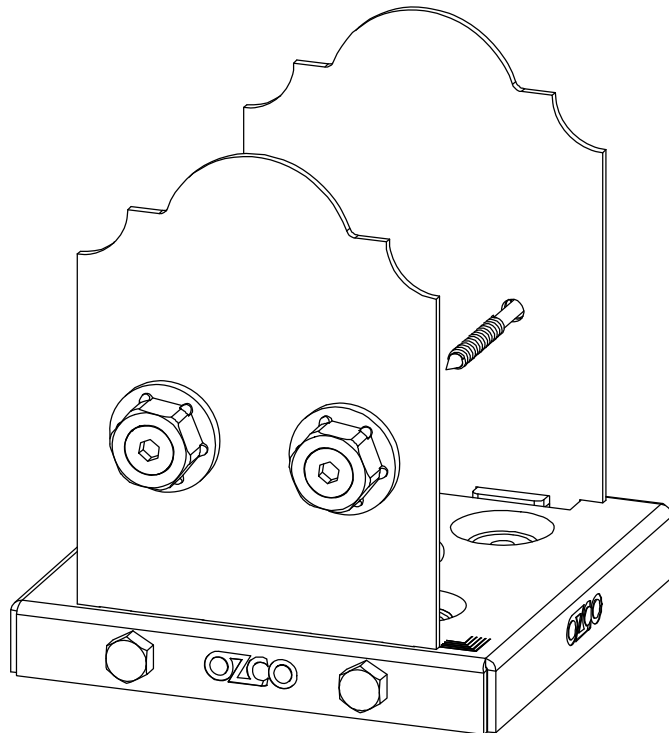
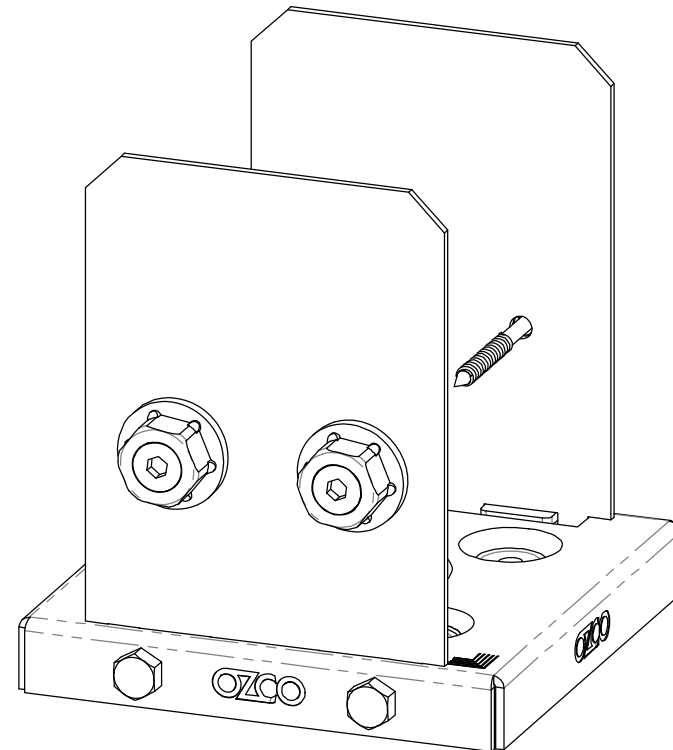


Installation Instructions, Lite Post Bases

54207 Lite 4X4 Post Base (4X4-PB-LSL) / 52107 Lite 4X4 Post Base (4X4-PB-IWL)
 54208 Lite 6X6 Post Base (6X6-PB-LSL) / 52108 Lite 6X6 Post Base (6X6-PB-IWL)
 54209 Lite 8X8 Post Base (8X8-PB-LSL) / 52109 Lite 8X8 Post Base (8X8-PB-IWL)



6x6 Laredo Sunset



6x6 Ironwood

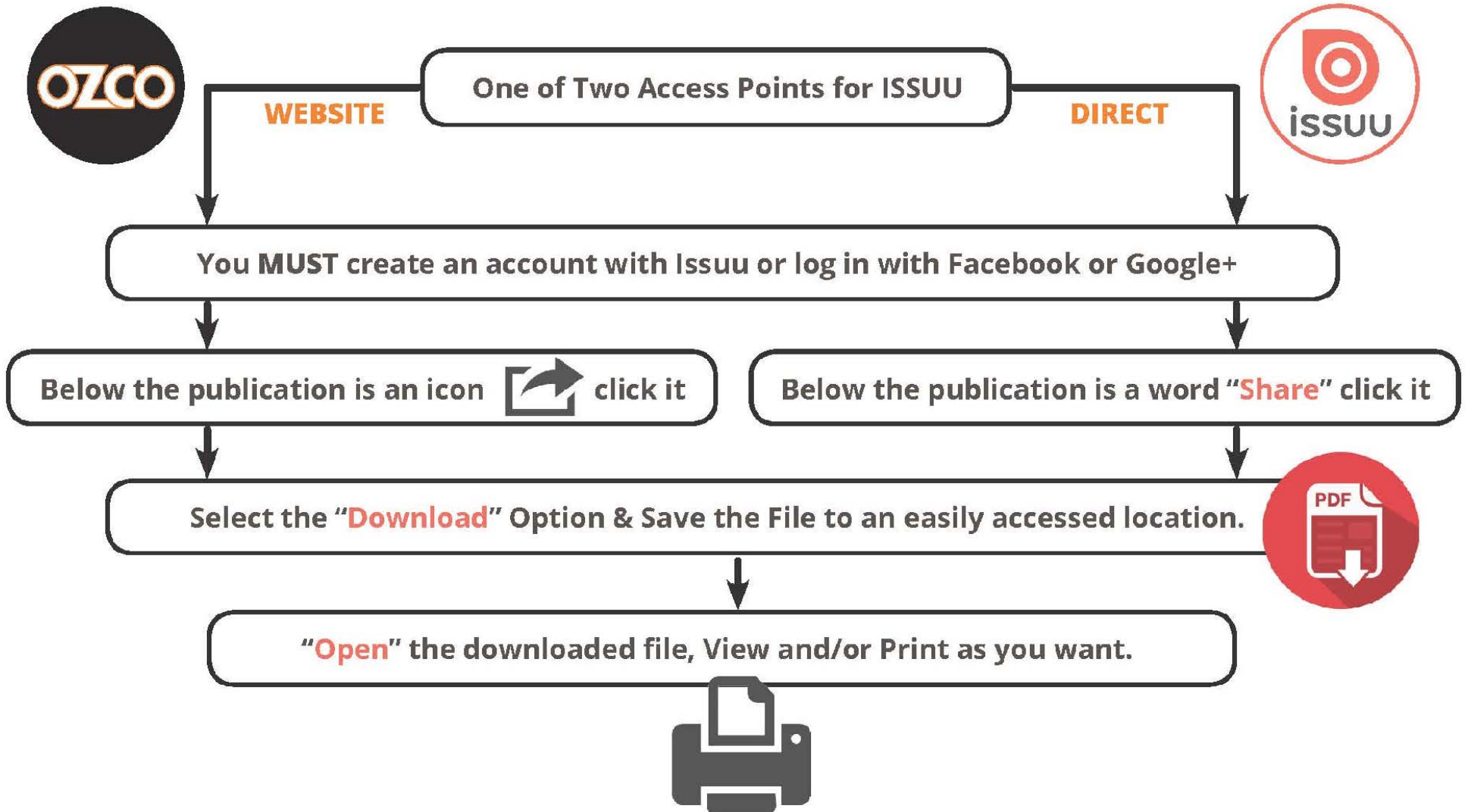


OZCO BUILDING PRODUCTS ■■■



Printing Documents from ISSUU

Unfortunately, there is currently no way to print content directly through issuu. To print a publication, you will need to download it and print it from your computer.



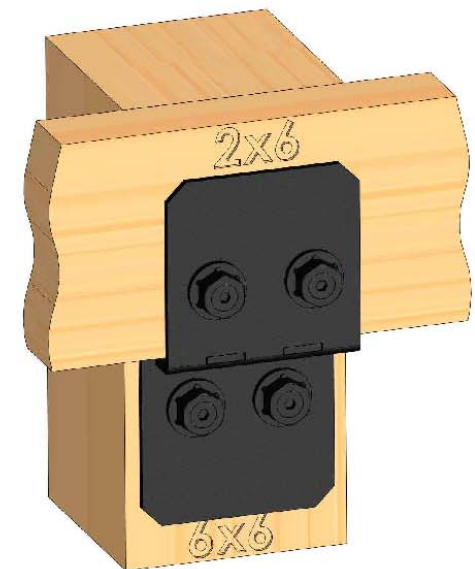
Laredo Sunset & Ironwood



Laredo Sunset
(566XX series)

2 great styles
Same functionality
choose your
connection lifestyle

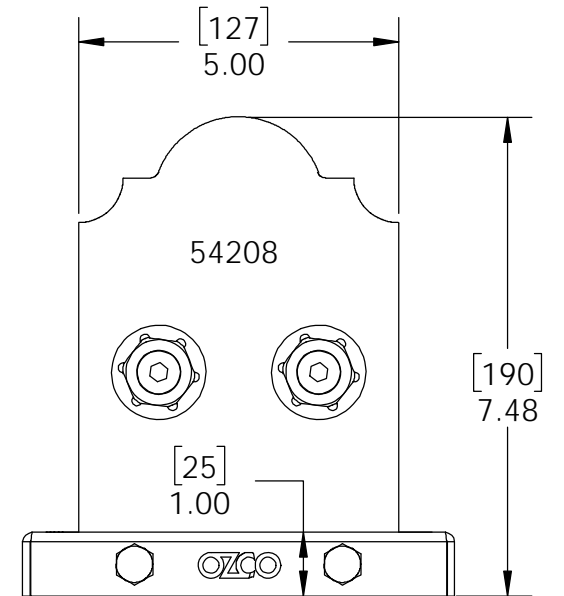
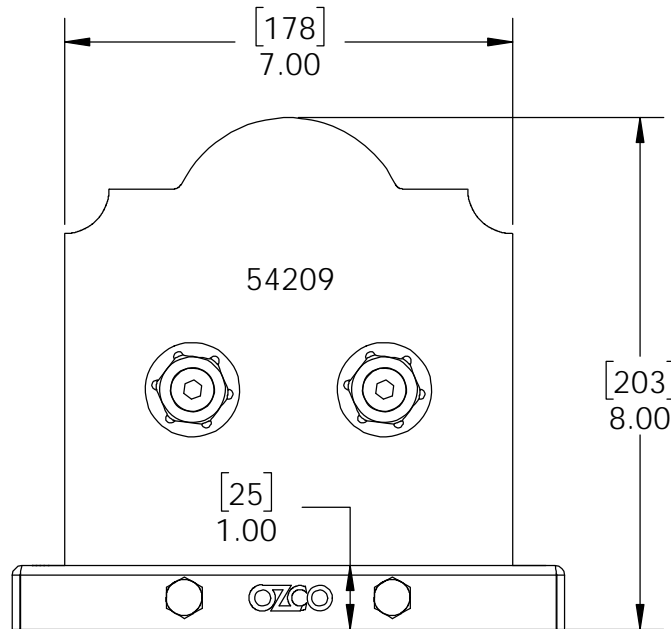
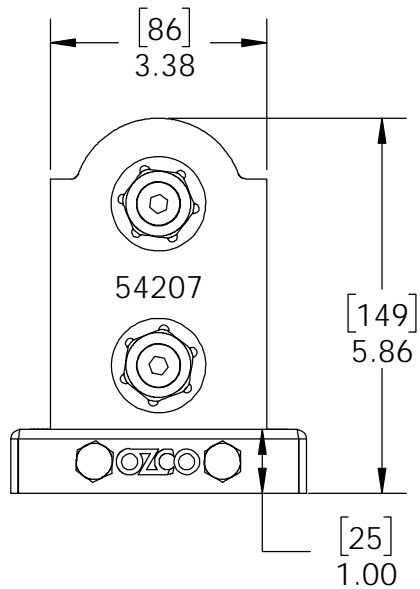
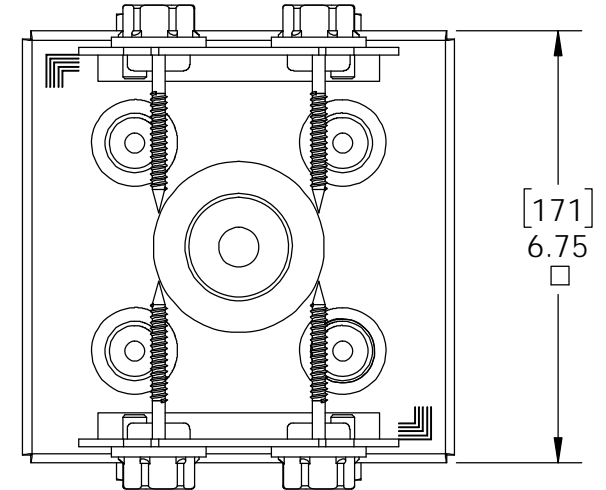
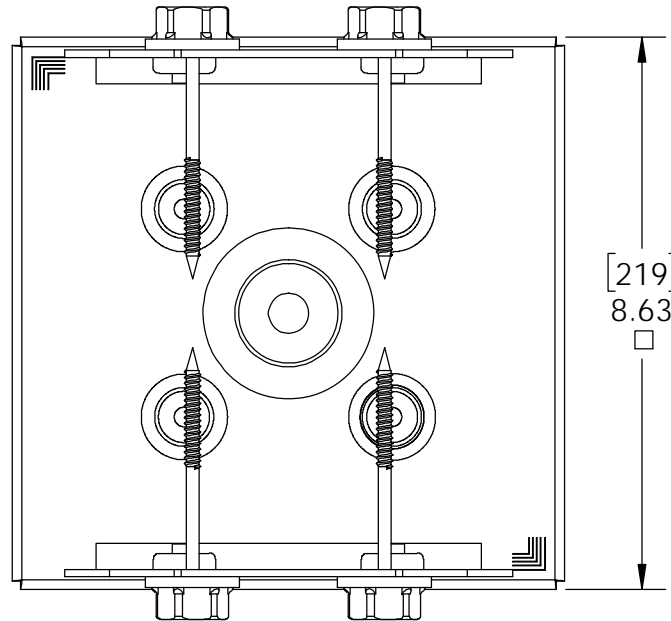
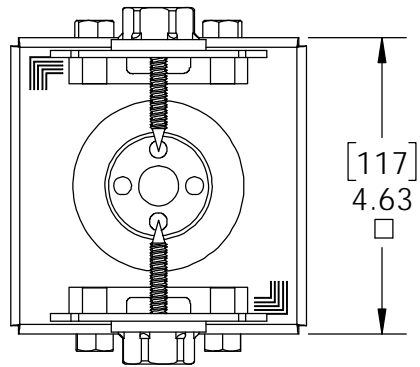
both styles available for
most products



Ironwood
(517XX series)

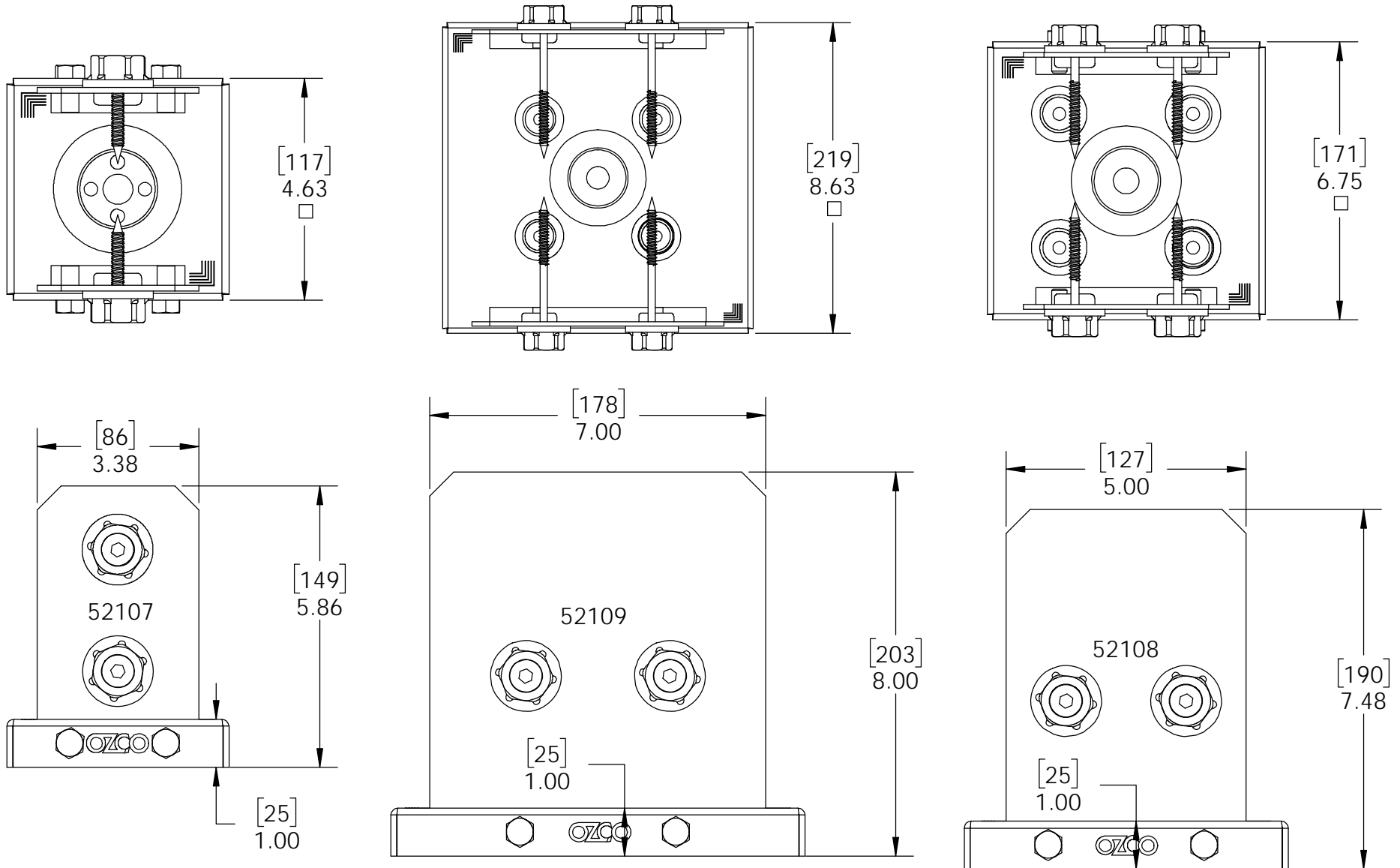


OZCO BUILDING PRODUCTS ■ ■ ■ ■

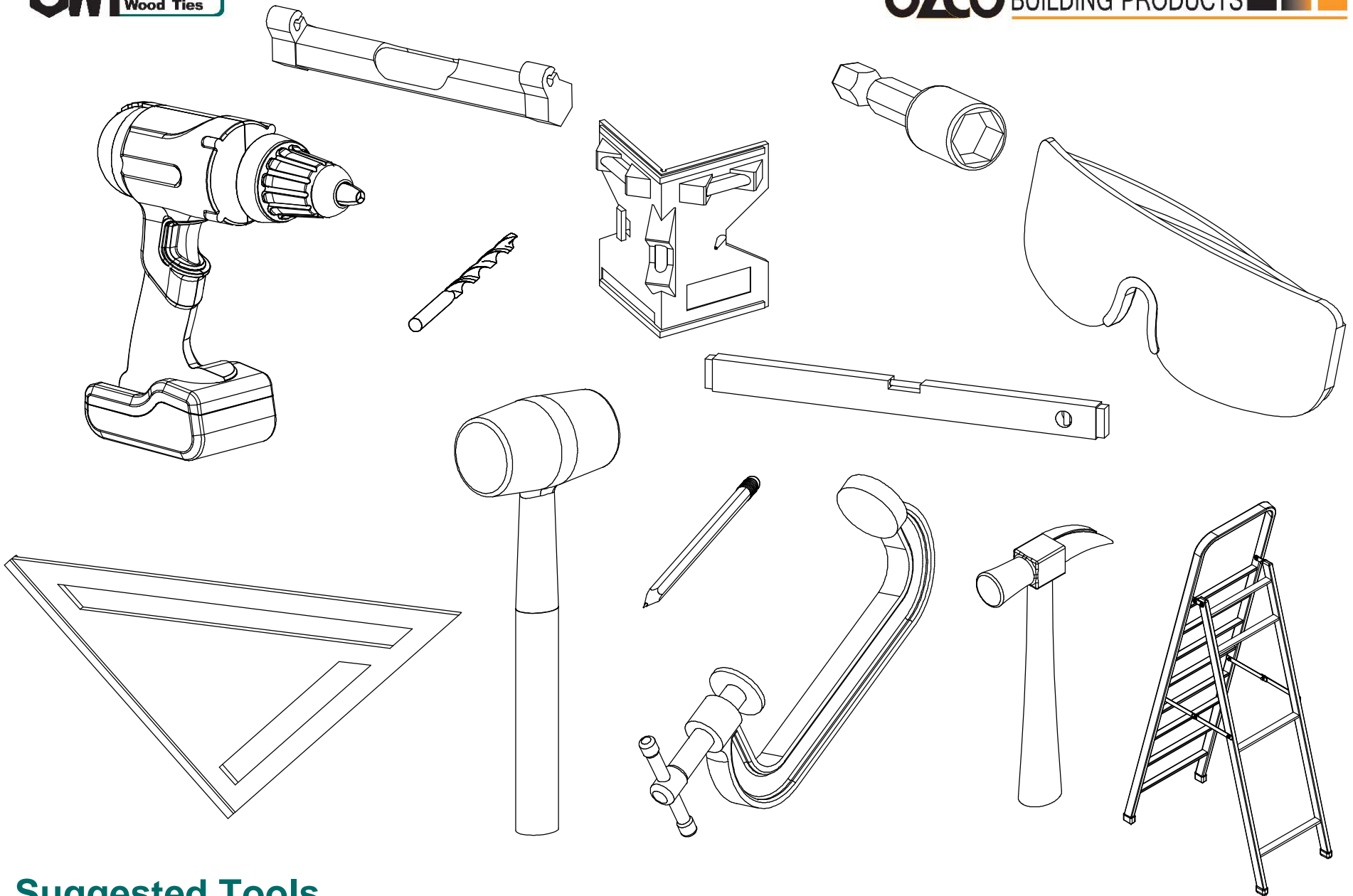


Laredo Sunset Overview

Installation Instructions, Lite Post Bases

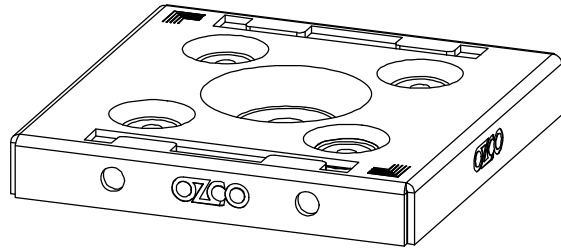


Ironwood Overview
Installation Instructions, Lite Post Bases



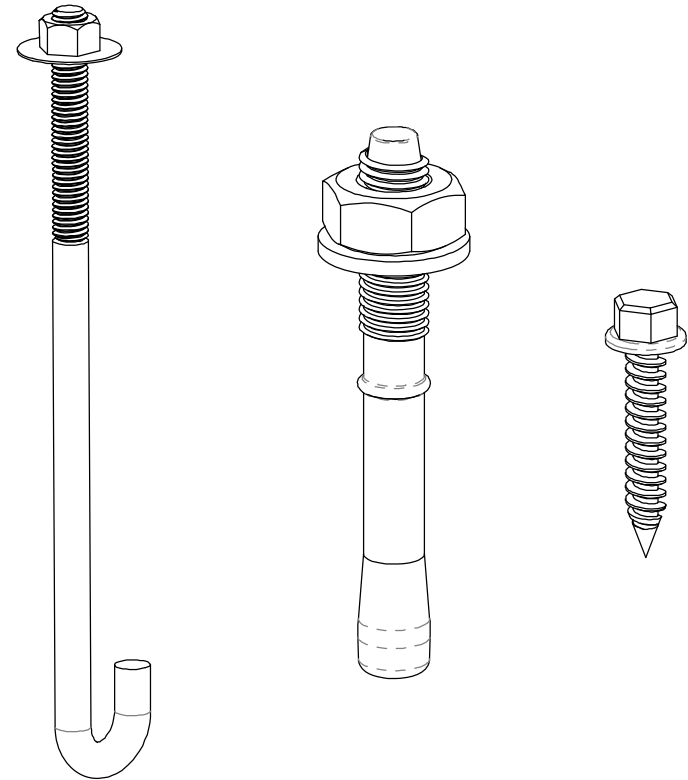
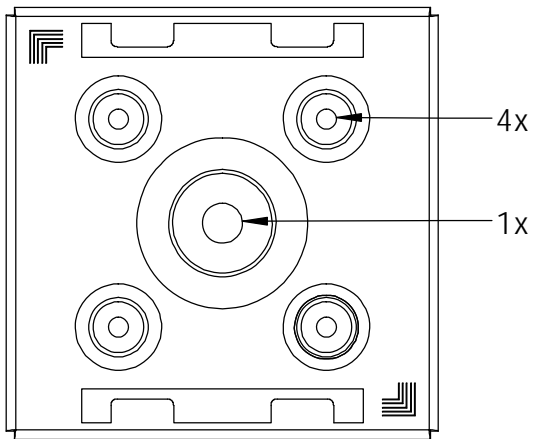
Suggested Tools
(others may be required)

Installation Instructions, Lite Post Bases



mount base to surface

6x6 shown



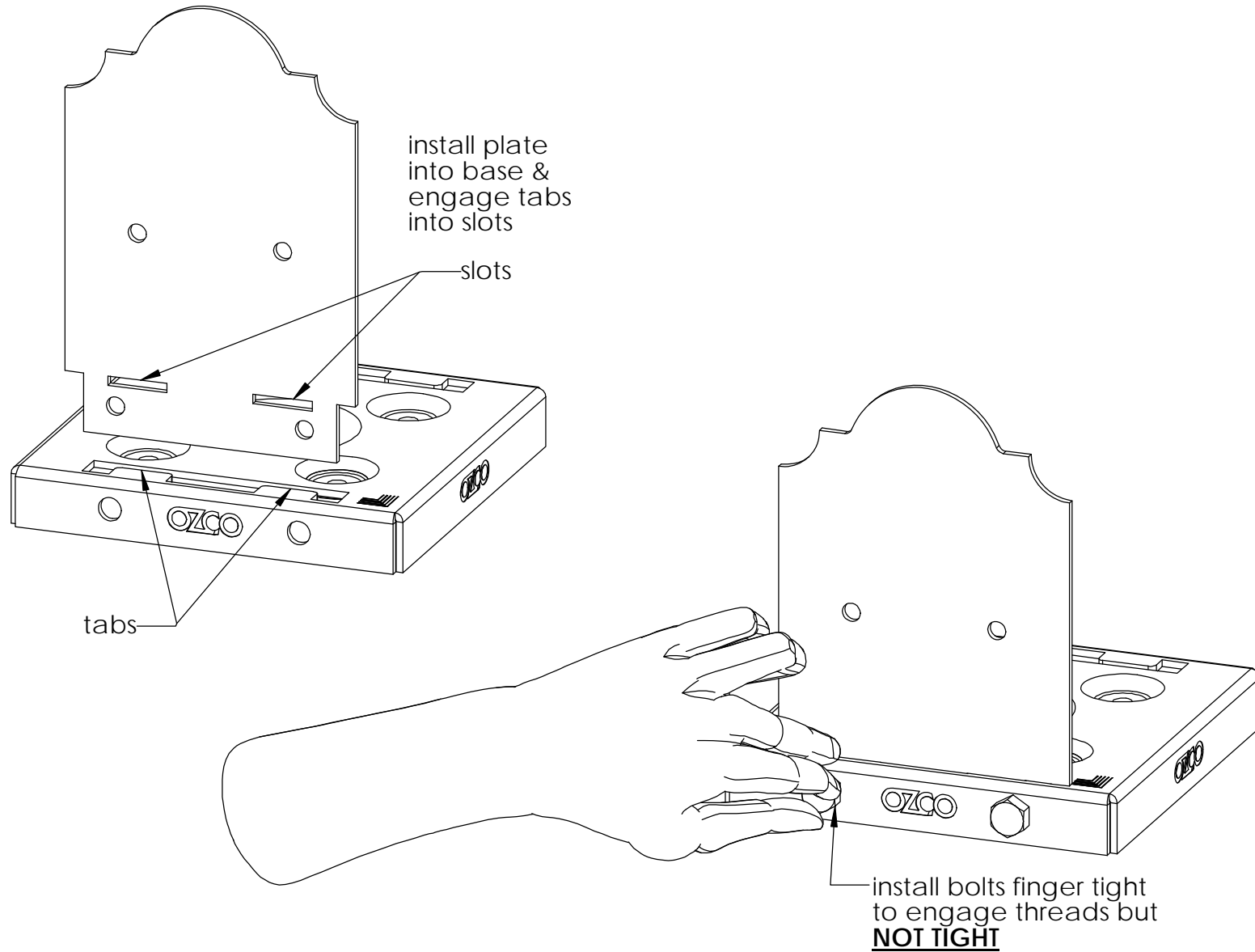
choose fastener that suits your application

step 1

Installation Instructions, Lite Post Bases

6x6 Laredo Sunset shown-same process for other sizes

V2.00 - Installation Instructions, Specifications and Project Plans are effective 1/8/2018 . This information is updated periodically and should not be relied upon after 2 years from 1/8/2018 . Please visit OZCOBP.com to get current information.

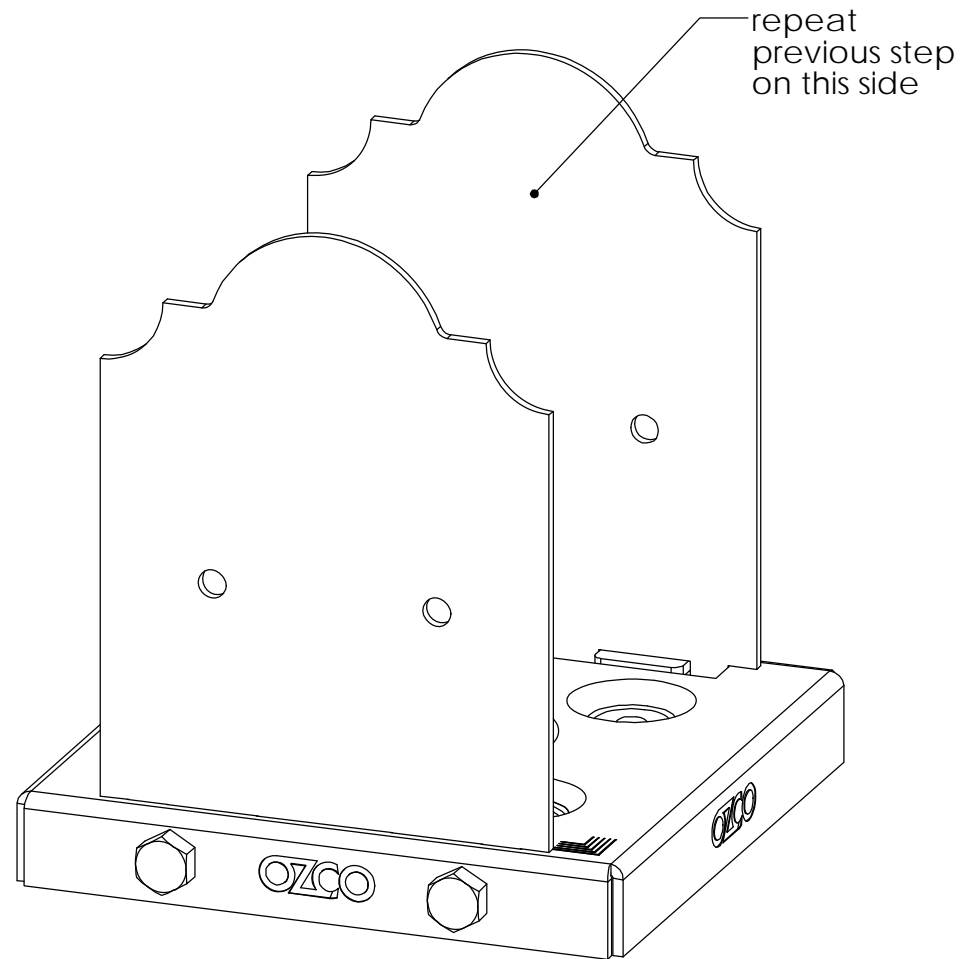


step 2

Installation Instructions, Lite Post Bases

6x6 Laredo Sunset shown-same process for other sizes

V2.00 - Installation Instructions, Specifications and Project Plans are effective 1/8/2018 . This information is updated periodically and should not be relied upon after 2 years from 1/8/2018 . Please visit OZCOBP.com to get current information.

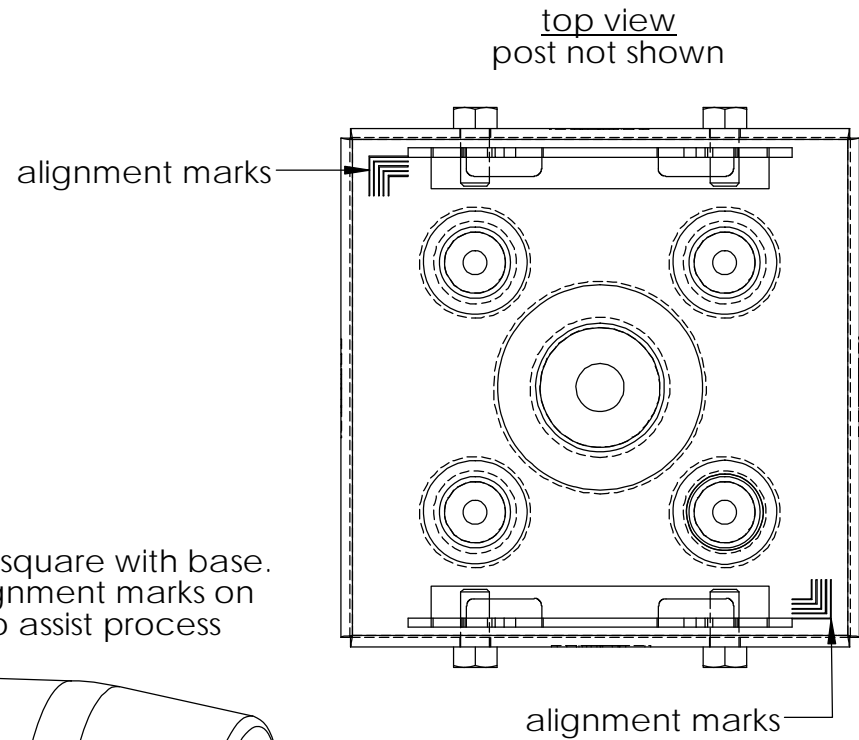
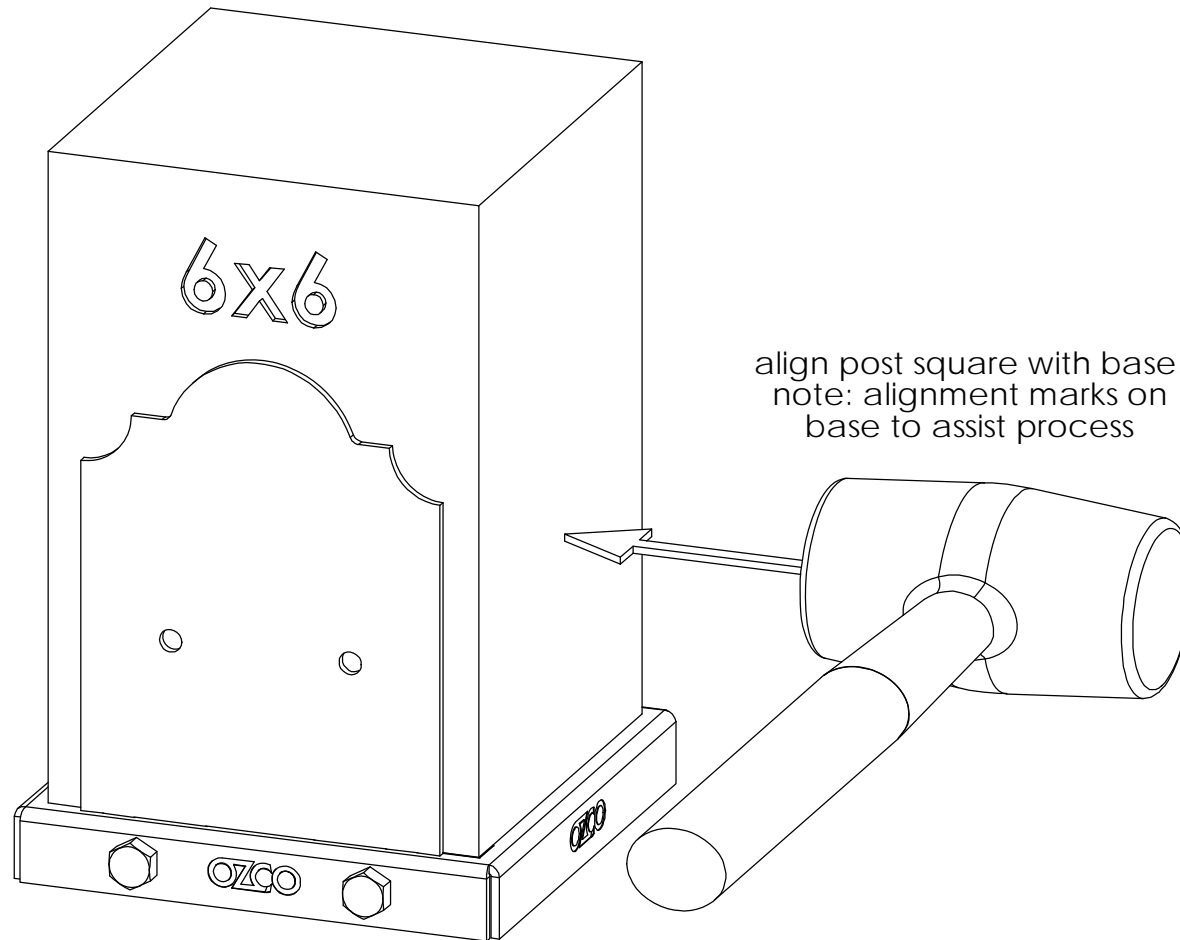


step 3

Installation Instructions, Lite Post Bases

6x6 Laredo Sunset shown-same process for other sizes

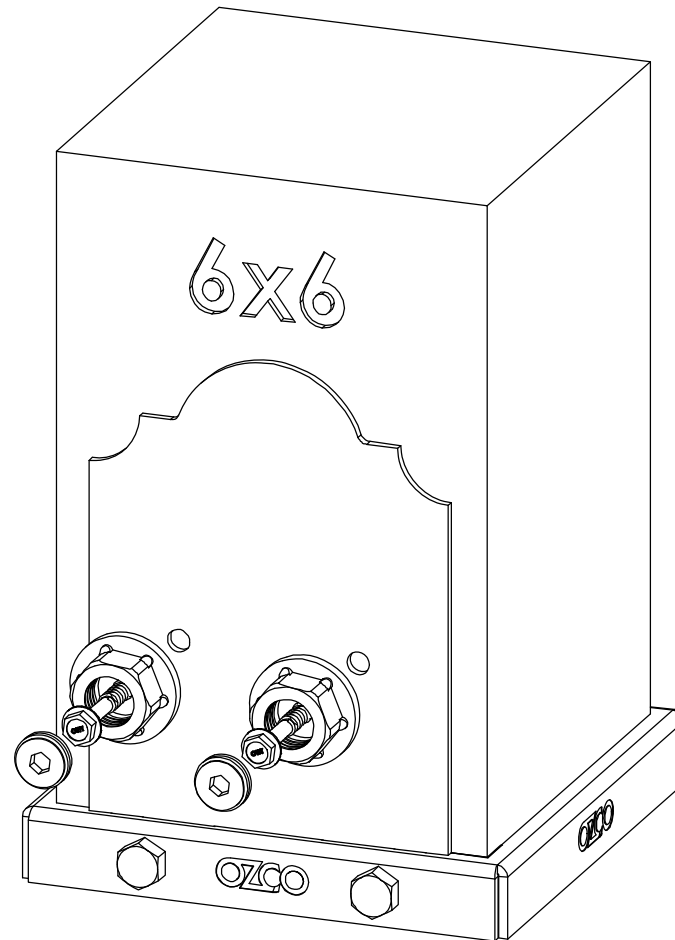
V2.00 - Installation Instructions, Specifications and Project Plans are effective 1/8/2018 . This information is updated periodically and should not be relied upon after 2 years from 1/8/2018 . Please visit OZCOBP.com to get current information. 9



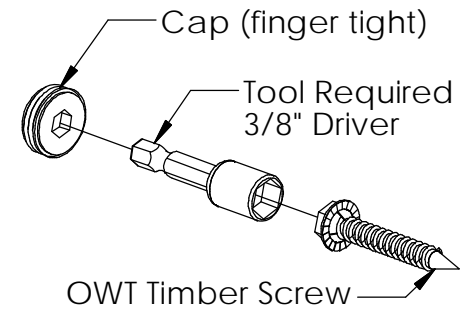
step 4

Installation Instructions, Lite Post Bases

6x6 Laredo Sunset shown-same process for other sizes
V2.00 - Installation Instructions, Specifications and Project Plans are effective 1/8/2018 . This information is updated periodically
and should not be relied upon after 2 years from 1/8/2018 . Please visit OZCOBP.com to get current information.



repeat on opposite side

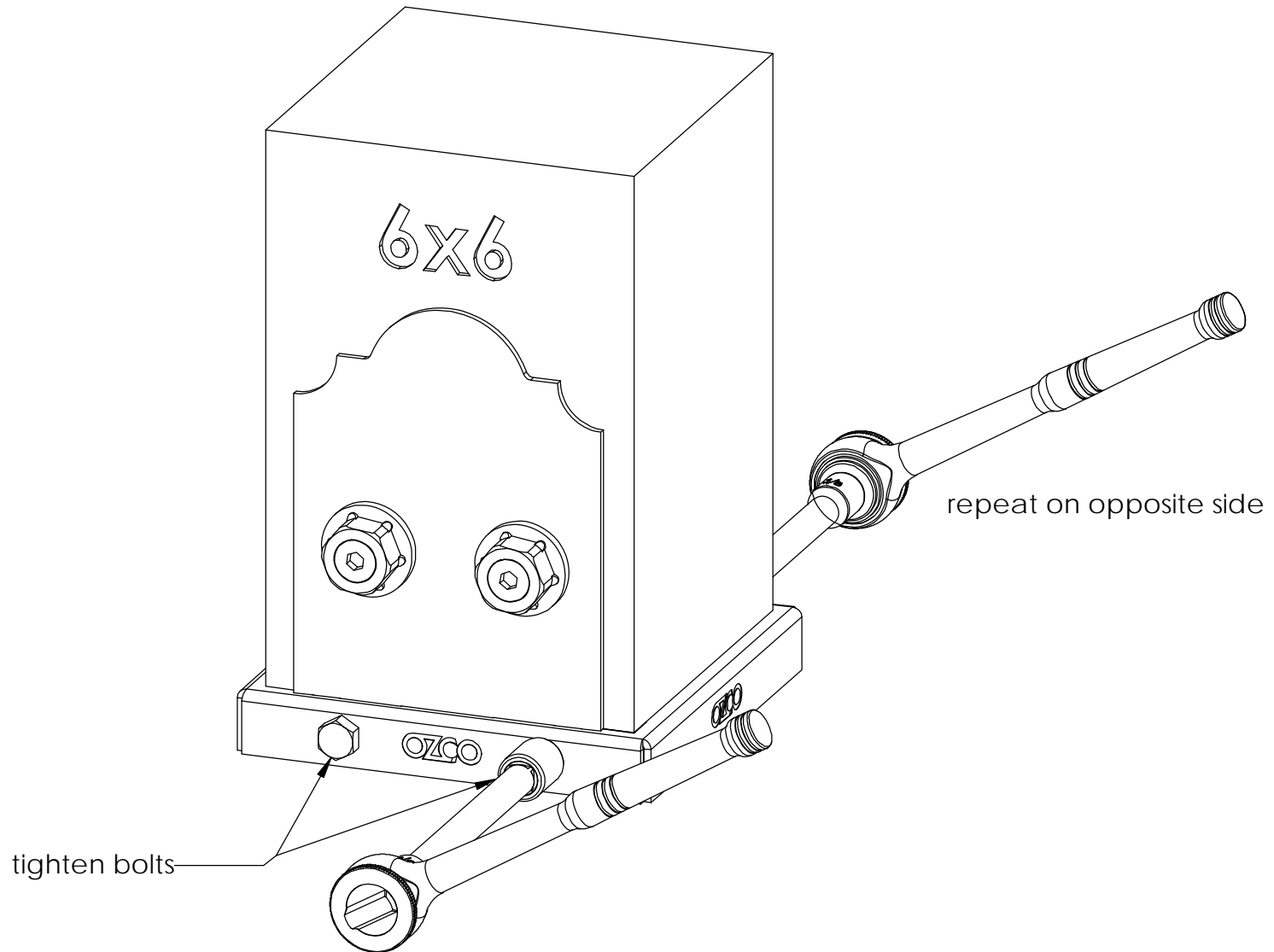


step 5

Installation Instructions, Lite Post Bases

6x6 Laredo Sunset shown-same process for other sizes

V2.00 - Installation Instructions, Specifications and Project Plans are effective 1/8/2018 . This information is updated periodically and should not be relied upon after 2 years from 1/8/2018 . Please visit OZCOBP.com to get current information.



step 6

Installation Instructions, Lite Post Bases

6x6 Laredo Sunset shown-same process for other sizes

V2.00 - Installation Instructions, Specifications and Project Plans are effective 1/8/2018 . This information is updated periodically and should not be relied upon after 2 years from 1/8/2018 . Please visit OZCOBP.com to get current information.