

DESIGN

PURCHASE

CONSTRUCT

ENJOY

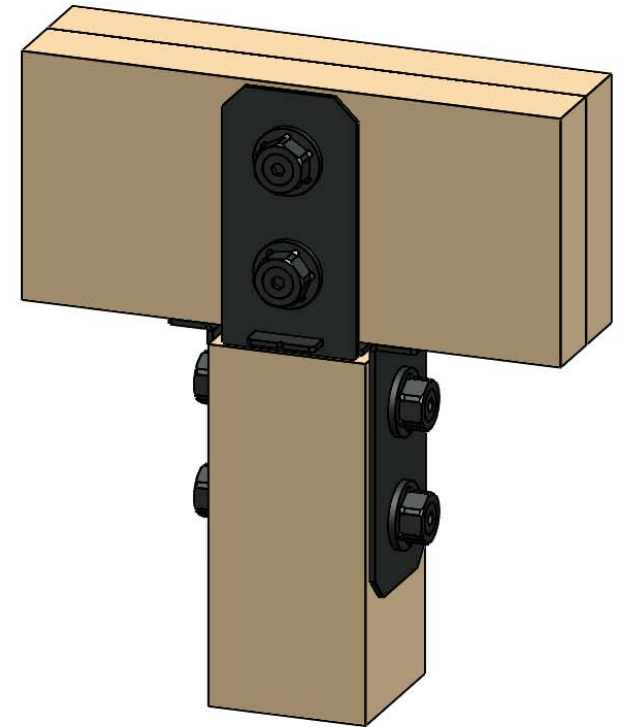
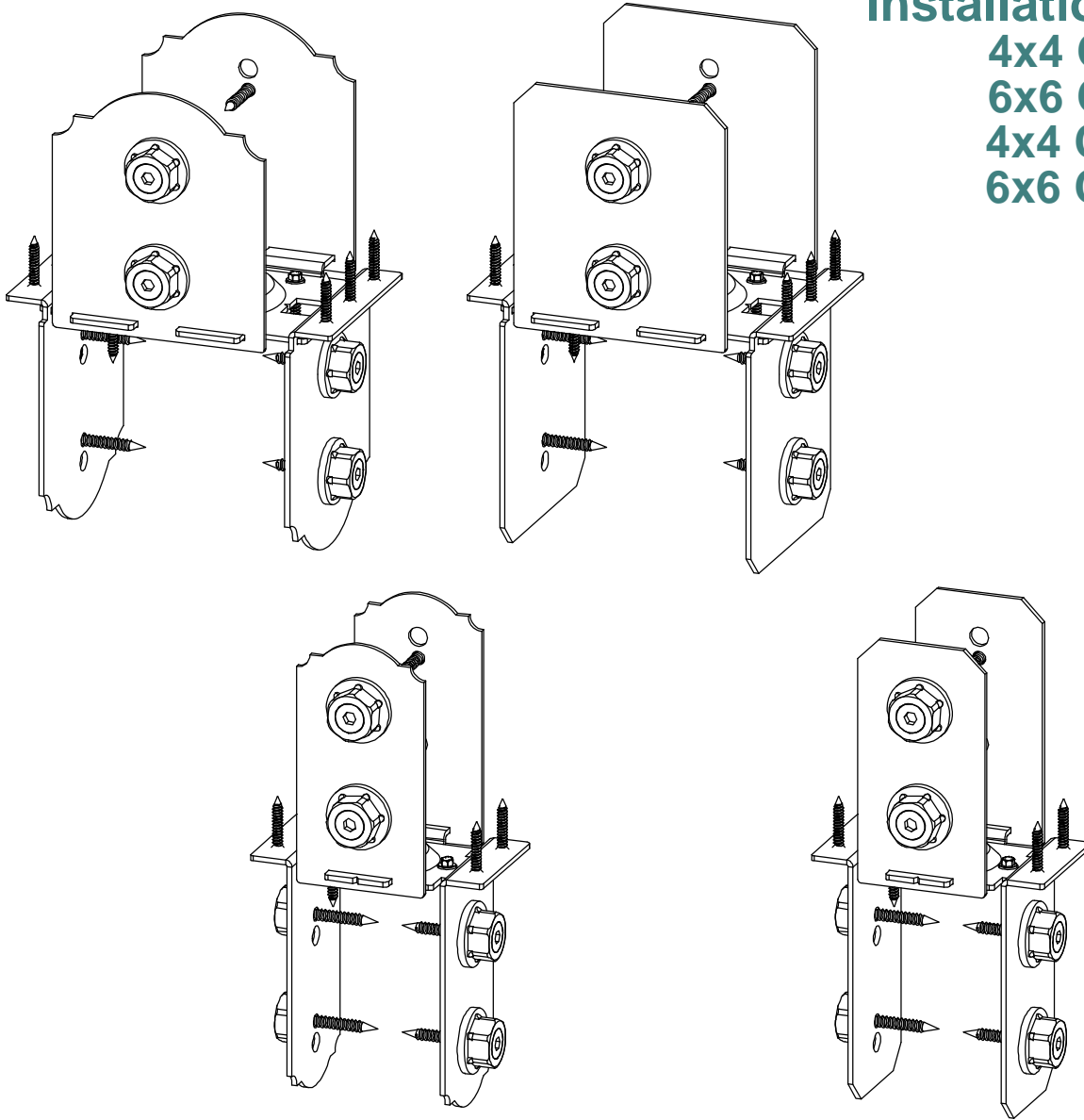
Installation Instructions, Column Caps

4x4 Column Cap (4X4-CAP-IW) 51778

6x6 Column Cap (6X6-CAP-IW) 51779

4x4 Column Cap (4X4-CAP-LS) 56778

6x6 Column Cap (6X6-CAP-LS) 56779



51778 shown with
4x4 post 2x6 beams

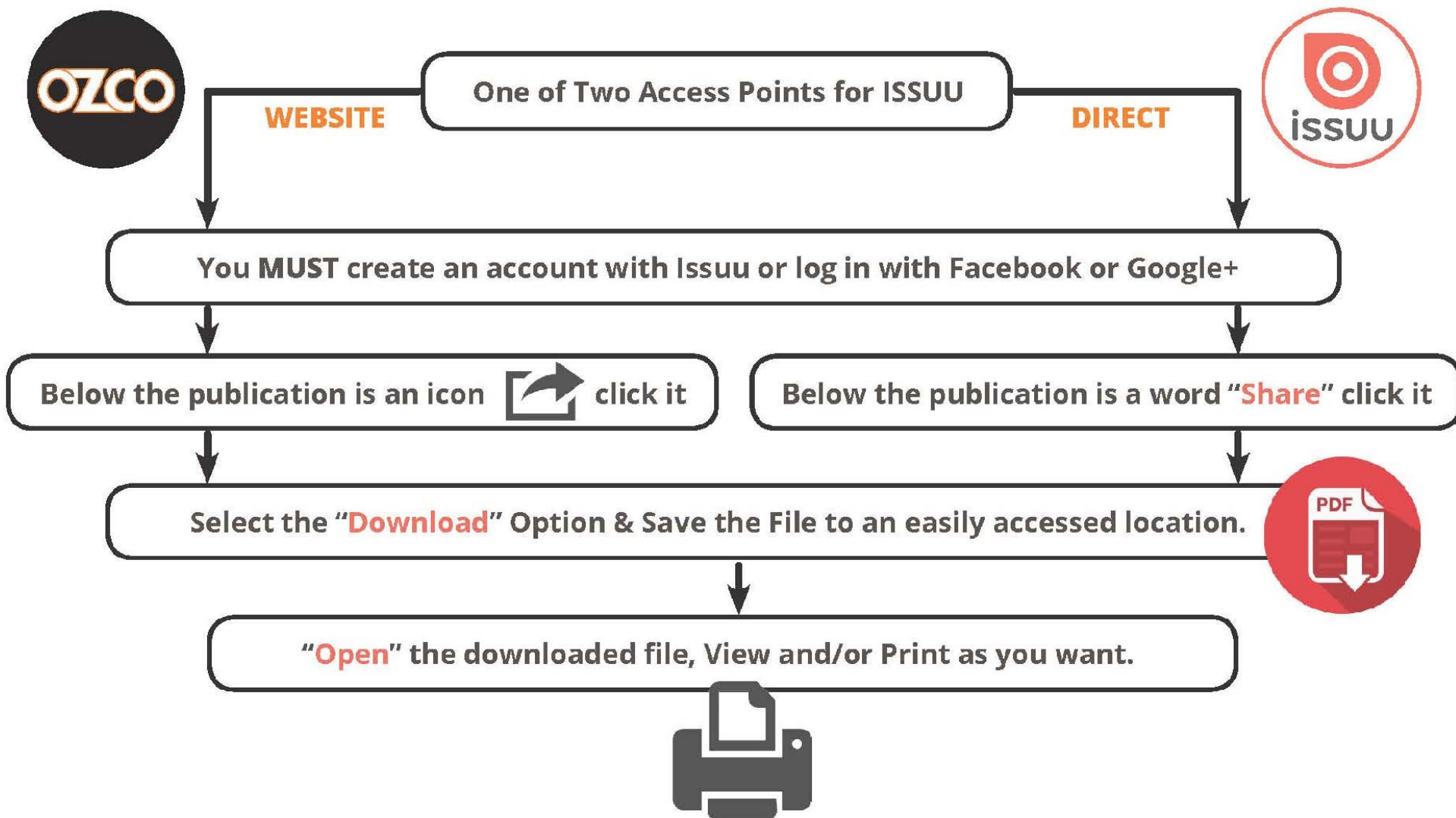


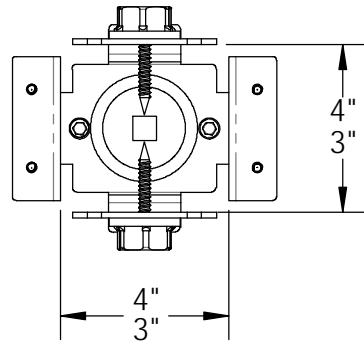
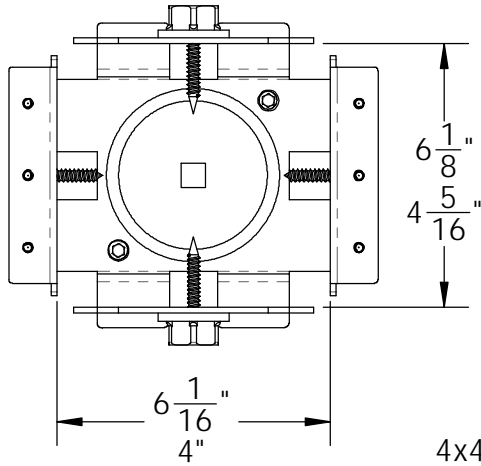
OZCO BUILDING PRODUCTS



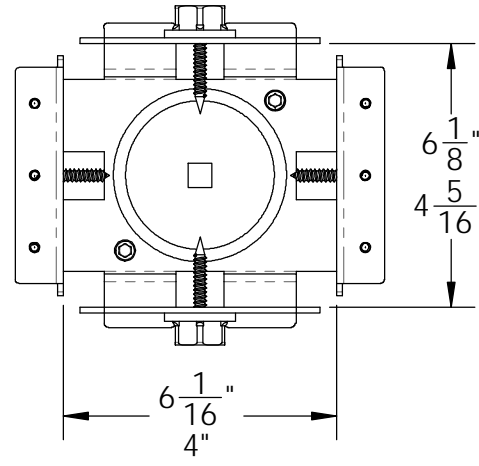
Printing Documents from ISSUU

Unfortunately, there is currently no way to print content directly through issuu. To print a publication, you will need to download it and print it from your computer.

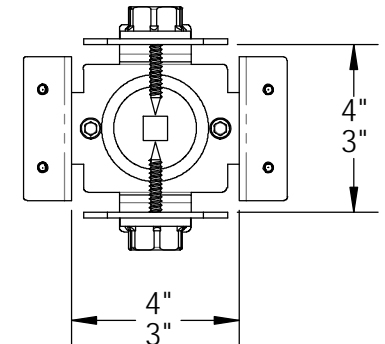




4x4 Column Cap (4X4-CAP-LS)
56678

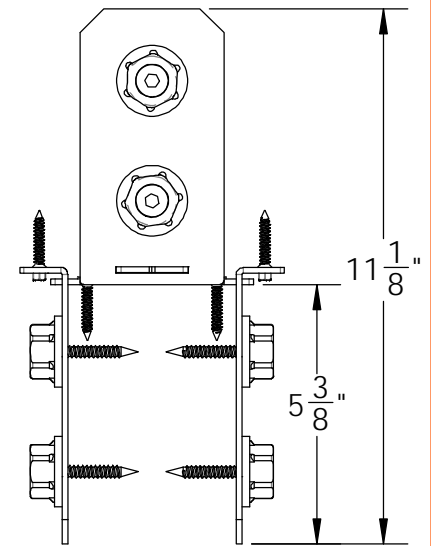
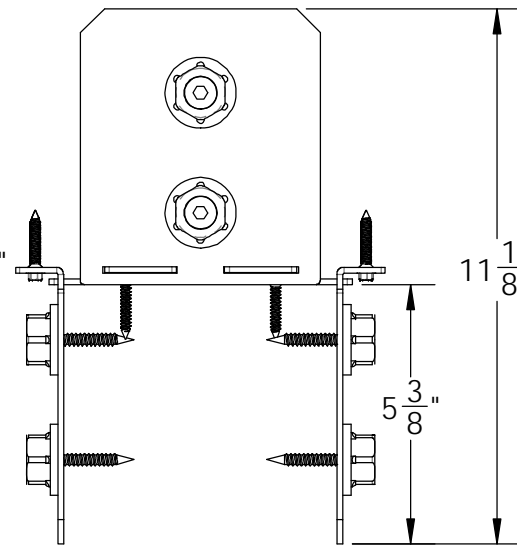
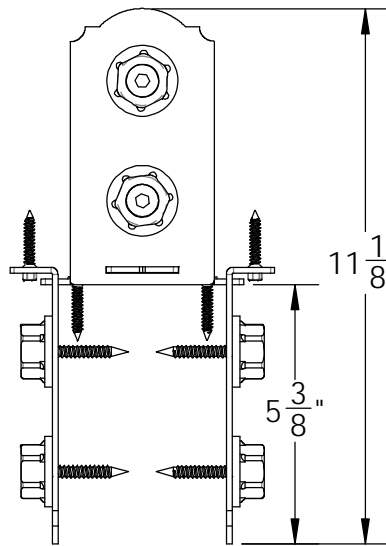
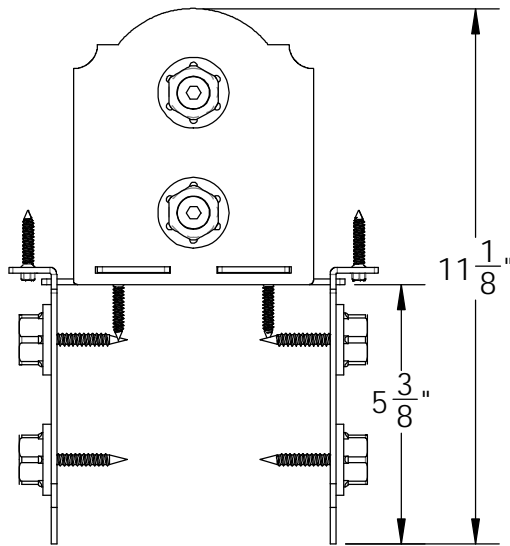


6x6 Column Cap (6X6-CAP-IW)
51779



4x4 Column Cap (4X4-CAP-IW)
51778

6x6 Column Cap (6X6-CAP-LS)
56679



Overview

Installation Instructions, Column Caps

this instruction illustrates 4x4 Column Cap; same procedure for 6x6 with additional screws

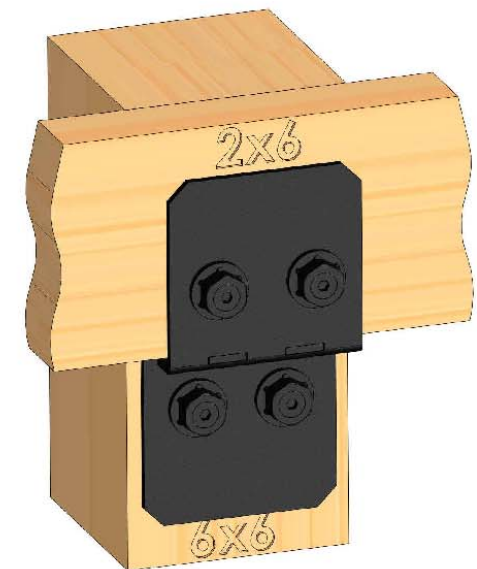
Laredo Sunset & Ironwood



Laredo Sunset
(566XX series)

2 great styles
Same functionality
choose your
connection lifestyle

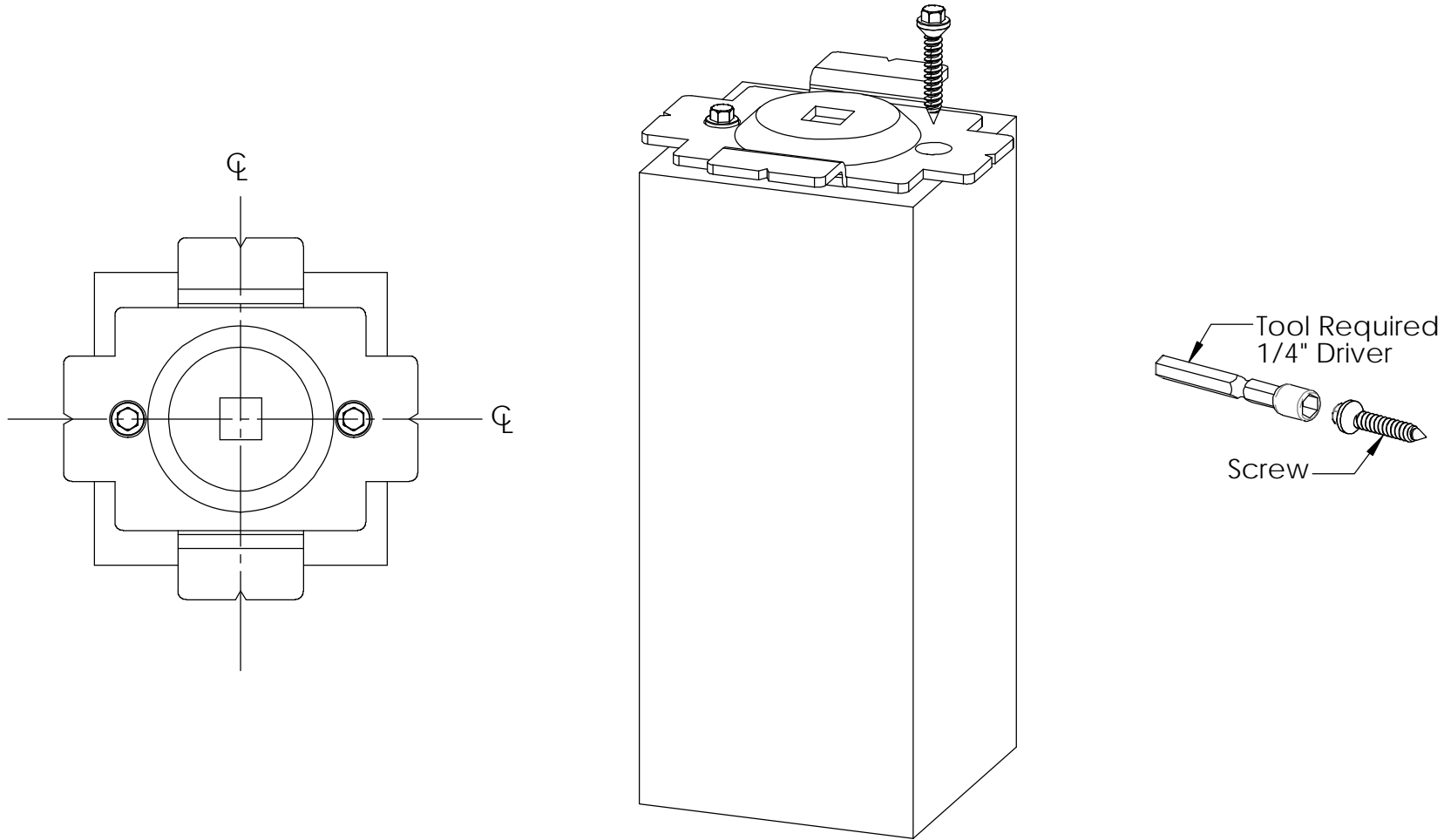
both styles available for
most products



Ironwood
(517XX series)

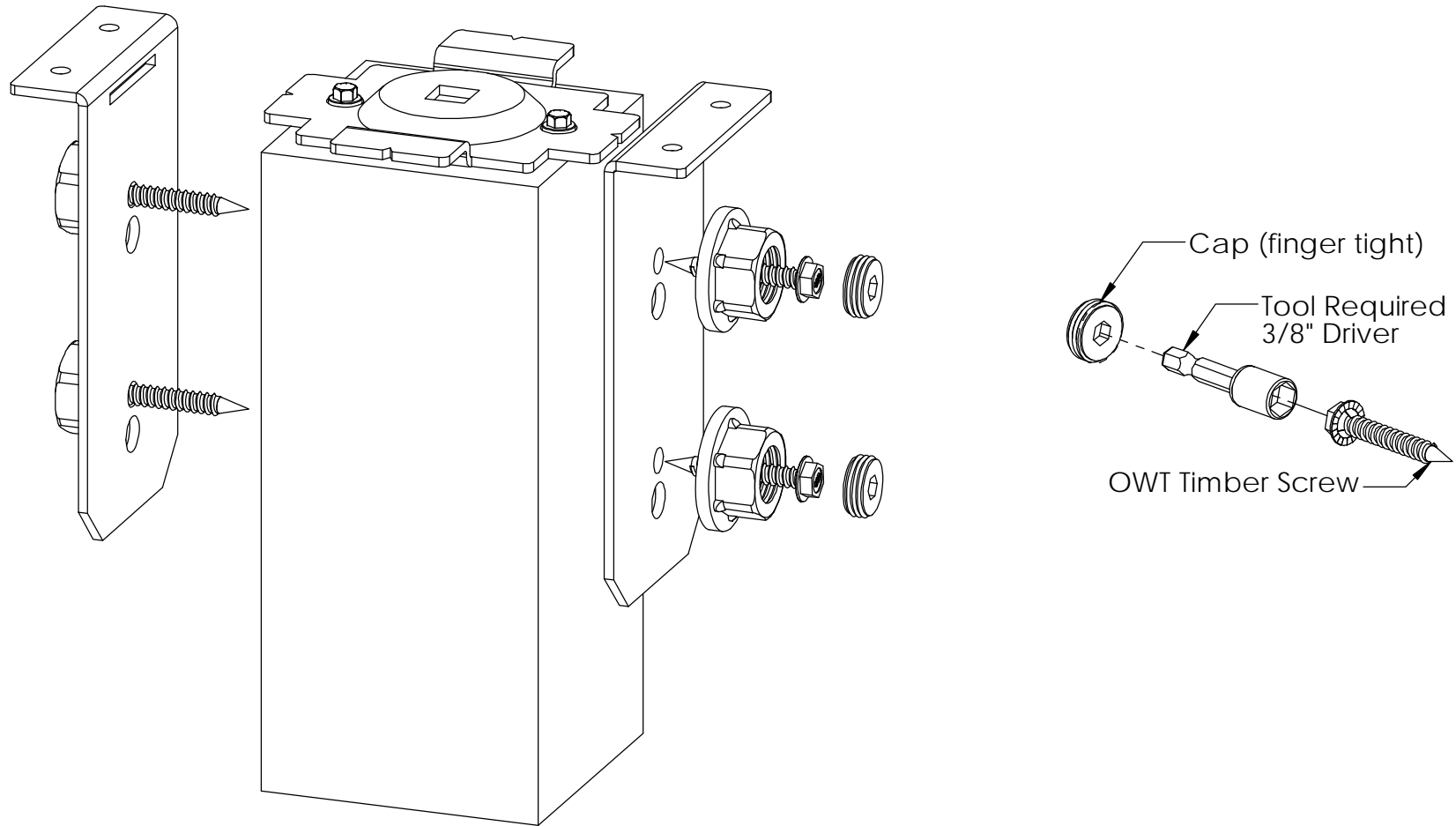


this instruction illustrates 4x4 Column Cap; same procedure for 6x6 with additional screws



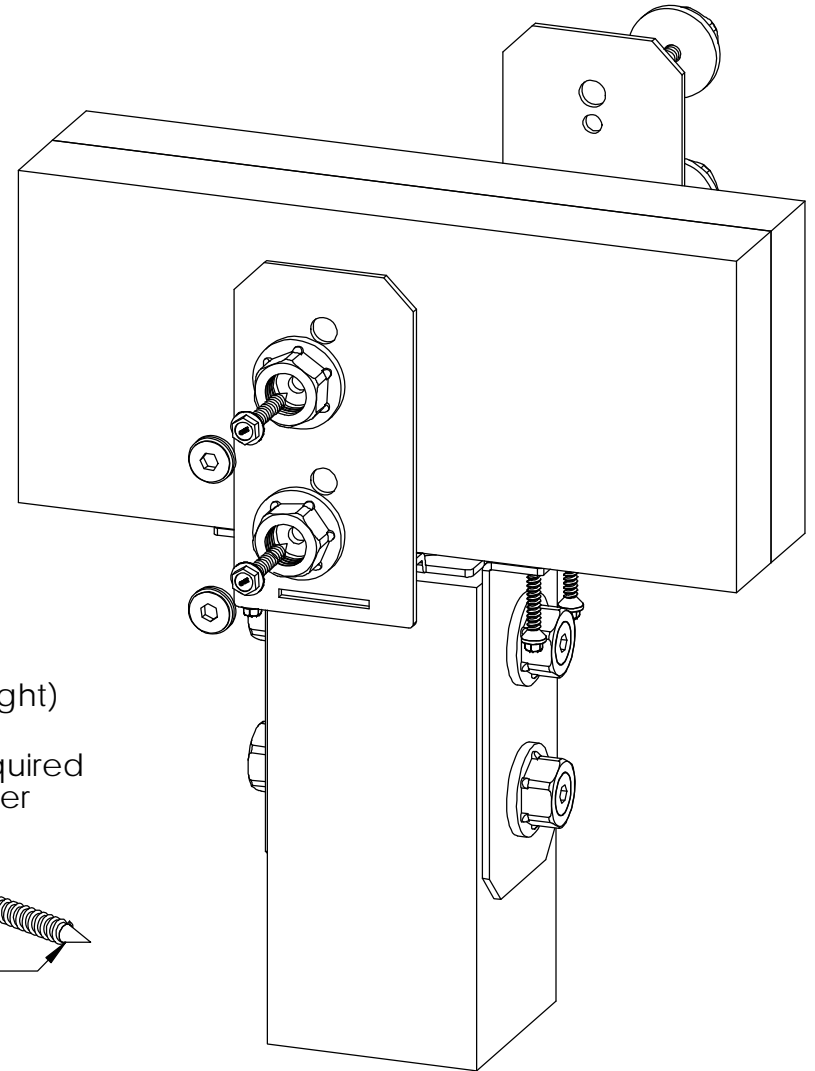
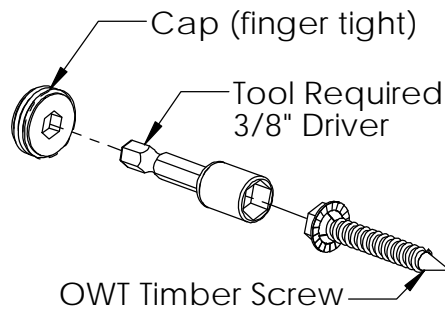
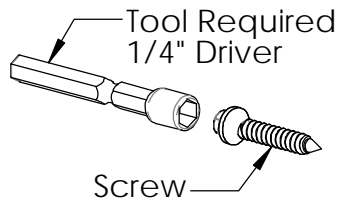
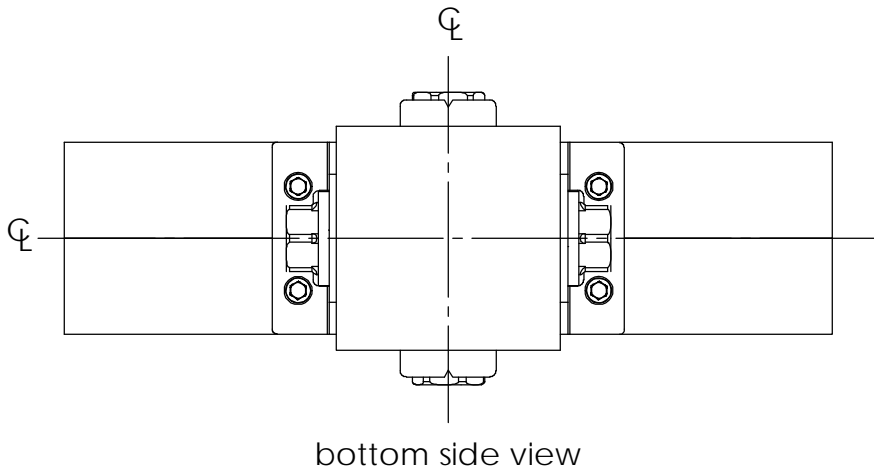
Typical Installation step 1

this instruction illustrates 4x4 Column Cap; same procedure for 6x6 with additional screws



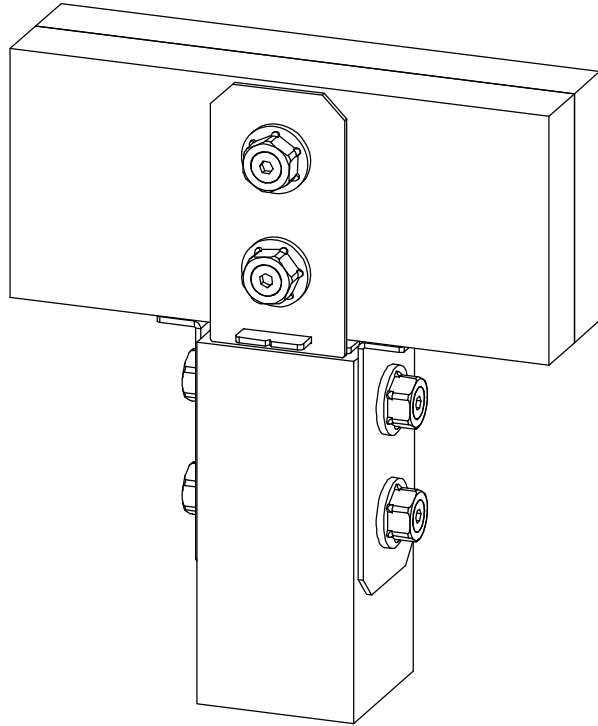
Typical Installation step 2

this instruction illustrates 4x4 Column Cap; same procedure for 6x6 with additional screws

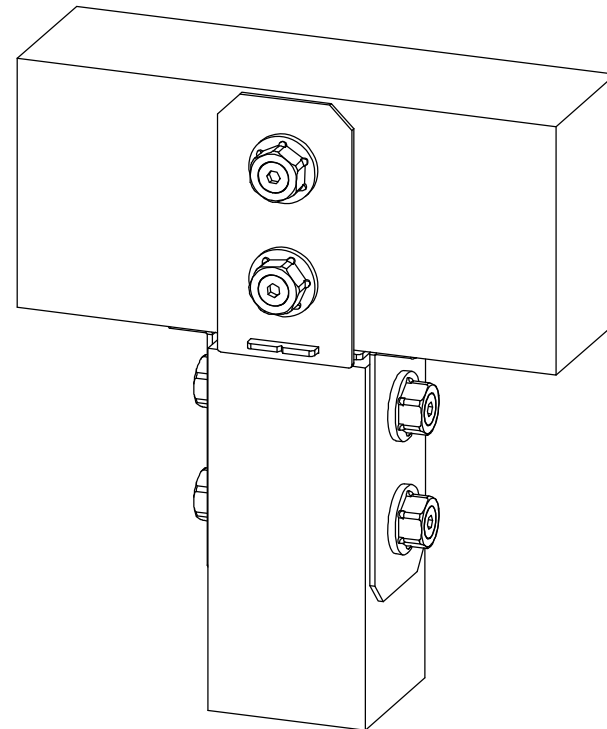


Typical Installation step 3

this instruction illustrates 4x4 Column Cap; same procedure for 6x6 with additional screws

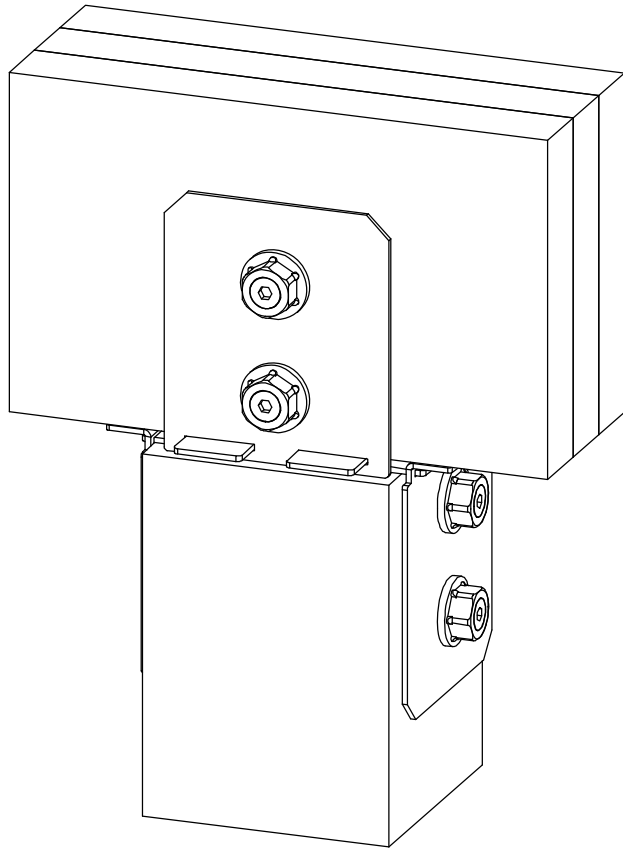


4x4 post 2x6 beams

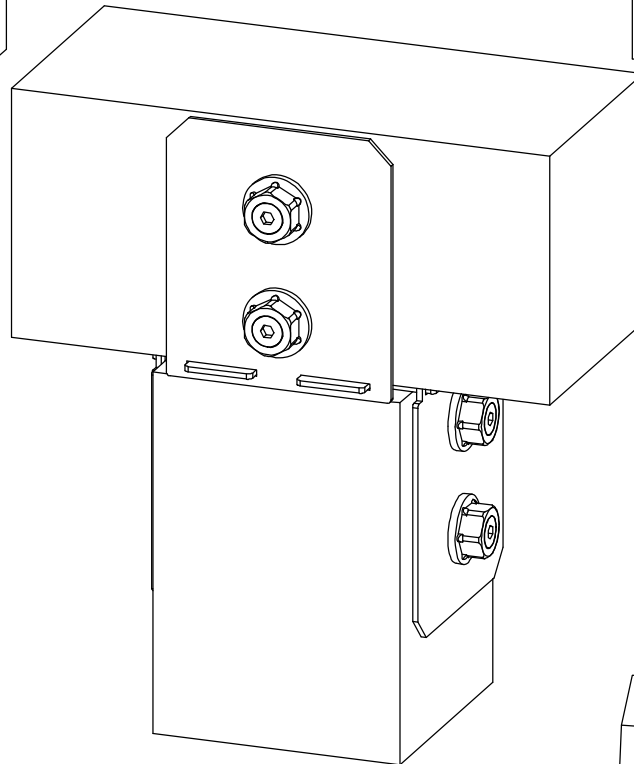


4x4 Post 4x6 Beam

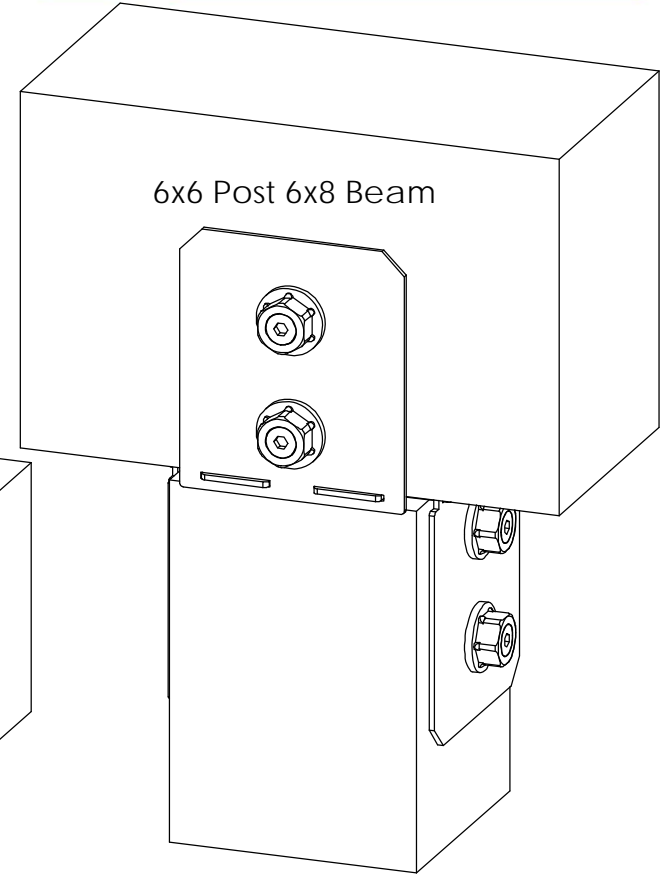
Applications: 51778 (shown) & 56678



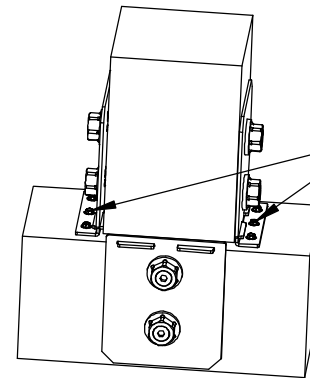
6x6 post 2x8 beams



6x6 Post 6x6 Beam



6x6 Post 6x8 Beam



6x6 has
additional
screws

Applications: 51779 (shown) & 56679

Installation Instructions, Column Caps

V2.00 - Installation Instructions, Specifications and Project Plans are effective 2/6/2018 . This information is updated periodically and should not be relied upon after 2 years from 2/6/2018 . Please visit OZCOBP.com to get current information.

this instruction illustrates 4x4 Column Cap; same procedure for 6x6 with additional screws