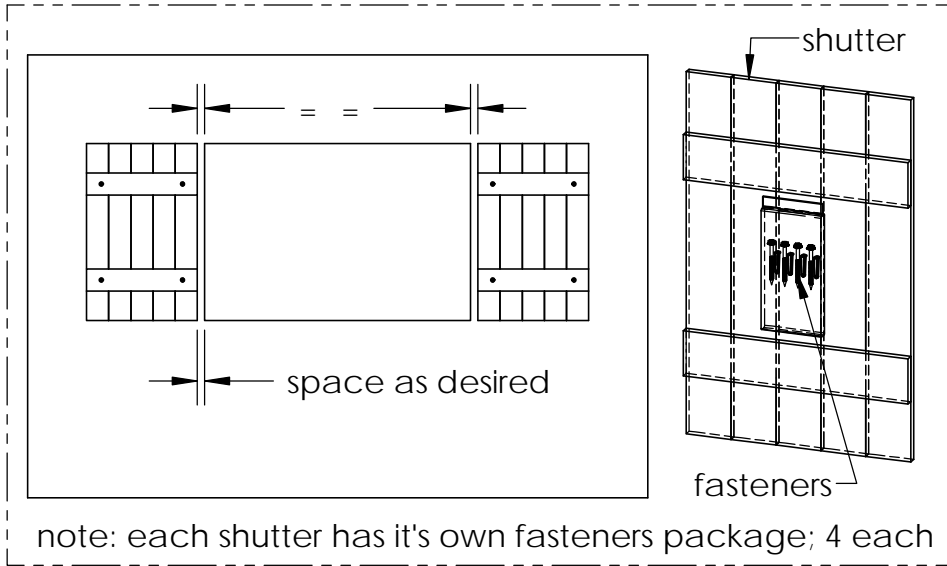
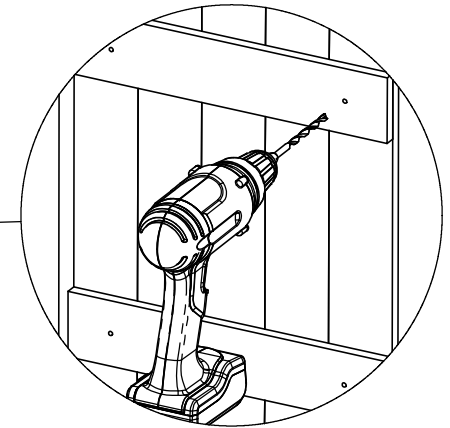
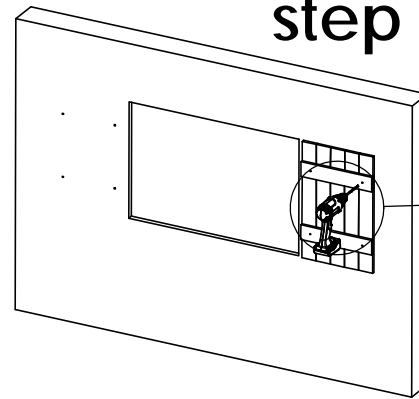


Installation Instructions, Shutter

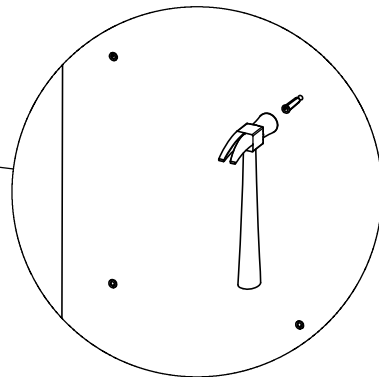
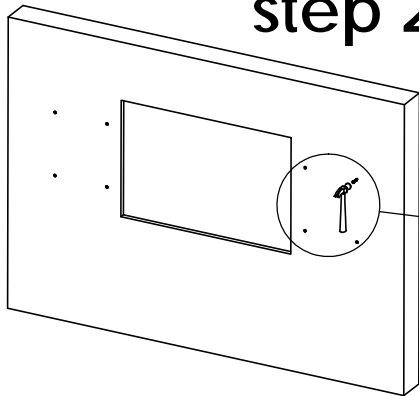


step 1



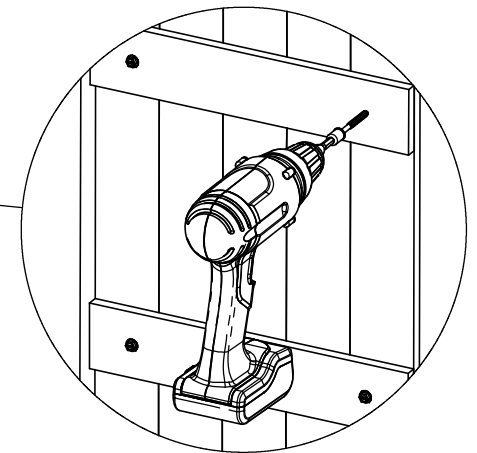
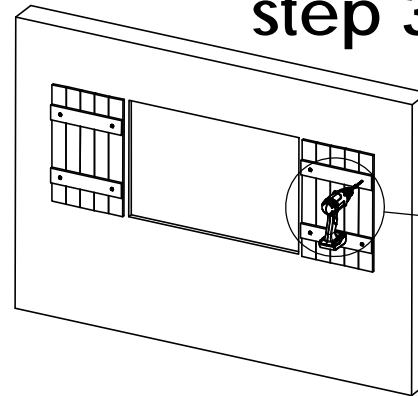
hold shutter in desired location & drill 4 mounting holes for each shutter with ϕ 1/4" bit

step 2



lightly tap wall anchors into holes flush to surface

step 3



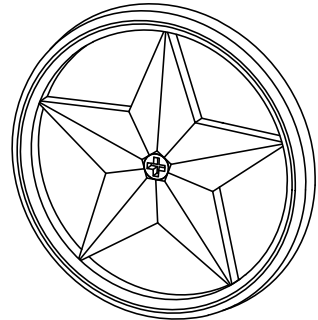
install screws

DESIGN

PURCHASE

CONSTRUCT

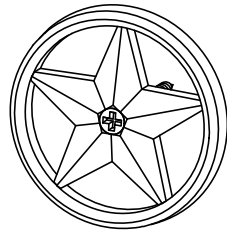
ENJOY



3-3/8" OD Star (STAR3.375)
56624

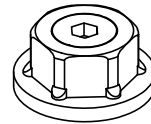


2-3/8" OD Star (STAR2.375)
56623

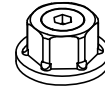


Dress up your Shutters with Accessories

(additional fasteners required for Cap Nuts)

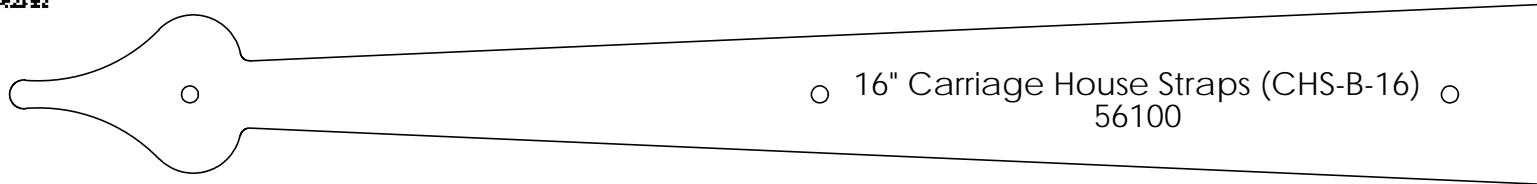
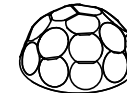


1-1/4" Hammered Dome
Cap (DCN)
56622

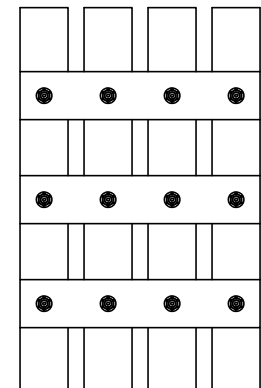
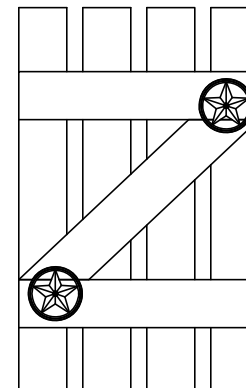
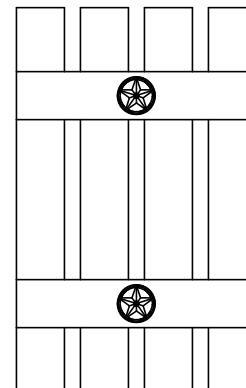
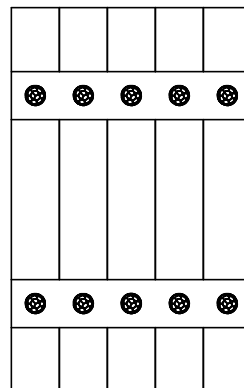
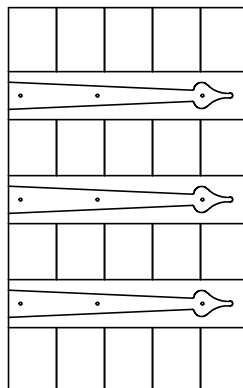
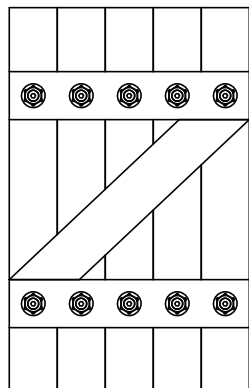


1" Hex Cap Nut (HCN-1)
56681

1.5" Hex Cap Nut (HCN)
56621



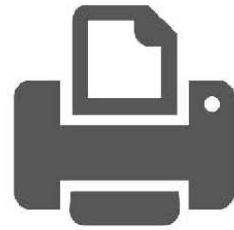
16" Carriage House Straps (CHS-B-16)
56100



Inspirational Idea's...

Installation Instructions, Shutter II





Printing Documents from ISSUU

Unfortunately, there is currently no way to print content directly through issuu. To print a publication, you will need to download it and print it from your computer.

