

**Models:** Oval Touch Dimmer ..... P/N: L-LED-OVLTD  
 Oval Door Sensor ..... P/N: L-LED-OVLDS  
 Oval Motion Sensor ..... P/N: L-LED-OVLMS  
 Oval Proximity Sensor ..... P/N: L-LED-OVLPS

**Color Availability:** Nickel, Black

# Installation Instructions

## Oval LED Controllers

### 27W Capacity 12VDC

#### READ ALL INSTRUCTIONS BEFORE INSTALLING SYSTEM.

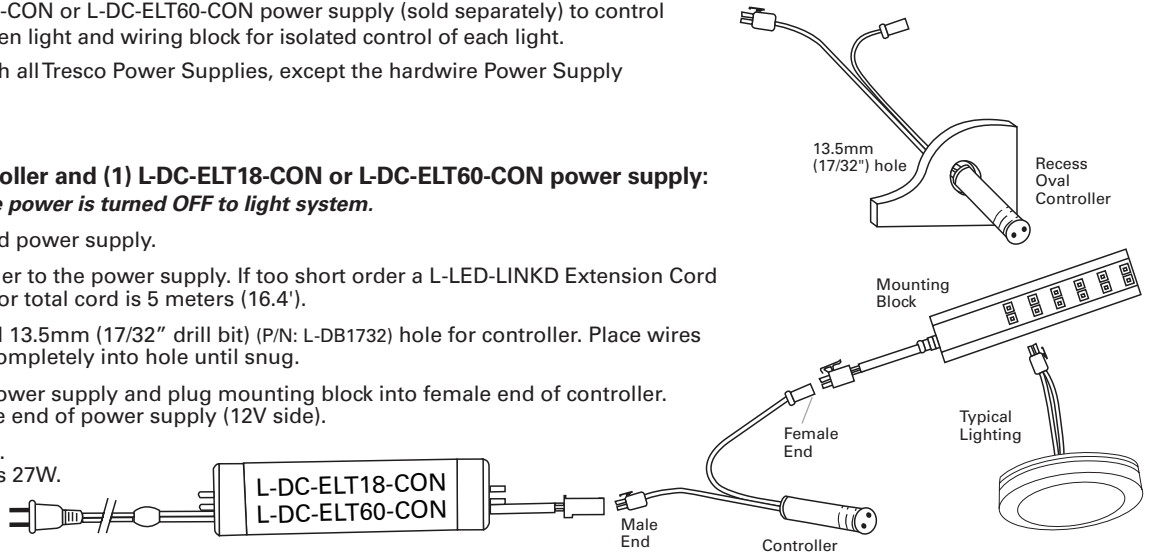
Tresco® Lighting offers oval recessed or surface mounted lighting controllers for 12VDC. Switches can be placed between wiring block and L-DC-ELT18-CON or L-DC-ELT60-CON power supply (sold separately) to control all the lights on one system, or between light and wiring block for isolated control of each light.

Oval LED Controllers can be used with all Tresco Power Supplies, except the hardwire Power Supply (P/N: L-DC-MGT60-CON).

#### Option 1

**To control all lights from (1) controller and (1) L-DC-ELT18-CON or L-DC-ELT60-CON power supply:**  
**Before beginning installation, be sure power is turned OFF to light system.**

1. Determine location of controller and power supply.
2. Check wire length from the controller to the power supply. If too short order a L-LED-LINKD Extension Cord from Tresco® Lighting. Max length for total cord is 5 meters (16.4').
3. To recess mount the controller: Drill 13.5mm (17/32" drill bit) (P/N: L-DB1732) hole for controller. Place wires through hole and push controller completely into hole until snug.
4. Disconnect mounting block from power supply and plug mounting block into female end of controller. Plug male end of switch into female end of power supply (12V side).
5. Connect lights into mounting block.  
 CAUTION: Max load on controller is 27W.
6. Turn power on to power supply.

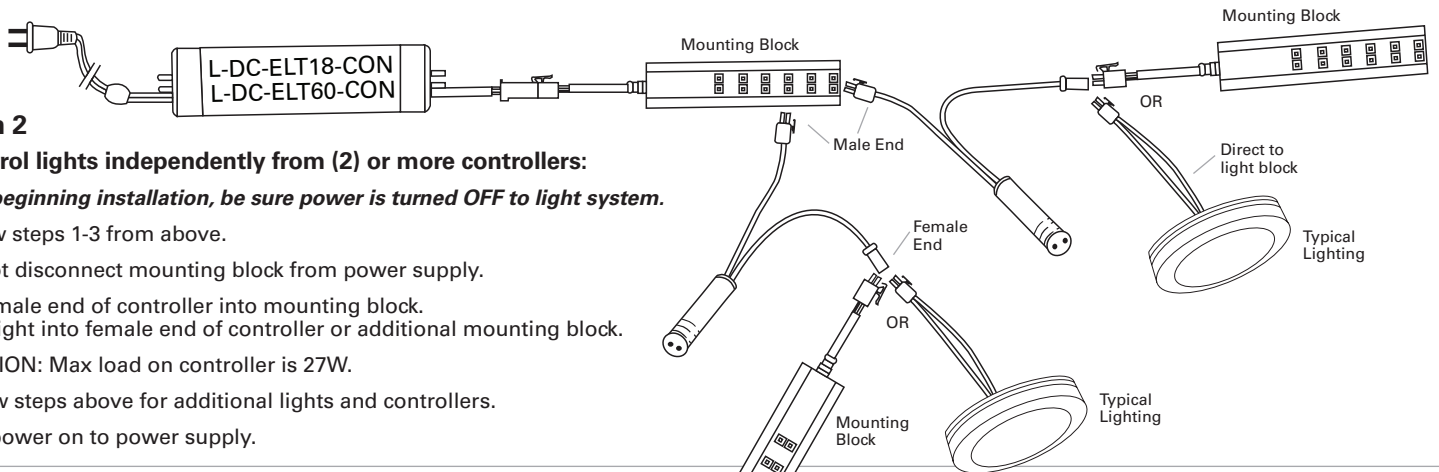


#### Option 2

**To control lights independently from (2) or more controllers:**

**Before beginning installation, be sure power is turned OFF to light system.**

1. Follow steps 1-3 from above.
2. Do not disconnect mounting block from power supply.
3. Plug male end of controller into mounting block. Plug light into female end of controller or additional mounting block.  
 CAUTION: Max load on controller is 27W.
4. Follow steps above for additional lights and controllers.
5. Turn power on to power supply.



#### Controller Specifications

Diameter: 13.5mm (17/32")  
 Length: 61 mm (2-3/8")  
 Max Wattage: 27W  
 Cable input: 2.0 m (79")  
 Cable output: 152 mm (6")  
 Finish: Nickel, Black

#### Proximity Switch

Swipe hand across to turn on/off  
 Sensor range: 0 - 50 mm (2")

#### Door Sensor Controller

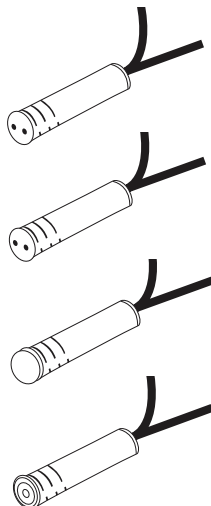
Door Open - light on; Door Closed - light off  
 Sensor range: 0 - 50 mm (2")

#### Motion Detector

Turns on when human motion is detected  
 Sensor range: 0 - 3000 mm (118")  
 Viewing degree: 120°  
 Time on: 30 secs if no motion

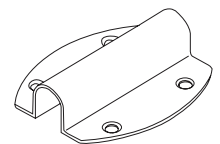
#### Touch Dimmer

Touch on/off and 0-100% dimming control and adjusting light output  
 Sensor range: 0 - 3000 mm (118")  
 Hold finger down for dimming  
 Touch dimmer once to turn on/off  
 It has a memory



#### Housing for Surface Mounting

Length: 40 mm (1-9/16")  
 Width: 42 mm (1-11/16")  
 Height: 13.5mm (17/32")  
 Finish: Nickel, Black  
 Comes standard with every controller



**Save these instructions for future reference.**

**For technical assistance: 1-800-227-1171**



**Tresco Lighting by Rev-A-Shelf**  
 2409 Plantside Dr.  
 Jeffersontown, KY 40299

Tel: 800-227-1171  
 Fax: 502-491-2215

Email: [cservice@trescolighting.com](mailto:cservice@trescolighting.com)  
 Web: [www.trescolighting.com](http://www.trescolighting.com)

I-OVLSNSR-1214



Oval Conn In/1114/grx