



POLYWOOD

Assembly Instructions



Having Trouble?

If you have questions or concerns regarding assembly instructions or missing parts, please contact us at (833) 665-6300 or email support@polywoodoutdoor.com



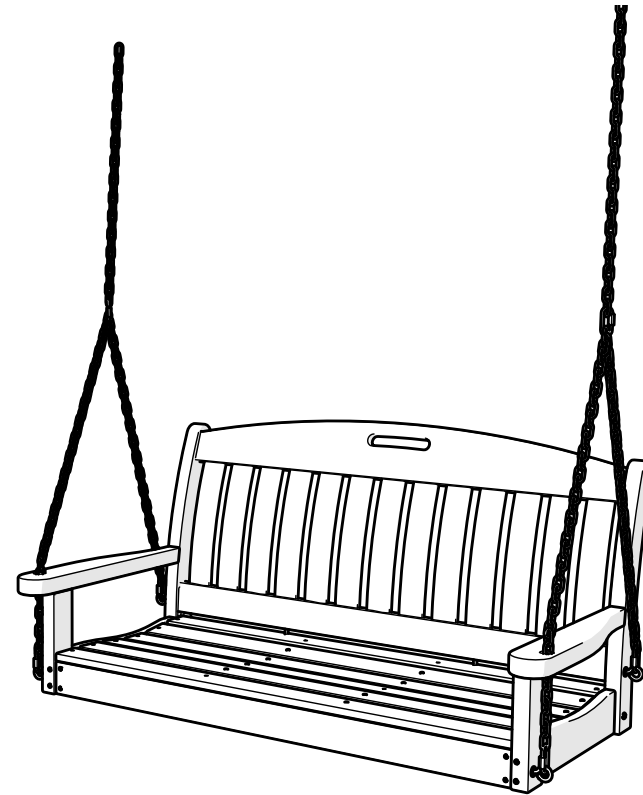
Share your space

We love to see where our furniture ends up — snap a pic and share it on Instagram or Facebook!
#polywood



Watch & Learn

For assembly videos and more, visit [youtube.com/polywood](https://www.youtube.com/polywood)



20-Year Warranty

To view our full warranty, please visit polywoodoutdoor.com/warranty

Easily register your product using one of the methods below:

Text POLYWOOD to 71403
Receive a link to register online

— or —

Register on our website
register.polywoodoutdoor.com

— or —

Send a Picture
Take a photo of the icon below and text it to 71403 (US only)



Cleaning Tips

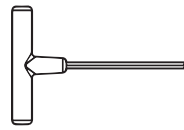
Even POLYWOOD gets dirty — here are some ways to help keep it clean:

For a quick clean:
Simply wipe down with soap and water.

For a deeper clean:
You'll need:
» 1/3 bleach and 2/3 water solution
» clean cloth
» soft bristle brush
Wipe on solution with your cloth and let it sit on the lumber for a few minutes (this will not affect the color). Then, loosen any dirt and debris that may catch in surface grooves with a soft bristle brush; hose down to rinse.

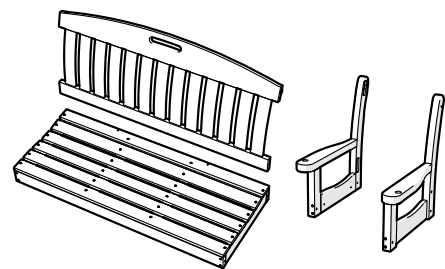
NS48 Nautical 48" Swing

TOOLS

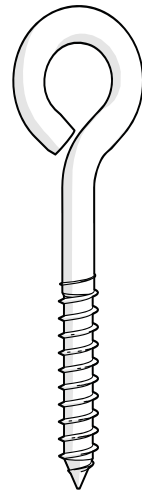


4mm T-handle hex key (included)

PARTS



Lag Eye Bolt — HEB.313X4SS*

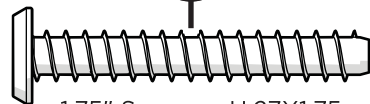


F x4



x4

A x4



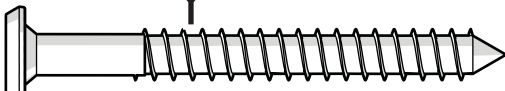
1.75" Screw — H.27X1.75

B x2



2.25" Bolt — H.25-20X2.25

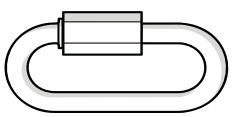
C x2



2.5" Screw — H.27X2.5

D x2

5/16 Pin — H5.16PP*



x6



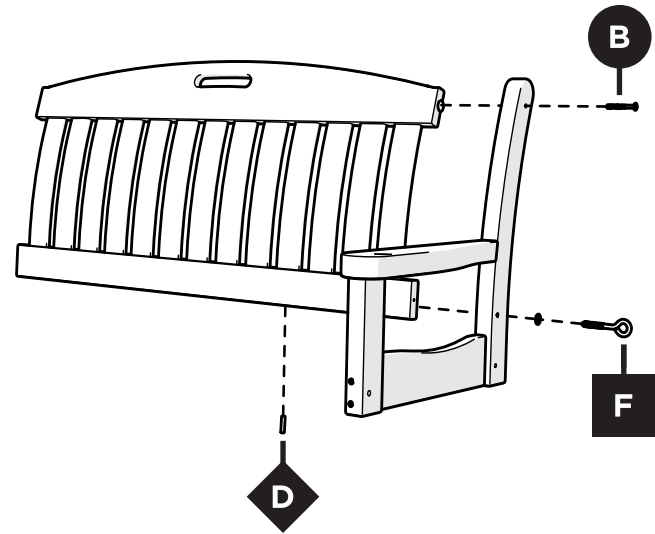
x4

Washer*

*Not to scale

Something missing?
Call (833) 665-6300

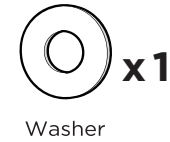
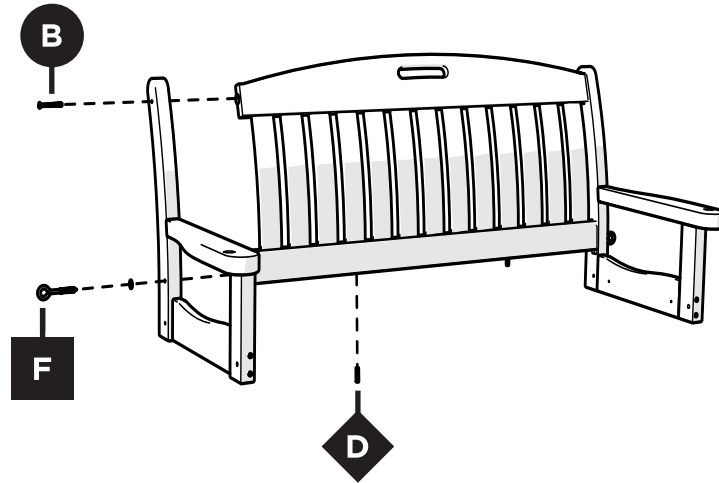
1



x1

Washer

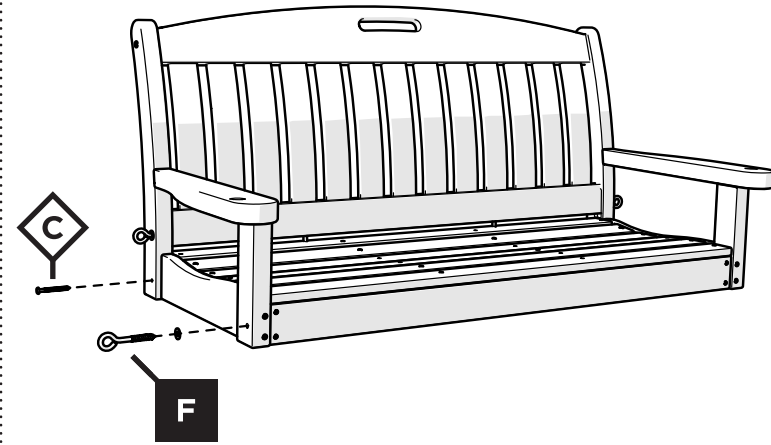
2



x1

Washer

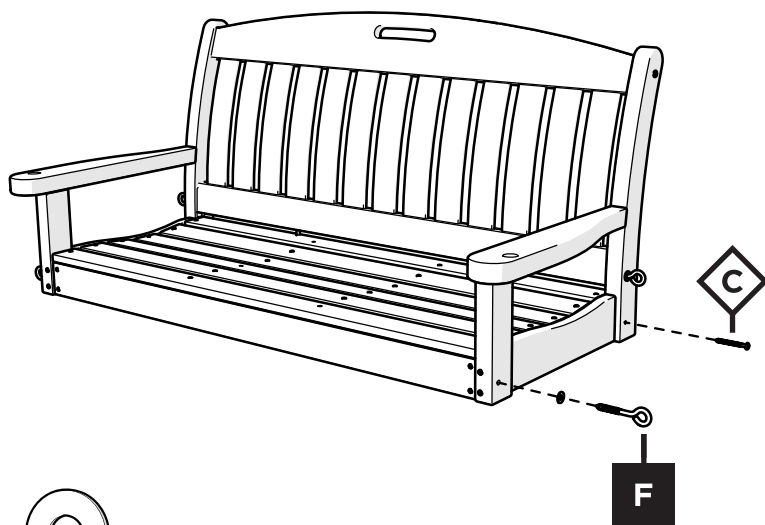
3



x1

Washer

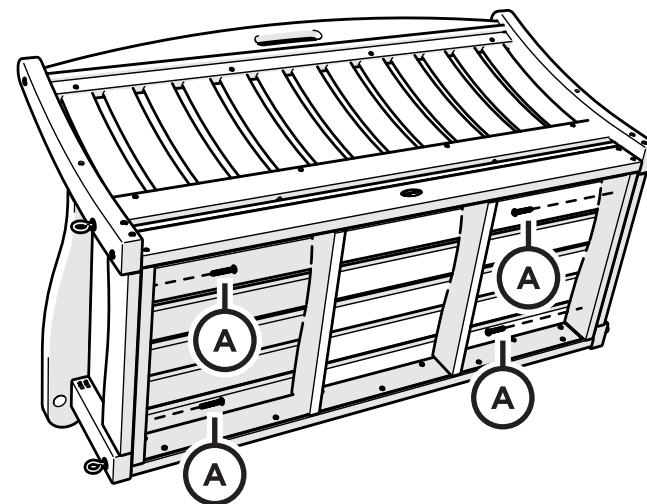
4



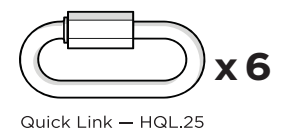
x1

Washer

5



6

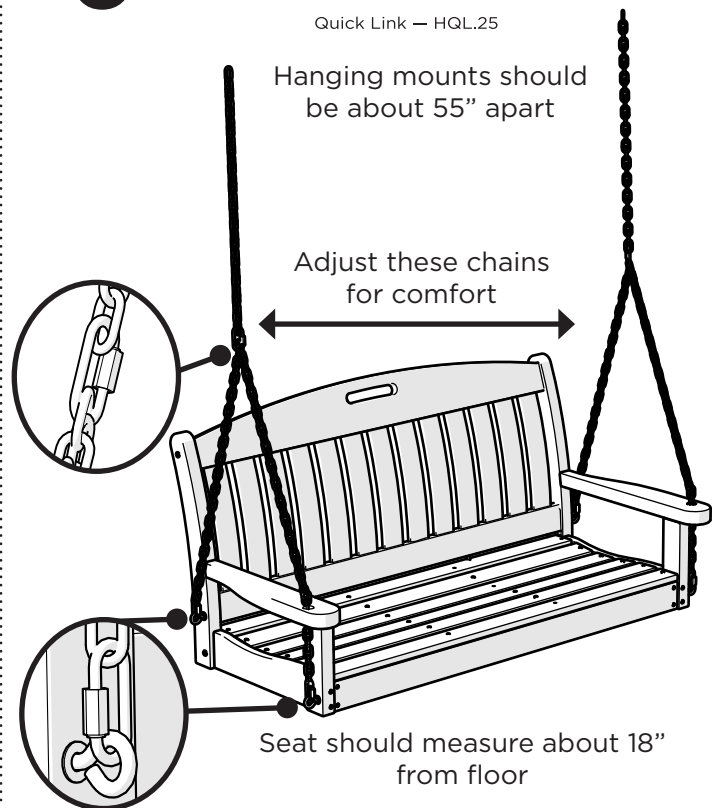


x6

Quick Link — HQL.25

Hanging mounts should be about 55" apart

Adjust these chains for comfort



Seat should measure about 18" from floor