



All Weather Furnishings

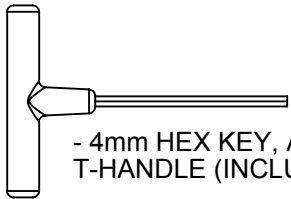
Model:

NCT44, NCCT44,
NCRT44, NCBT44

- (1) Table top
- (4) Leg
- (2) Foot
- (2) Brace
- (1) Hardware pack

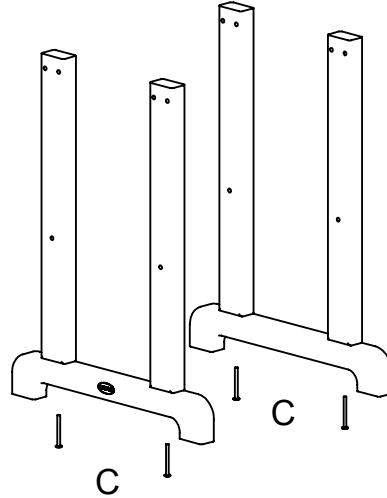
TOOLS NEEDED

- 3/8 Wrench

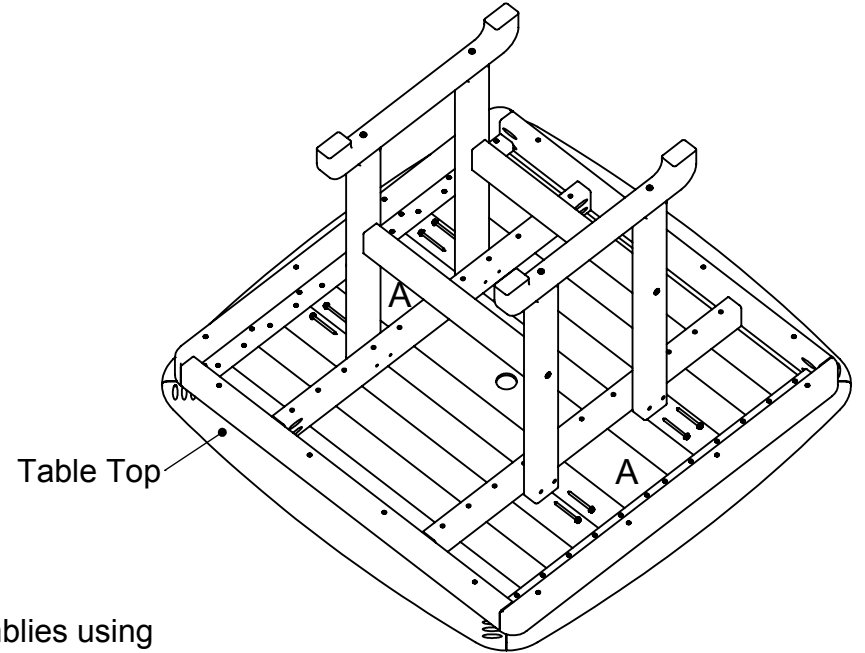


- 4mm HEX KEY, ALLEN,
T-HANDLE (INCLUDED)

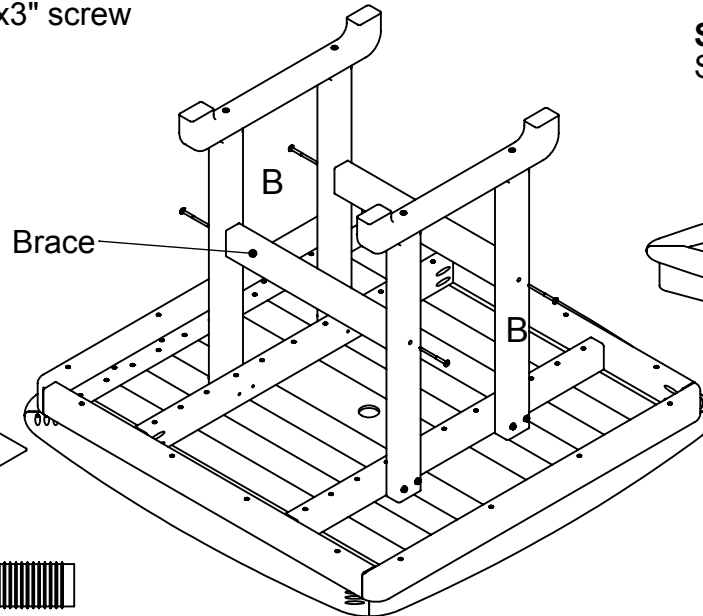
Step 1
Attach feet to legs using (4) 3 1/4" Chair bolts.



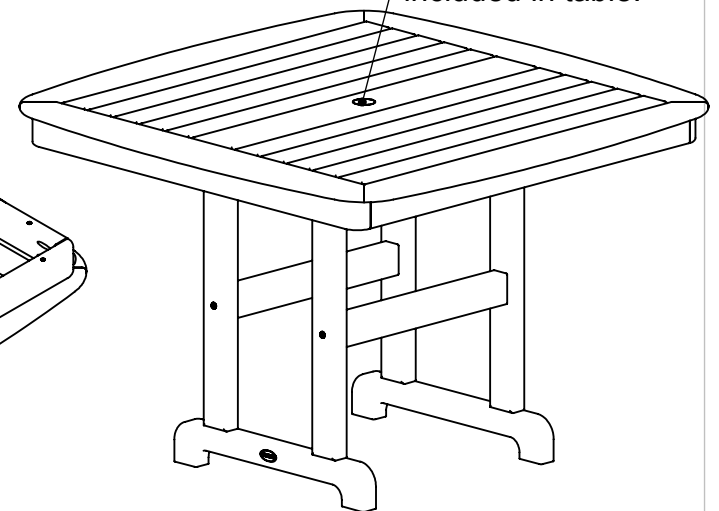
Step 2
Lay table top on flat surface.
Attach the leg assemblies to the table frame using
(8) 14x2 1/2" hex screw *Do not tighten until last step



Step 3
Attach the leg braces to the leg assemblies using
(4) .27x3" screw



Step 4
Set table upright and tighten all bolts.
Removable table plug included in table.



Qty.	Description
8	A - 14 X 2.50 HEX WASHER T-A ALCHM
4	B - .273 X 3 SOCKET WAFER A
4	C - 1/4-20 X 3-1/4 WAFER SHCS



To view our full warranty, please visit the warranty page on our website at polywoodinc.com/resources