



# POLYWOOD

## Assembly Instructions



### Having Trouble?

If you have questions or concerns regarding assembly instructions or missing parts, please contact us at (877) 457-3284 or email [support@polywoodoutdoor.com](mailto:support@polywoodoutdoor.com)



### Share your space

We love to see where our furniture ends up — snap a pic and share it on Instagram or Facebook!  
**#polywood**



### Watch & Learn

For assembly videos and more, visit [youtube.com/polywood](https://www.youtube.com/polywood)



### 20-Year Warranty

To view our full warranty, please visit [polywoodoutdoor.com/warranty](https://polywoodoutdoor.com/warranty)

Easily register your product using one of the methods below:

**Text POLYWOOD to 71403**  
Receive a link to register online

— or —

**Register on our website**  
[register.polywoodoutdoor.com](https://register.polywoodoutdoor.com)

— or —

**Send a Picture**  
Take a photo of the icon below and text it to 71403 (US only)



### Cleaning Tips

Even POLYWOOD gets dirty — here are some ways to help keep it clean:

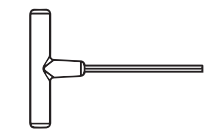
**For a quick clean:**  
Simply wipe down with soap and water.

**For a deeper clean:**  
You'll need:  
» 1/3 bleach and 2/3 water solution  
» clean cloth  
» soft bristle brush  
Wipe on solution with your cloth and let it sit on the lumber for a few minutes (this will not affect the color). Then, loosen any dirt and debris that may catch in surface grooves with a soft bristle brush; hose down to rinse.

## NAC2280

### Nautical Chaise

# TOOLS

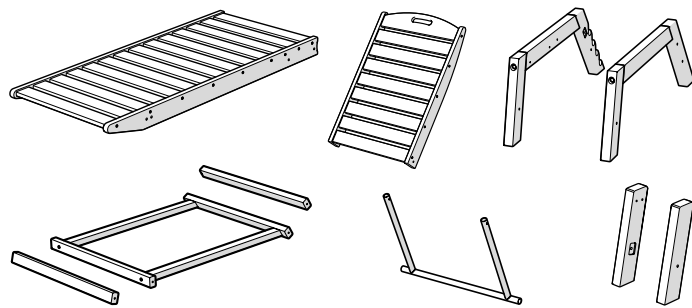


4mm T-handle hex key (included)

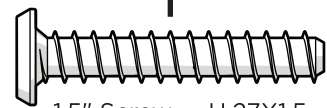


4mm hex key (included)

# PARTS

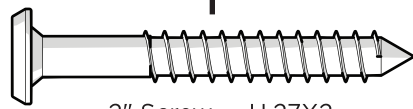


**A** x2



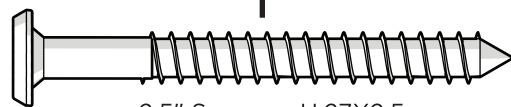
1.5" Screw — H.27X1.5

**B** x10



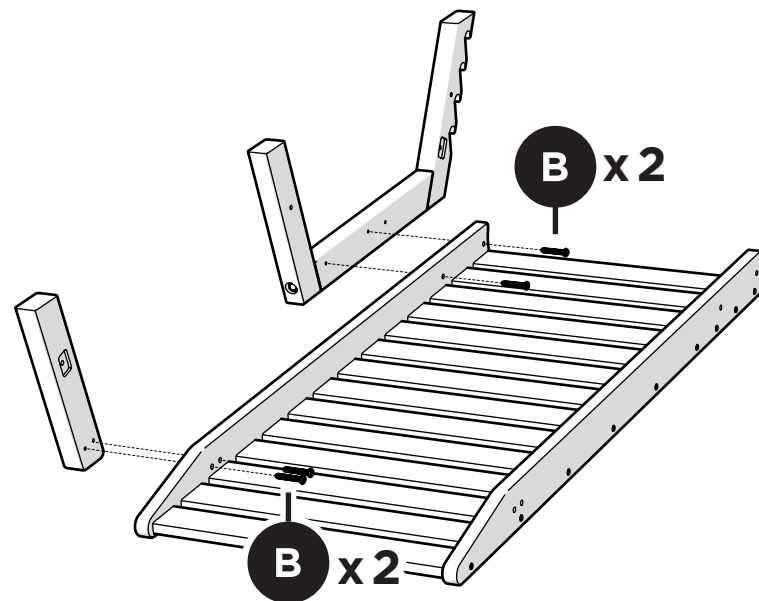
2" Screw — H.27X2

**C** x8

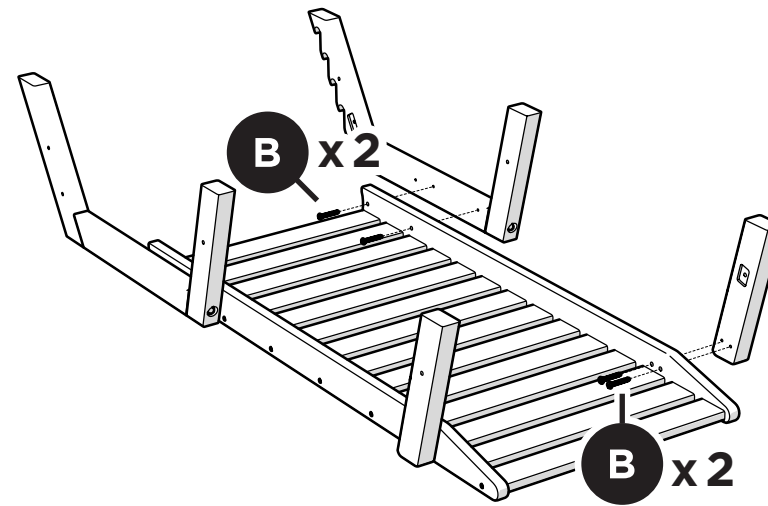


2.5" Screw — H.27X2.5

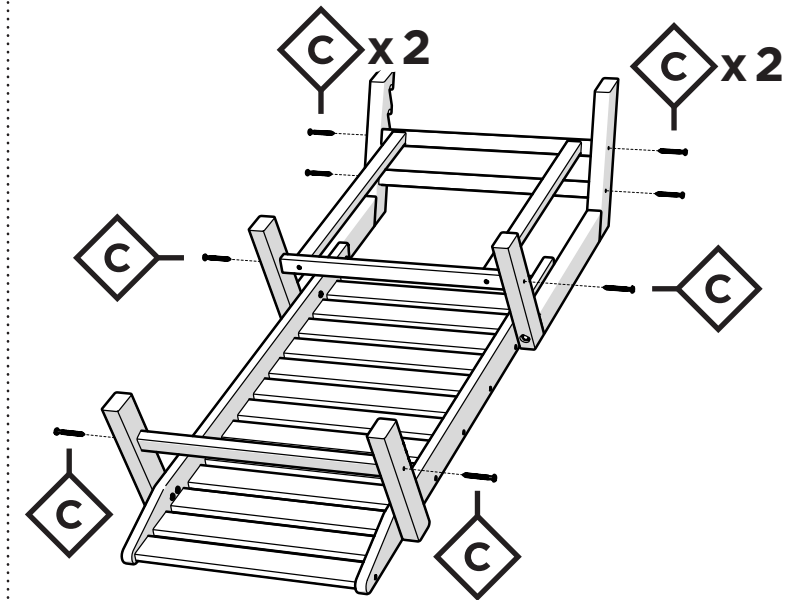
1



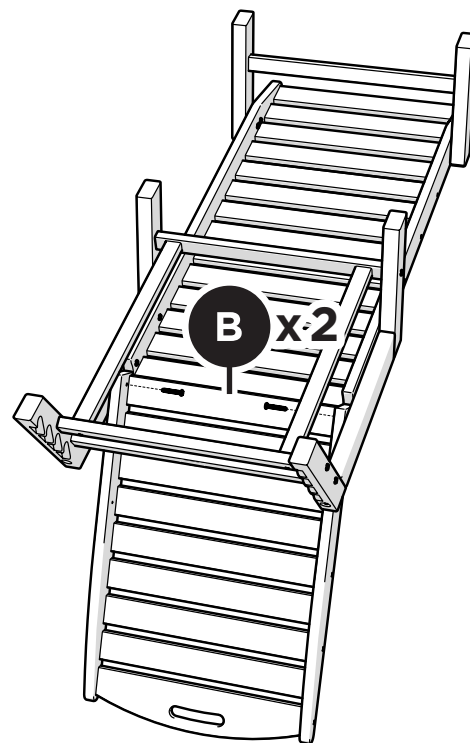
2



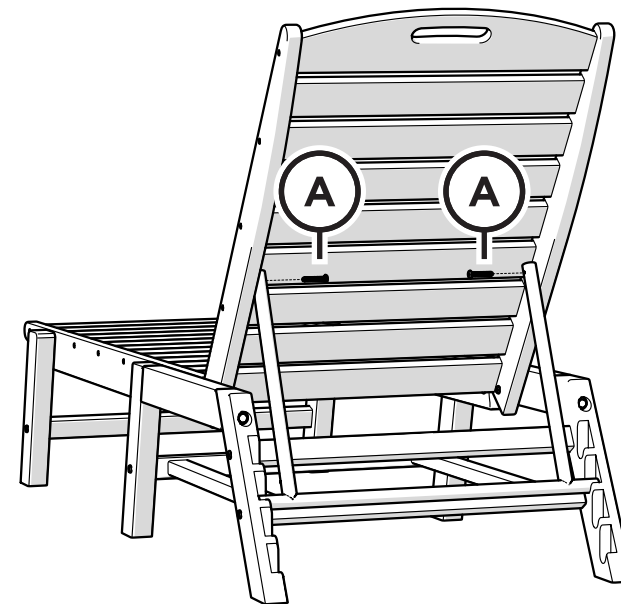
3



4



5



POLYWOOD