

# Installation Instructions for Fortress Pure View Glass Balusters with Pure View Nylon Mounting Shoes and Wood Rails

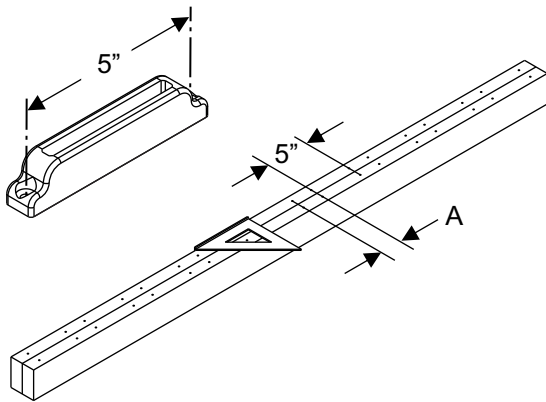
It is the responsibility of the installer to meet all code and safety requirements, and to obtain all required building permits. The deck and railing installer should determine and implement appropriate installation techniques for each installation situation. The Fortress Company nor its distributors shall not be held liable for improper or unsafe installations.

## Read Instructions Completely Before Starting Installation

### Required Materials

Saw, Drill, 1/16" Drill Bit, Phillips Driver Bit, Tape Measure, Pencil, Speed Square, Safety Glasses

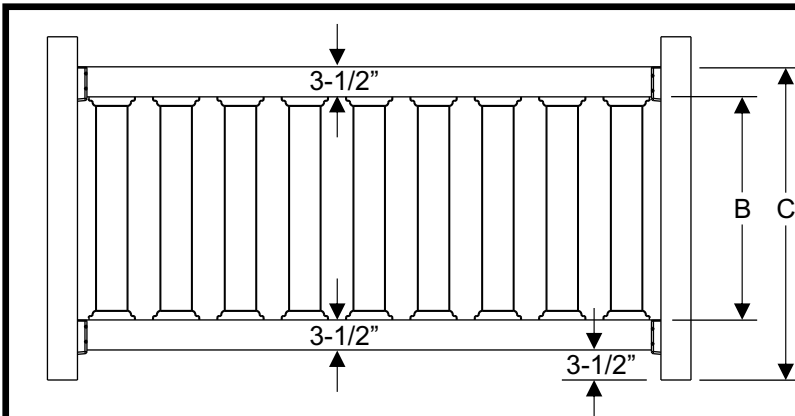
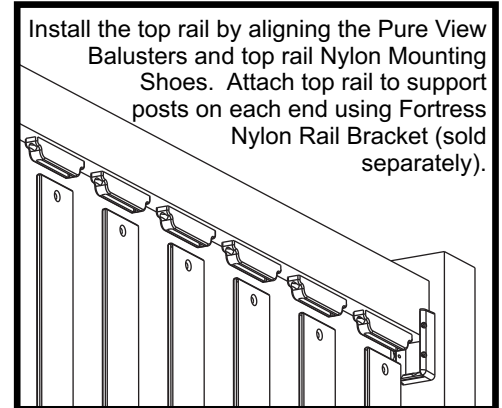
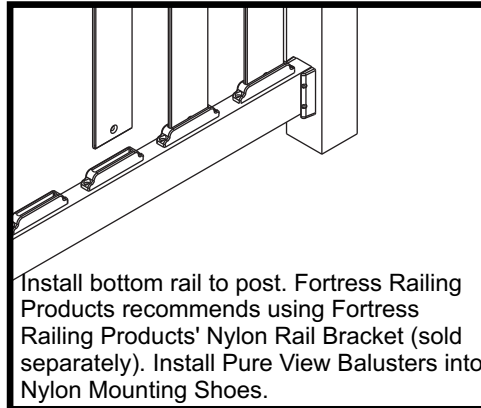
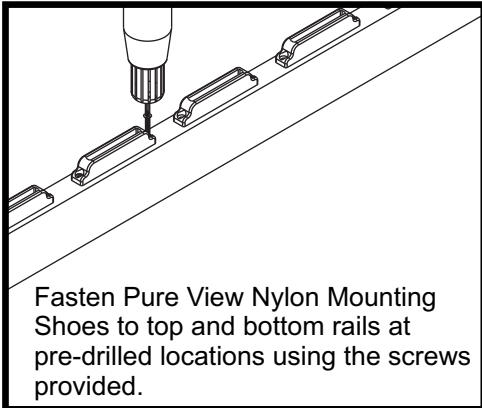
### Pure View Shoe Hole Layout



Cut Rails to required length. Place top and bottom 2x4 rails side by side for accurate placement of Fortress Pure View Nylon Mounting Shoes. **Fortress Pure View Glass Balusters CANNOT EXCEED 4" SPACING between balusters.** Mark layout on rails so that there is an equal distance between the first Pure View Baluster and the end of rail at each end. Using a square mark the location of each Pure View Nylon Mounting Shoe and pre-drill with a 1/16" drill bit.

#### Pure View Baluster Spacing

Dimension "A"	Space Between Balusters
2-1/2"	3-3/4"
2-5/8"	3-7/8"
2-3/4"	4"



#### Pure View Installed Rail Heights

Dimension "B"	Dimension "C" Top Rail Height with 3-1/2" Rails
26"	36-1/2"
34"	44-1/2"
40"	50-1/2"