



Technical Evaluation Report

TO ASSIST WITH CODE COMPLIANCE

Use of FastenMaster FrameFAST® Structural Wood Screw Fasteners to Provide Uplift & Lateral Resistance to Wood Trusses & Rafters Attached to the Tops of Walls

TER No. 1503-03

OMG, Inc.

d/b/a/ FastenMaster

153 Bowles Road
Agawam, MA 01001

413-789-0252

fastenmaster.com

mguthrie@olyfast.com

Issue Date: May 17, 2016

Subject to Renewal: July 1, 2017

DIVISION: 06 00 00 – WOOD, PLASTICS AND COMPOSITES

Section: 06 00 90 – Wood and Plastic Fastenings

1. Product Evaluated

- 1.1. FastenMaster FrameFAST® Structural Wood Screw (FrameFAST® fasteners)
- 1.2. For the most recent version of this Technical Evaluation Report (TER), visit drjengineering.org. For more detailed state professional engineering and code compliance legal requirements and references, visit drjengineering.org/statelaw. DrJ is fully compliant with all state professional engineering and code compliance laws.

DrJ is a Professional Engineering Approved Source

 **Learn more about DrJ's Accreditation**

- DrJ is an ISO/IEC 17065 accredited product certification body through ANSI Accreditation Services.
- DrJ provides certified evaluations that are signed and sealed by a P.E.
- DrJ's work is backed up by professional liability insurance.
- DrJ is fully compliant with IBC Section 1703.

6300 Enterprise Lane • Madison WI 53719 • 608-310-6748 • drjengineering.org



Technical Evaluation Report (TER)

2. Applicable Codes and Standards:¹

- 2.1. 2009, 2012 and 2015 International Building Code (IBC)
- 2.2. 2009, 2012 and 2015 International Residential Code (IRC)
- 2.3. ASTM A153 – Standard Specification for Zinc Coating (Hot-Dip) on Iron and Steel Hardware
- 2.4. ASTM D1761 – Standard Test Methods for Mechanical Fasteners in Wood
- 2.5. ASTM F1575 – Standard Test Method for Determining Bending Yield Moment of Nails
- 2.6. ASTM F606 – Standard Test Method for Determining Properties of Fasteners
- 2.7. AWC NDS – National Design Specification for Wood Construction, American Wood Council
- 2.8. AWC TR-12 – General Dowel Equations for Calculating Lateral Connection Values, American Wood Council

3. Performance Evaluation:

- 3.1. FrameFAST® fasteners were evaluated, using assembly tests to derive allowable design values, as an alternate means of attaching metal plate connected wood trusses and rafters to the tops of walls for the purpose of providing uplift and lateral load resistance. The following conditions were evaluated:
 - 3.1.1. Withdrawal strength of FrameFAST® fasteners for use as an alternative to toe-nail connections, metal hurricane and seismic clips/straps, or nails in tension (uplift) loaded applications.
 - 3.1.2. Shear strength of FrameFAST® fasteners for use as an alternative to toe-nail connections, hurricane and seismic clips/straps, or nails in shear (lateral) loaded applications either parallel or perpendicular to wood grain.
 - 3.1.3. Head pull through strength of FrameFAST® fasteners for use as an alternative to toe-nail connections, hurricane and seismic clips/straps or nails in tension (uplift) loaded applications.
- 3.2. Connections other than those addressed in [Section 3](#) are outside the scope of this TER.
- 3.3. Any code compliance issues not specifically addressed in this section are outside the scope of this TER.

4. Product Description and Materials:

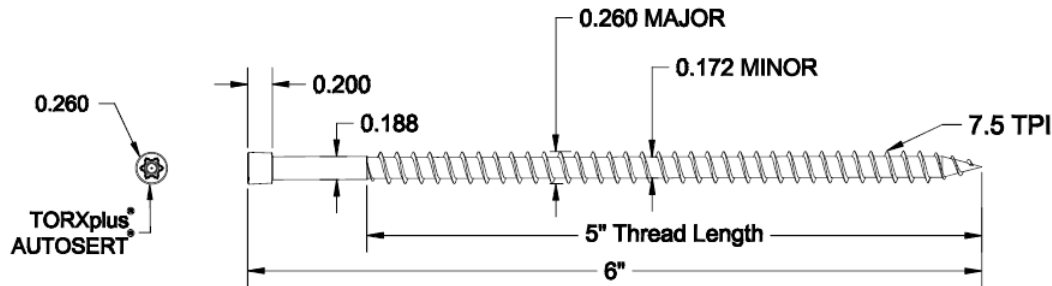


Figure 1: FrameFAST® Fastener Specification

- 4.1. FrameFAST® fasteners are manufactured with modified 10B21 carbon steel wire conforming to the manufacturers specifications and are coated with a proprietary finish.
- 4.2. FrameFAST® fasteners are manufactured using a standard cold-formed process followed by a heat-treating process.
- 4.3. FrameFAST® fasteners are approved for use in interior and exterior conditions and in pressure-treated wood.

¹ Unless otherwise noted, all references in this code compliant research report (TER) are from the 2012 version of the codes and the standards referenced therein, including, but not limited to, ASCE 7, SDPWS and WFCM. This product also complies with the 2000-2009 and 2015 versions of the IBC and IRC and the standards referenced therein. As required by law, where this research report is not approved, the building official shall respond in writing, stating the reasons this research report was not approved. For variations in state and local codes, if any, see [Section 8](#).

Technical Evaluation Report (TER)

- 4.4. In-plant quality control procedures, under which the FrameFAST® fasteners are manufactured, are audited through an inspection process performed by an approved agency.
- 4.5. The FrameFAST® fasteners evaluated in this TER are designated as follows:

Fastener	Fastener Designation	Fastener Length ¹ (in.)	Thread Length ¹ (in.)	Head Diameter (in.)	Head Height	Shank Diameter ² (in.)	Minor Thread (Root) Diameter	Major Thread (Root) Diameter	Bending Yield ² (f _{yb} , psi)	Allowable Fastener Strength ²	
										Tensile (psi)	Shear (psi)
FrameFAST®	FMFF006	6"	5"	0.260"	0.200"	0.188"	0.172"	0.260"	166,600	155,900	120,360

For SI: 1" = 25.4 mm, 1 lbf = 4.45 N, 1 psi = 6.895 kPa.

1. Fastener length is measured from the underside of the head to the tip. Thread length includes tapered tip (see [Figure 1](#)).

2. Bending yield, tension and shear values determined at minor root diameter.

Table 1: Fastener Designation for the Evaluated FrameFAST® Fasteners

5. Applications:

- 5.1. FrameFAST® fasteners are used to attach minimum 1½"-wide wood trusses and sawn lumber rafters to wood walls that meet the requirements of [IBC Section R602](#) or [IBC Section 2308](#) for wood structural framing members. The fasteners provide resistance to uplift or lateral loads applied parallel and/or perpendicular to the wall or structural framing member.
- 5.1.1. Walls shall consist of a single or double top plate designed in accordance with [IBC Section R602.3.2](#) or [IBC Section 2308.9.2.1](#)².
- 5.1.2. See [Table 2](#) for the design procedure and the FrameFAST® fasteners' allowable design values.
- 5.1.3. See [Section 6](#) for installation requirements.
- 5.1.4. FrameFAST® fasteners are used in buildings requiring wind analysis in accordance with [IBC Section R301.2.1](#), or design in accordance with [IBC Section 1609](#).
- 5.1.5. Use of FrameFAST® fasteners in buildings requiring seismic analysis in accordance with [IBC Section R301.2.2](#) is outside the scope of this TER.
- 5.2. Design Concepts and Allowable Design Loads
- 5.2.1. Allowable design loads for uplift and lateral resistance [parallel (F1) and perpendicular (F2) to the plane of the wall or structural member, [Figure 2](#)] are provided in [Table 2](#) for FrameFAST® fasteners. Allowable design loads are applicable to fasteners installed in accordance with the procedures described in [Section 6](#). Allowable design loads are applicable for both single and double top plate applications as shown in [Figure 3](#) and [Figure 4](#).

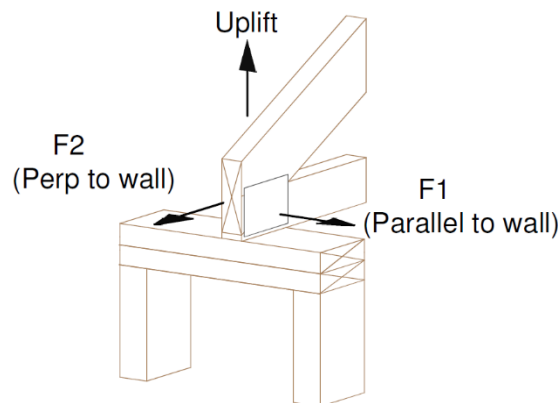


Figure 2: Uplift & Lateral Load Orientations

² [2015 IBC Section 2308.5.3.2](#)

Technical Evaluation Report (TER)

Fastener Designation	Minimum Penetration into Truss/Rafter/Wood Structural Support (in.) ¹	Species Group (Specific Gravity) ^{2,3}	Uplift (lbf) ^{4,5}	Lateral (lbf) ⁴	
				F1 – Parallel to Wall	F2 – Perpendicular to Wall
6" FMFF006	2 1/2"	So. Pine (0.55)	690	285	485
		Douglas Fir-Larch (0.50)	655	300	455
		Spruce-Pine-Fir/Hem-Fir (0.42)	595	330	400

1. Wood truss and rafter members shall be a minimum of 2" nominal thickness. Design of truss and rafter members by others.
 2. Equivalent specific gravity of structural composite lumber (SCL) shall be equal to or greater than the specific gravities provided in this table. Refer to product information from SCL manufacturer.
 3. For applications involving members with different specific gravities, use the allowable load corresponding to the lowest specific gravity.
 4. No further duration of load increases permitted.
 5. Use reduction factor of 0.80 when connecting each ply of multiply trusses to the top plate.

Table 2: Allowable Loads for Uplift & Lateral Resistance for Selected Load Durations & Wood-Specific Gravities Using FrameFAST® Fasteners

5.2.2. Where it is anticipated that loads will be applied to a single fastener simultaneously in more than one direction, additional evaluation is required to account for the combined effect of these loads using accepted engineering practice.

5.2.2.1. Consult a professional engineer, as needed, for complex design conditions.

6. Installation:

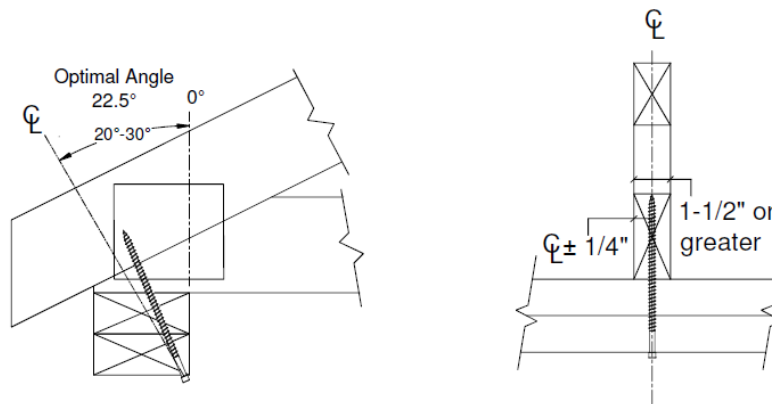


Figure 3: Installation of FrameFAST® Fasteners on Wood Truss or Rafter to Double Top Plate

Technical Evaluation Report (TER)

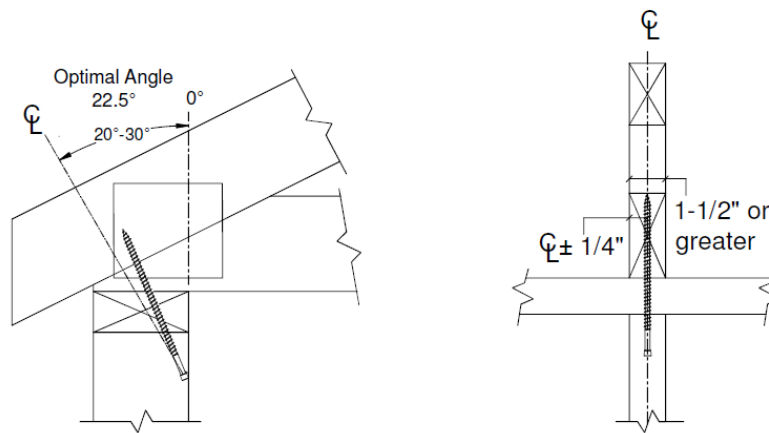


Figure 4: Installation of FrameFAST® Fasteners on Wood Truss or Rafter to Single Top Plate

- 6.1. Installation shall comply with the manufacturer's installation instructions and this TER. In the event of a conflict between the manufacturer's installation instructions and this TER, the more restrictive shall govern.
- 6.2. Select a FrameFAST® fastener with a length sufficient to fully embed 2¹/₂" of the fastener length into the truss or rafter. See [Figure 3](#) and [Figure 4](#) for guidance.
- 6.3. Install one (1) FrameFAST® fastener upward through the wall top plates or wood structural framing member at the bottom corner of the top plates and into the center of the wood truss or rafter. The fastener should be installed at a 20°-30° angle and should penetrate the wood truss or rafter within 1/4" of the centerline. See [Figure 3](#) and [Figure 4](#).
 - 6.3.1. If the wood truss or rafter is located directly over a top plate splice, offset the fastener 1/4" to one side of the splice and insert the fastener upward through the wall top plates or wood structural framing member at the bottom corner of the top plates and into the center of the truss or rafter. The fastener should be installed at a 20°-30° angle.
- 6.4. Use a 1/2" low RPM/high torque drill to drive the fastener head flush with the surface of the wall framing or wood structural framing member.

7. Test and Engineering Substantiating Data:

- 7.1. FrameFAST® fastener testing conduct by SBCRI, under contract with Qualtim, Inc., 2015 for the following conditions:
 - 7.1.1. Uplift capacity of FrameFAST® fasteners as evaluated for head pull through and withdrawal of fasteners.
 - 7.1.2. FrameFAST® fastener performance when used as a truss hold-down.
 - 7.1.3. FrameFAST® fastener performance when loaded laterally.
- 7.2. Material property testing, conducted by the University of Montana - Wood Science Laboratory, 2016
- 7.3. The product(s) evaluated by this TER falls within the scope of one or more of the model, state or local building codes for building construction. The testing and/or substantiating data used in this TER is limited to buildings, structures, building elements, construction materials and civil engineering related specifically to buildings.
- 7.4. The provisions of model, state or local building codes for building construction do not intend to prevent the installation of any material or to prohibit any design or method of construction. Alternatives shall use consensus standards, performance-based design methods or other engineered alternative means of compliance. This TER assesses compliance with defined standards, generally accepted engineering analysis, performance-based design methods, etc. in the context of the pertinent building code requirements.
- 7.5. Some information contained herein is the result of testing and/or data analysis by other sources, which DrJ relies on to be accurate as it undertakes its engineering analysis.
- 7.6. DrJ has reviewed and found the data provided by other professional sources are credible. This information has been approved in accordance with DrJ's procedure for acceptance of data from approved sources.

Technical Evaluation Report (TER)

- 7.7. DrJ's responsibility for data provided by approved sources is in accordance with professional engineering law.
- 7.8. Where appropriate, DrJ relies on the derivation of design values, which have been codified into law through codes and standards (e.g., *IRC*, *WFCM*, *IBC*, *SDPWS*, etc.). This includes review of code provisions and any related test data that helps with comparative analysis or provides support for equivalency to an intended end-use application.

8. Findings:

- 8.1. When used and installed in accordance with this TER and the manufacturer's installation instructions, FrameFAST® fasteners can be used as an acceptable alternative to:
 - 8.1.1. Toe-nail connections, metal hurricane and seismic clips/straps, or nails to resist the uplift and lateral loads as provided for in [Table 2](#).
 - 8.1.2. Provide resistance to uplift loads due to wind negative pressure applied from the truss above lifting up on the top plate of the wall, per [Table 2](#).
 - 8.1.3. Provide resistance to lateral loads due to wind pressure applied parallel or perpendicular to the wall, per [Table 2](#).
- 8.2. [IBC Section 104.11](#) and [IRC Section R104.11](#) state:

104.11 Alternative materials, design and methods of construction and equipment. The provisions of this code are not intended to prevent the installation of any material or to prohibit any design or method of construction not specifically prescribed by this code, provided that any such alternative has been *approved*. An alternative material, design or method of construction shall be *approved* where the *building official* finds that the proposed design is satisfactory and complies with the intent of the provisions of this code, and that the material, method or work offered is, for the purpose intended, at least the equivalent of that prescribed in this code. ... Where the alternative material, design or method of construction is *not approved*, the *building official* shall respond in writing, stating the reasons the alternative was *not approved*.³
- 8.3. This product has been evaluated with the codes listed in [Section 2](#), and is compliant with all known state and local building codes. Where there are known variations in state or local codes that are applicable to this evaluation, they are listed here:
 - 8.3.1. No known variations
- 8.4. This TER uses professional engineering law, the building code, ANSI/ASTM consensus standards and generally accepted engineering practice as its criteria for all testing and engineering analysis. DrJ's professional engineering work falls under the jurisdiction of each state Board of Professional Engineers, when signed and sealed.

9. Conditions of Use:

- 9.1. Where required by the authority having jurisdiction (AHJ) in which the project is to be constructed, this report and the installation instructions shall be submitted at the time of permit application.
- 9.2. Any generally accepted engineering calculations needed to show compliance with this TER shall be submitted to the code official for review and approval.
- 9.3. Design loads shall be determined in accordance with the building code adopted by the jurisdiction in which the project is to be constructed.
- 9.4. The FrameFAST® fasteners covered in this TER shall be installed in accordance with this report and the manufacturer's installation instructions.
 - 9.4.1. For conditions not covered in this TER, connections shall be designed in accordance with accepted engineering practice.
- 9.5. Manufacturer's installation instructions shall be shipped to the jobsite with the materials or otherwise be available on the jobsite for inspection.

³ The last sentence is adopted language in the 2015 codes.

Technical Evaluation Report (TER)

- 9.6. Structural framing members connected with FrameFAST® fasteners shall be designed in accordance with the requirements of their specific design standards/specifications as referenced in the building code adopted by the jurisdiction in which the project is to be constructed.
- 9.7. Loads applied shall not exceed those recommended by the manufacturer or as defined in this TER.
- 9.8. FastenMaster products are produced by OMG, Inc. at its facility located in Agawam, Massachusetts.
- 9.9. FrameFAST® fasteners are produced under a quality control program subject to periodic inspections in accordance with [IBC Section 1703.5.2](#).
- 9.10. Design
- 9.10.1. Building Designer Responsibility
- 9.10.1.1. Unless the AHJ allows otherwise, the Construction Documents shall be prepared by a Building Designer (e.g., Owner, Registered Design Professional, etc.) for the Building and shall be in accordance with [IRC Section R106](#) and [IBC Section 107](#).
- 9.10.1.2. The Construction Documents shall be accurate and reliable and shall provide the location, direction and magnitude of all applied loads and shall be in accordance with [IRC Section R301](#) and [IBC Section 1603](#).
- 9.10.2. Construction Documents
- 9.10.2.1. Construction Documents shall be submitted to the Building Official for approval and shall contain the plans, specifications and details needed for the Building Official to approve such documents.
- 9.11. Responsibilities
- 9.11.1. The information contained herein is a product, engineering or building code compliance research report performed in accordance with the referenced building codes, testing and/or analysis through the use of accepted engineering procedures, experience and technical judgment.
- 9.11.2. DrJ research reports provide an assessment of only those attributes specifically addressed in the Products Evaluated or Code Compliance Process Evaluated section.
- 9.11.3. The engineering evaluation was performed on the dates provided in this TER, within DrJ's professional scope of work.
- 9.11.4. This product is manufactured under a third-party quality control program in accordance with [IRC Section R104.4](#) and [R109.2](#), and [IBC Section 104.4](#) and [110.4](#).
- 9.11.5. The actual design, suitability and use of this research report for any particular building is the responsibility of the Owner or the Owner's authorized agent, and the report shall be reviewed for code compliance by the Building Official.
- 9.11.6. The use of this TER is dependent on the manufacturer's in-plant QC, the ISO/IEC 17020 third-party inspection process, proper installation per the manufacturer's instructions, the Building Official's inspection and any other code requirements that may apply to assure accurate compliance with the applicable building code.
- 10. Identification:**
- 10.1. The fasteners described in this TER are identified by the designation, "FrameFAST®" on the packaging material bearing the manufacturer's name, product name, TER number, and other information to confirm code compliance.
- 10.2. The packaging shall include OMG's name and address, fastener size, third-party inspection agency, and TER number.
- 10.3. Additional technical information can be found at fastenmaster.com.

Technical Evaluation Report (TER)

11. Review Schedule:

- 11.1. This TER is subject to periodic review and revision. For the most recent version of this TER, visit drjengineering.org.
- 11.2. For information on the current status of this TER, contact [DrJ Engineering](#).



- [Mission and Professional Responsibilities](#)
- [Product Evaluation Policies](#)
- [Product Approval – Building Code, Administrative Law and P.E. Law](#)