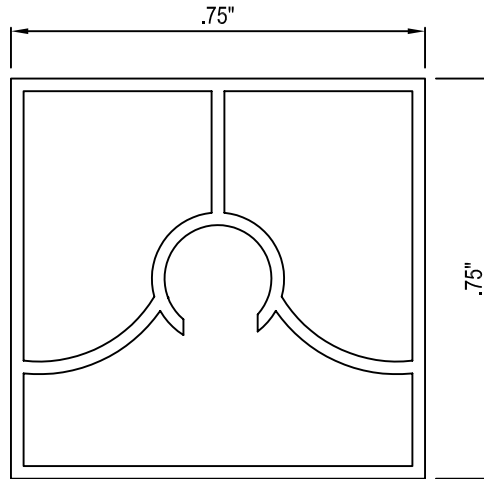




AZEK BUILDING PRODUCTS  
888 N. KEYSER AVENUE  
SCRANTON, PA 18504  
TOLL FREE: 1-877-ASK-AZEK  
www.azek.com

SELECT DESIRED PACK:  
(20 BALUSTERS PER PACK)

- 29" FOR 36" RAILING
- 31" FOR 36" RAILING (WITH LESS THAN 2" GAP BETWEEN DECK & BOTTOM RAIL)
- 35" FOR 42" RAILING
- 37" FOR 42" RAILING (WITH LESS THAN 2" GAP BETWEEN DECK & BOTTOM RAIL)



PROFILE VIEW

NOTES:

1. INSTALLATION TO BE COMPLETED IN ACCORDANCE WITH MANUFACTURER'S SPECIFICATIONS.
2. DO NOT SCALE DRAWING.
3. THESE DRAWINGS ARE NOT FOR CONSTRUCTION PURPOSES AND ARE FOR INFORMATION PURPOSES ONLY. ALL INFORMATION CONTAINED HEREIN WAS CURRENT AT THE TIME OF DEVELOPMENT BUT MUST BE REVIEWED AND APPROVED BY THE PRODUCT MANUFACTURER TO BE CONSIDERED ACCURATE.
4. CONTRACTOR'S NOTE: FOR PRODUCT AND COMPANY INFORMATION VISIT [www.CADdetails.com/info](http://www.CADdetails.com/info) REFERENCE NUMBER 4366-106.

