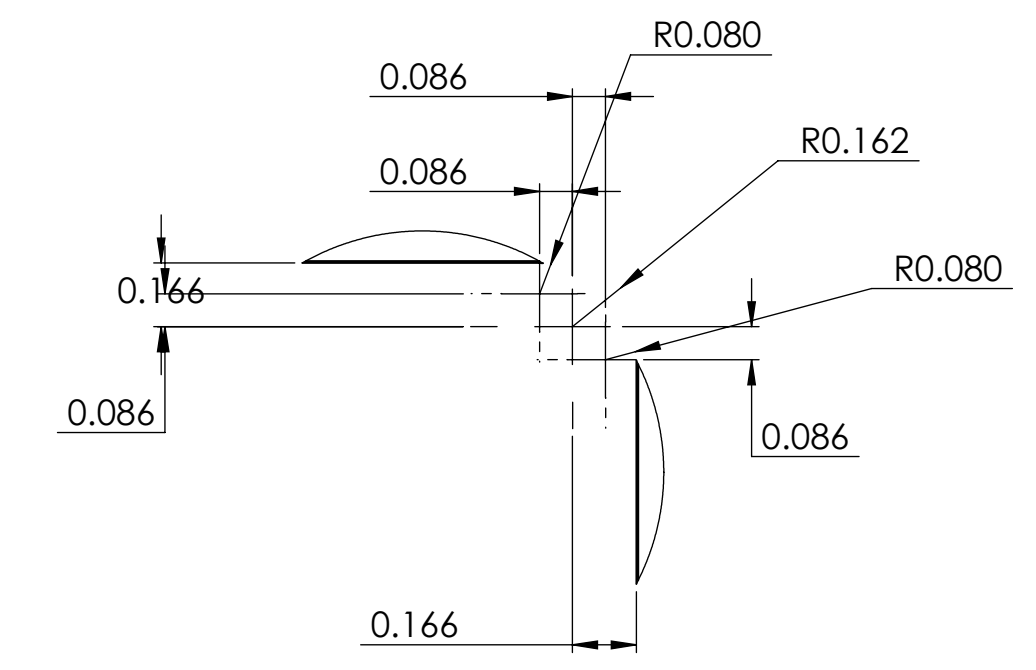
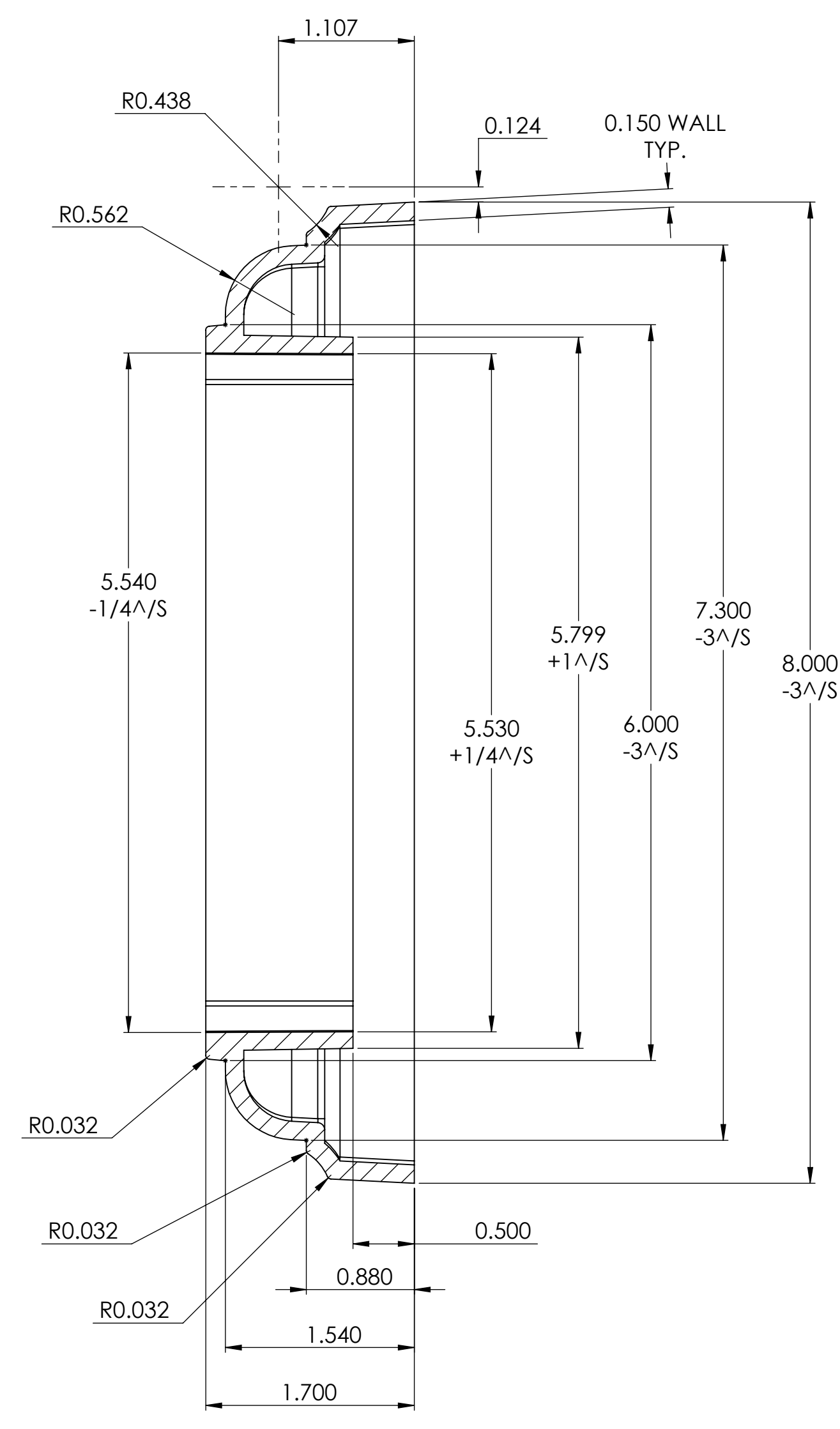
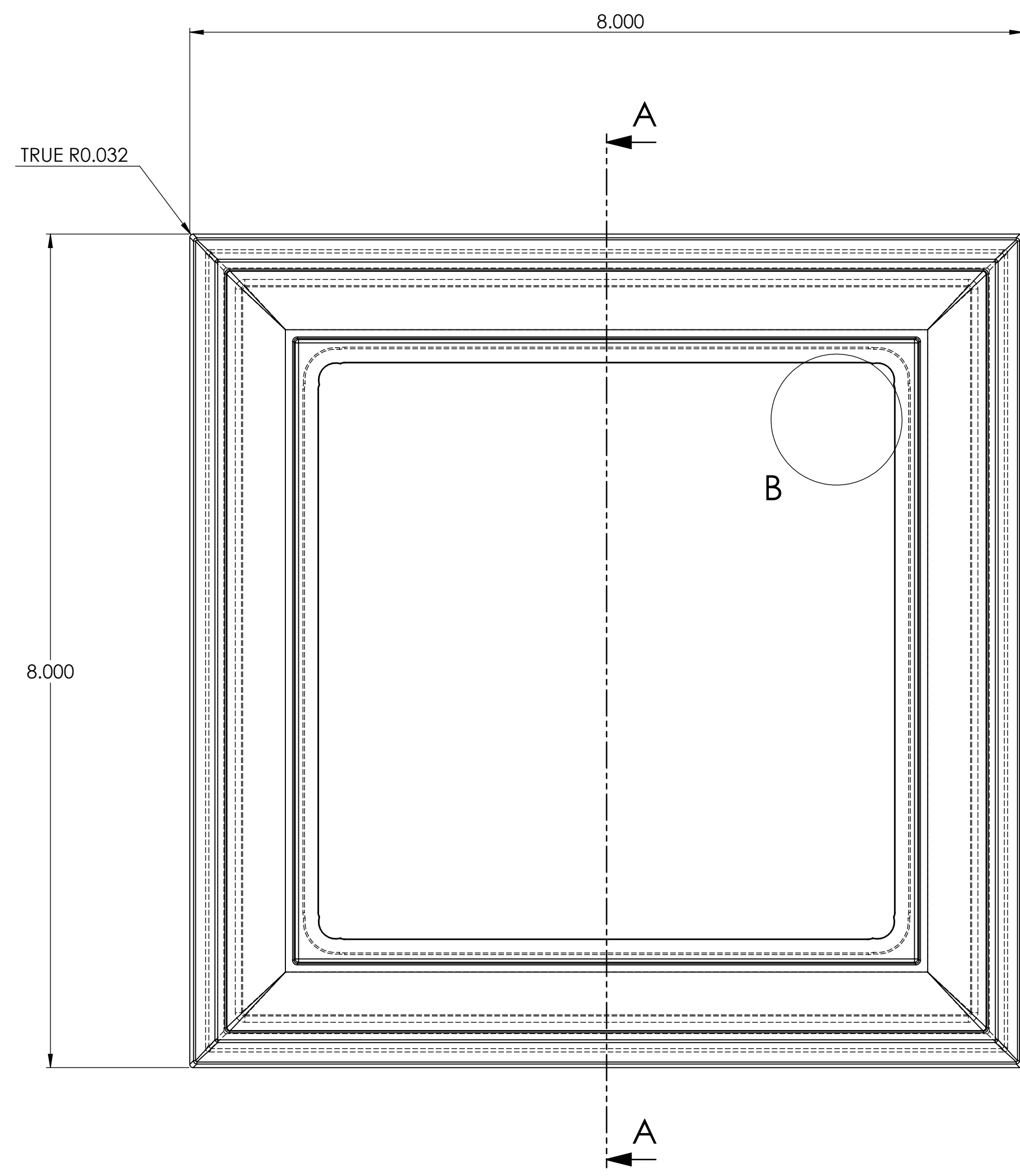
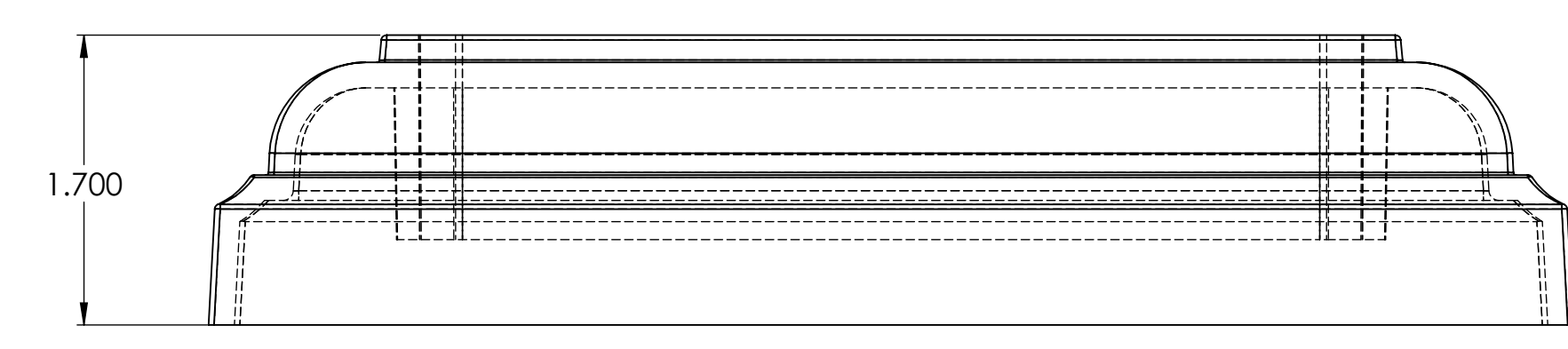
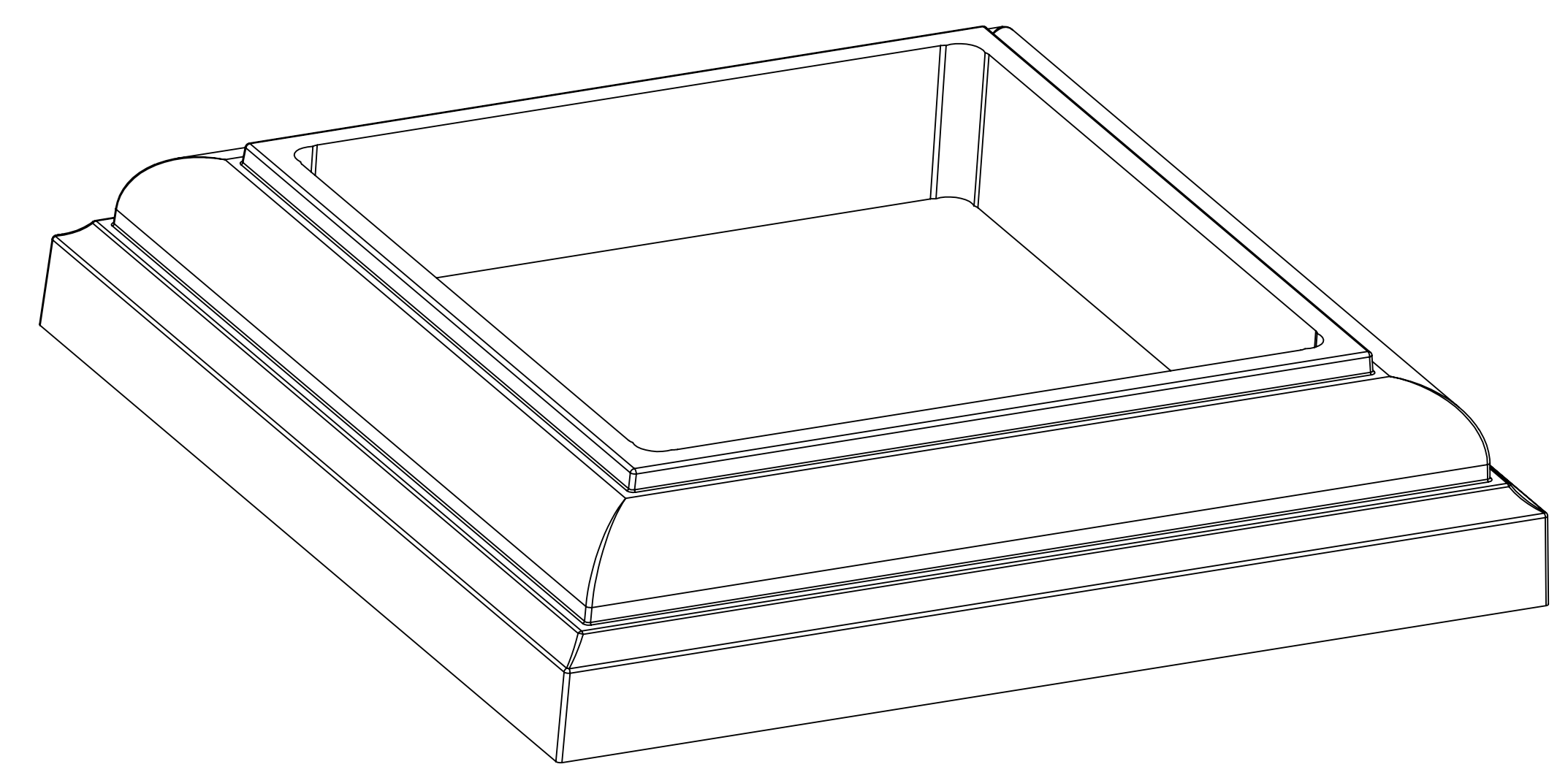


REVISIONS				
ZONE	REV.	DESCRIPTION	DATE	APPROVED



DETAIL B
SCALE 2 : 1

SECTION A-A



TOLERANCES UNLESS SPECIFIED			REV
FRACTIONAL	± 1/64		A
ANGULAR	± 1/2°	SHEET DESCRIPTION:	
.XX	± .02	AZEK 5.500 SKIRT	
.XXX	± .010	CUSTOMER: AZEK/TIMBERTECH	
.XXXX	± .001	PART NUMBER:	
DESIGN: F.LOFIUS	9/19/13	THIRD ANGLE PROJECTION	
APPROVED:	MM/DD/YY	SCALE: 1=1	
RELEASE DATE: MM/DD/YY	SCALE: 1=1	MATERIAL: PVC	SHRINKAGE: N/A
		SHEET 1 OF 1	