



POLYWOOD

Assembly Instructions



Having Trouble?

If you have questions or concerns regarding assembly instructions or missing parts, please contact us at (833) 665-6300 or email support@polywoodoutdoor.com



Share your space

We love to see where our furniture ends up — snap a pic and share it on Instagram or Facebook!
#polywood



Watch & Learn

For assembly videos and more, visit [youtube.com/polywood](https://www.youtube.com/polywood)



8100, 8101, 8102 MOD 36" Table

20-Year Warranty

To view our full warranty, please visit polywoodoutdoor.com/warranty

Easily register your product using one of the methods below:

Text POLYWOOD to 71403
Receive a link to register online

— or —

Register on our website
register.polywoodoutdoor.com

— or —

Send a Picture
Take a photo of the icon below and text it to 71403 (US only)



Cleaning Tips

Even POLYWOOD gets dirty — here are some ways to help keep it clean:

For a quick clean:
Simply wipe down with soap and water.

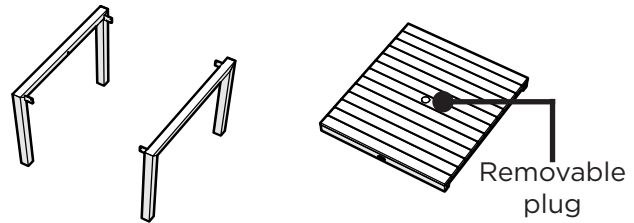
For a deeper clean:
You'll need:
» 1/3 bleach and 2/3 water solution
» clean cloth
» soft bristle brush
Wipe on solution with your cloth and let it sit on the lumber for a few minutes (this will not affect the color). Then, loosen any dirt and debris that may catch in surface grooves with a soft bristle brush; hose down to rinse.

TOOLS



7/16" wrench
(not included)

PARTS



A x 12



.25" Bolt— HHC.25-20X.5

B x 2



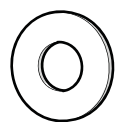
.25" Bolt-HHC.25-20X1.75

C x 12



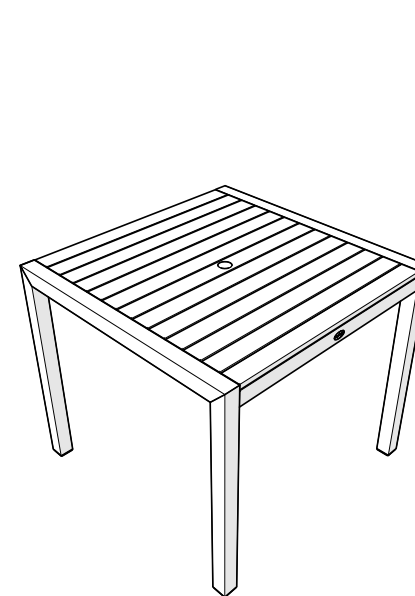
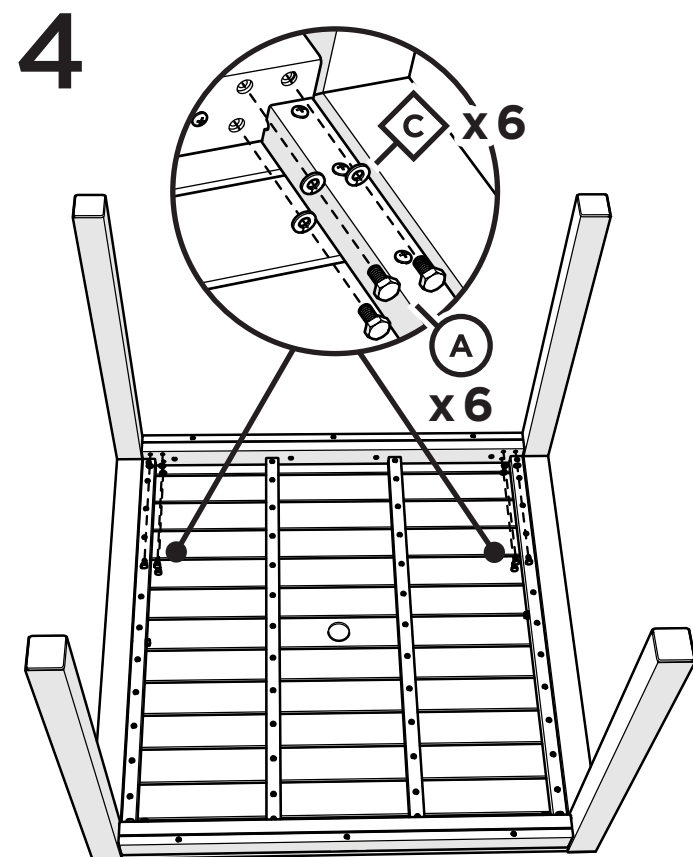
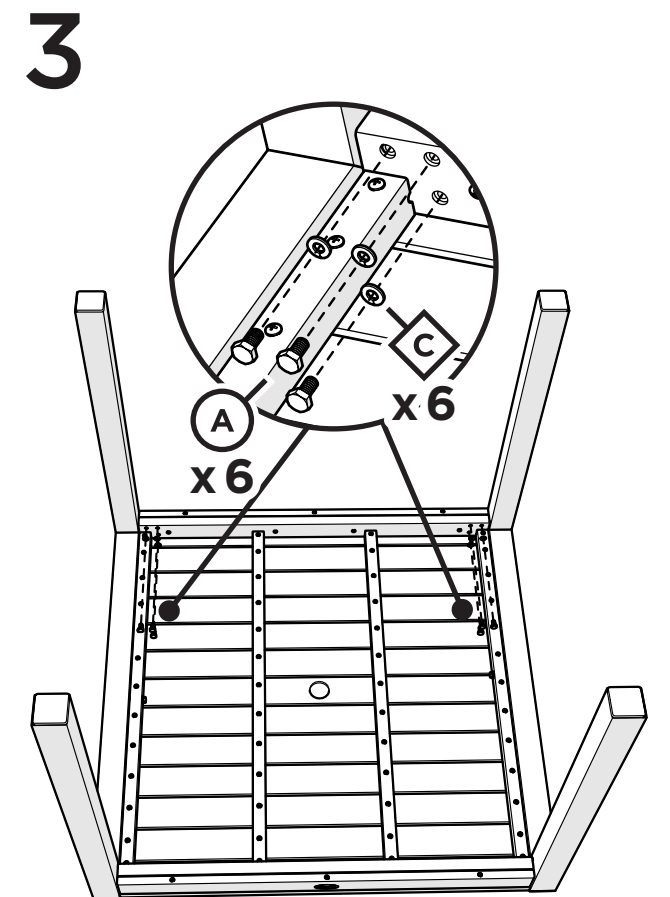
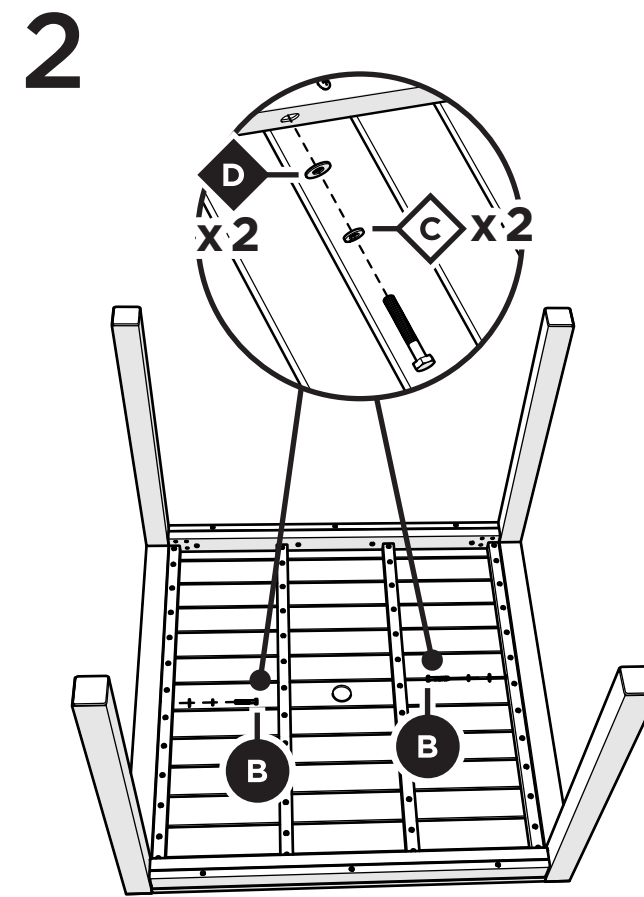
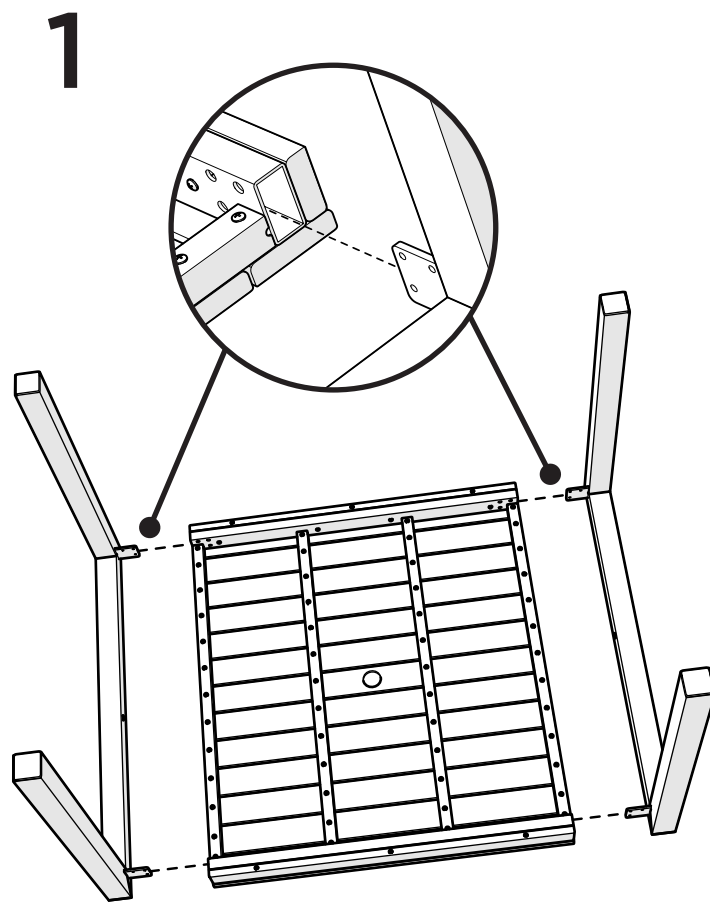
Spring Lock Washer
HW.25SL

D x 2

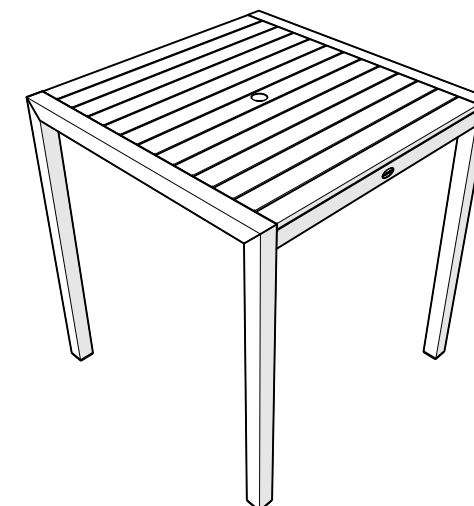


Washer

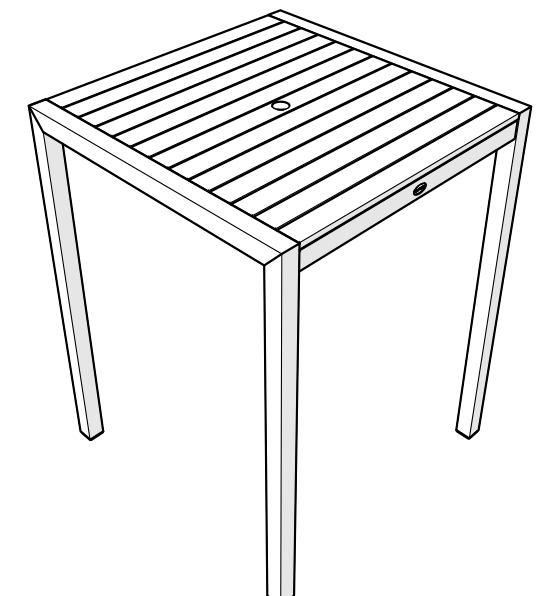
Something missing?
Call (833) 665-6300



8100



8101



8102