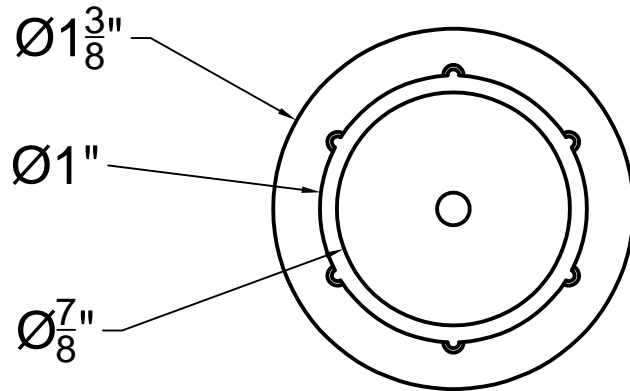
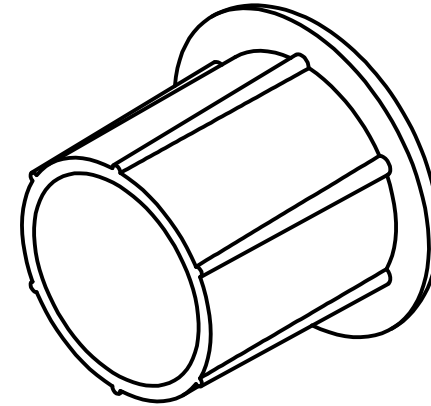
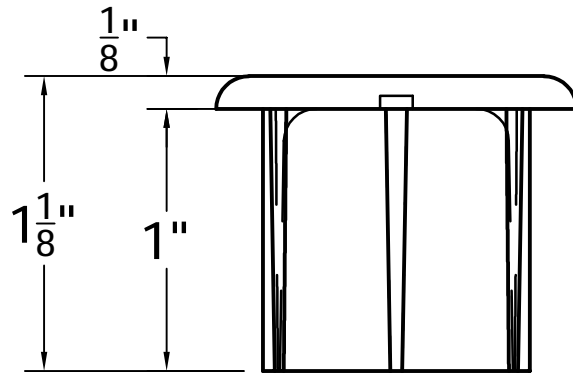


REV.	LOC.	REVISION	DATE



**ADA**  
Continuous Handrail  
**ALUMINUM**

**DSI** Digger  
Specialties  
Inc.  
3446 US 6 EAST  
Bremen, IN 46506  
diggerspecialties.com

DRAWN BY: EH	STYLE:	Internal End Cap
DATE DRAWN: 07-10-2019	AS SHOWN:	
SCALE = 1":1"	DRAFT NO.: 20190710-1E	LOC: Z:\Aluminum\ADA Continuous Handrail
		REV.

4

3

2

1

D

C

B

A