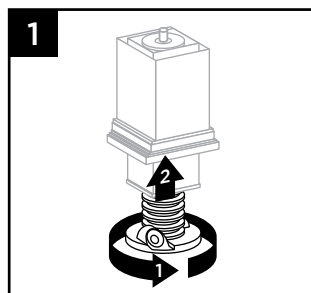


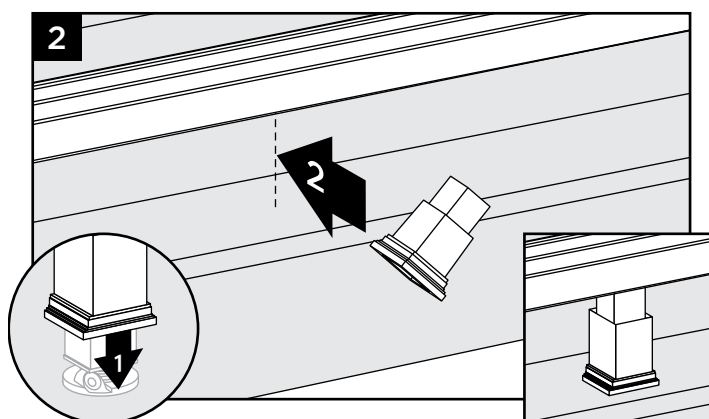
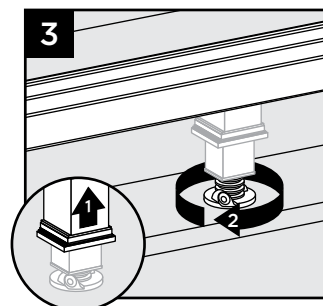
### HOW TO INSTALL TREX TRANSCEND UNIVERSAL RAILING FOOT BLOCKS

**NOTE:** Foot block is to be installed after railing section has been assembled. One foot block is required per each section of installation.

1. Twist turn mount so foot block is at smallest height.

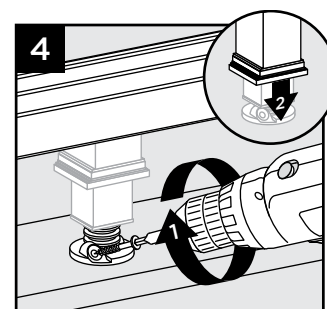


3. Slide the foot block sleeve up and twist the turn mount to the left until foot block is fully tightened in between decking surface and lower rail. Make sure the foot block is aligned with hole previously drilled into lower railing. Mounting holes on turn mount should be facing out to allow for attachment to decking surface.



2. Slide foot block sleeve over foot block base. Position under bottom rail at location where hole was previously drilled.

4. Attach foot block turn mount to decking surface using one #8-10 screw (included). **DO NOT** overtighten screw. Slide foot block sleeve back down into position.

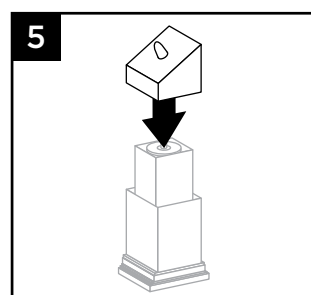


### HOW TO INSTALL TREX TRANSCEND UNIVERSAL STAIR RAILING FOOT BLOCKS

**NOTE:** Foot block is to be installed after railing section has been assembled. One foot block is required per each section of installation.

5. Place foot block stair adaptor on top of assembled foot block.

**NOTE:** Adaptor is designed to fit loosely to allow for differences in stair angles.

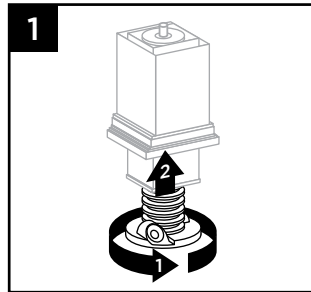


6. Follow all other instructions as stated above Ensure that foot block is placed at location where hole was drilled in lower stair rail to allow for foot block to fit properly.

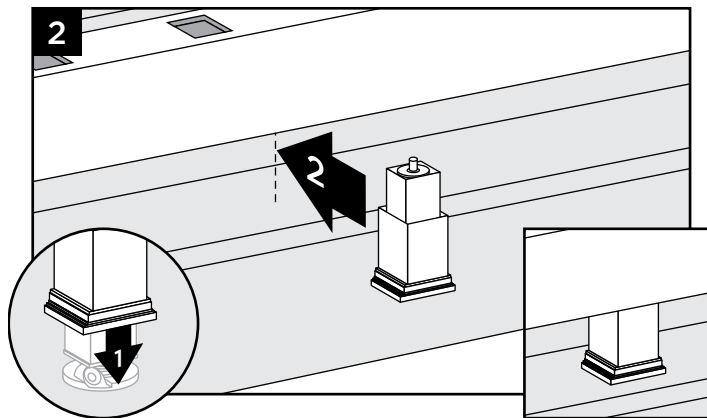
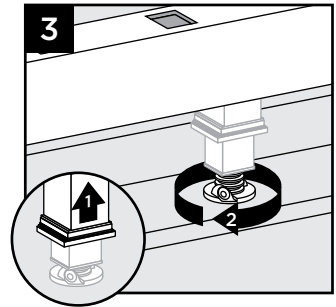
### HOW TO INSTALL TREX SELECT AND ENHANCE RAILING FOOT BLOCKS

**NOTE:** Foot block is to be installed after railing section has been assembled. One foot block is required per each section of installation.

1. Twist turn mount so foot block is at smallest height.

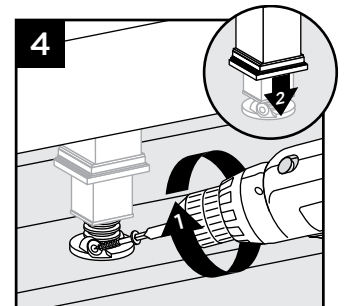


3. Slide the foot block sleeve up and twist the turn mount to the left until foot block is fully tightened in between decking surface and lower rail. Make sure the foot block is aligned with hole previously drilled into lower railing. Mounting holes on turn mount should be facing out to allow for attachment to decking surface.



2. Slide foot block sleeve over foot block base. Position under bottom rail at location where hole was previously drilled.

4. Attach foot block turn mount to decking surface using one #8-10 screw (included). **DO NOT** overtighten screw. Slide foot block sleeve back down into position.

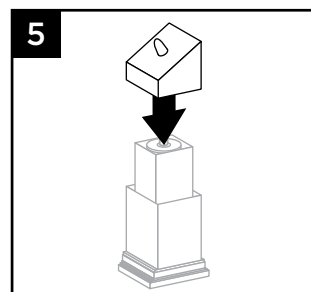


### HOW TO INSTALL TREX SELECT AND ENHANCE STAIR RAILING FOOT BLOCKS

**NOTE:** Foot block is to be installed after railing section has been assembled. One foot block is required per each section of installation.

5. Place foot block stair adaptor on top of assembled foot block.

**NOTE:** Adaptor is designed to fit loosely to allow for differences in stair angles.



6. Follow all other instructions as stated above. Ensure that foot block is placed at location where hole was drilled in lower stair rail to allow for foot block to fit properly.