

# TREX TRANSCEND® RAILING

## Installation Instructions

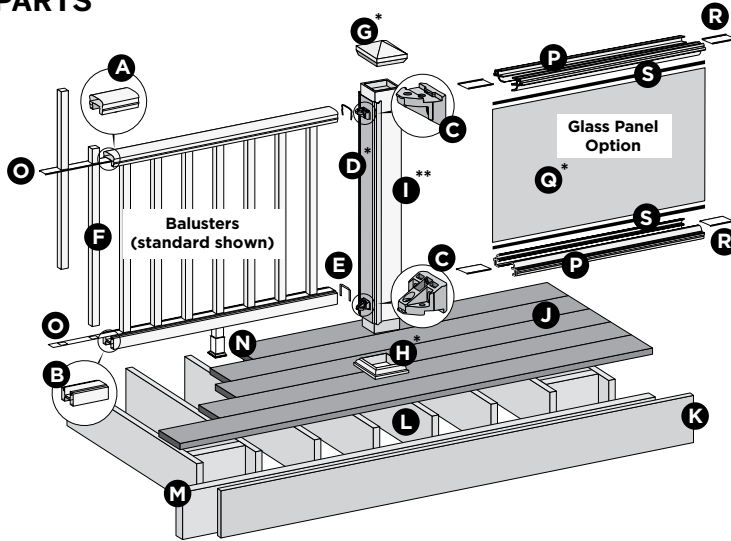


### NOTES:

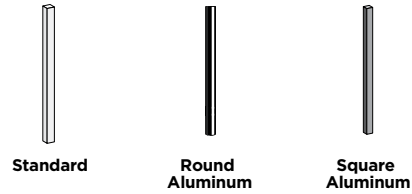
» TREX TRANSCEND RAILINGS ARE DESIGNED TO BE INSTALLED OVER THE DECKING FRAME OR ON INSIDE OF RIM JOIST. NOTCHING OF PRESSURE-TREATED POSTS OR POSTS INSTALLED ON OUTSIDE OF RIM JOIST ARE NOT ALLOWED.

» All Trex Transcend railing lengths are manufactured at ON CENTER dimensions (spanning from center of each post): 67-5/8" (1718 mm) for 6' (1.83 m) on center, and 91-5/8" (2353 mm) for 8' (2.44 m) on center. Note that railings are designed to be slightly longer than required to allow for very slight play in post placement – some minimal trimming may be required. IT IS VERY IMPORTANT TO MEASURE FIRST.

### PARTS



### BALUSTER OPTIONS



**NOTE:** Pictorial representations shown may only show one style of railing, while others may also be used. Review detailed instructions to determine what railing styles and combinations can be used.

### DETERMINING BALUSTERS NEEDED

Baluster Type	Per 6' OC Section	Per 8' OC Section
Square (Horizontal Application)	13	18
Square (Stair Application)	11	15
Round/Square Aluminum (Horizontal Application)	15	20
Round/Square Aluminum (Stair Application)	12	16

**NOTE:** Basic installation for balusters is the same for all options. When using round or square aluminum balusters, use correct baluster spacers.

**NOTE:** If installing 42" (1067 mm) railing, use longer posts sleeves and measure accordingly to ensure a proper cut. **DO NOT CUT TO ACTUAL 42" LENGTH WITHOUT CONFIRMING WHAT STYLE OF RAILING YOU ARE INSTALLING.**

**NOTE:** If using post mounts, refer to detailed instructions provided with post mounts for attaching these prior to installation of any railing type.

- A. Crown or Universal
- B. Universal
- C. Trex railing support bracket (RSB)
- D. TrexExpress™ Railing Assembly Template\*
- E. Rail gaskets
- F. Balusters
- G. Post sleeve cap\*
- H. Post sleeve skirt\*
- I. Post sleeve – 4" x 4" (102 mm x 102 mm) or 6" x 6" (152 mm x 152 mm) post sleeve)\*\*
- J. Trex decking
- K. Trex fascia
- L. Code-approved wood joist – 2" x 8" (51 mm x 203 mm)
- M. Code-approved wood rim joist – 2" x 8" (51 mm x 203 mm) or larger
- N. Adjustable foot block
- O. Baluster spacer

### Trex Transcend Glass Panel Parts List

- P. Panel support molding
- Q. Tempered glass panel\*
- R. Trex panel support molding spacer
- S. Weatherstripping

\* Item not included in the Transcend railing kits.

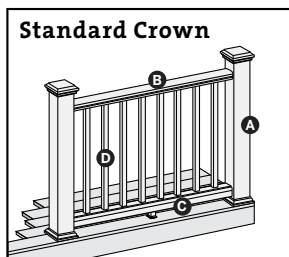
\*\* Both 4" x 4" (102 mm x 102 mm) and 6" x 6" (152 mm x 152 mm) post sleeves are designed to fit over 4x4 pressure-treated post.

# TREX TRANSCEND® RAILING

## Installation Instructions

### TREX TRANSCEND RAILING CONFIGURATIONS

**Note:** See specific installation instructions for attachment of Trex post mounts or Trex Joist Mount Posts prior to installing any railing.



Cutting post sleeves is **NOT** required.

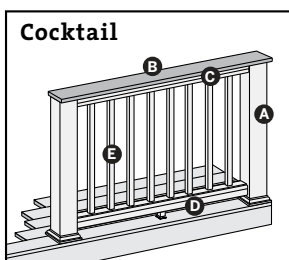
A. Pressure treated post/Trex post sleeve, Trex post mount/Trex post sleeve\*, or Joist Mount Post/Trex post sleeve\* (INSIDE MOUNT ONLY)

B. Crown rail

C. Universal bottom

D. Trex balusters

See page 3 for "How to Install Standard Railing".



Post sleeves **WILL NEED TO BE CUT**.

A. Pressure-treated post with Trex Transcend post sleeve

**NOTE:** » Only for use with 4" x 4" (102 mm x 102 mm) post sleeve.

» Trex post mounts cannot be used with Transcend cocktail design.

B. Deck board top rail. **NOTE:** Contour and Escapes cannot be used.

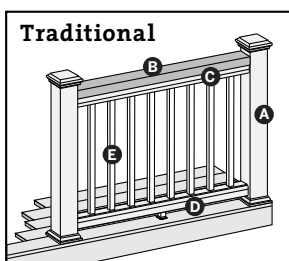
C. Universal top rail

D. Universal bottom

E. Trex balusters

See page 5 for "How to Install Cocktail Railing".

**POST SLEEVES WILL NEED TO BE CUT**



Cutting post sleeves is **NOT** required.

A. Pressure treated post/Trex post sleeve, Trex post mount/Trex post sleeve\*, or Joist mount post/Trex post sleeve\* (INSIDE MOUNT ONLY)

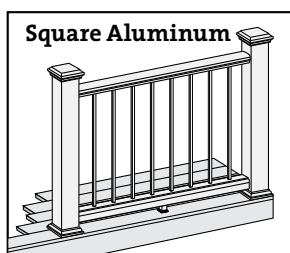
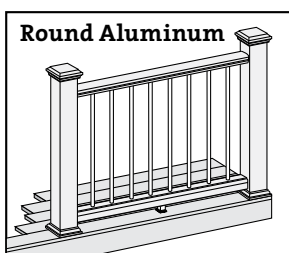
B. 2" x 4" (51 mm x 102 mm) lateral top rail

C. Universal top rail

D. Universal bottom

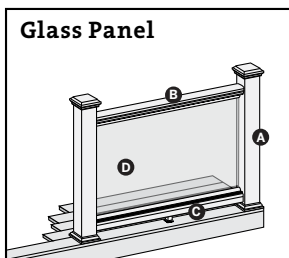
E. Trex balusters

See page 6 for "How to Install Traditional Railing".



» Follow desired railing style instructions found above, substituting correct baluster spacer for type of baluster being used.

» Refer to detailed instructions for added steps when using round and square aluminum balusters. See page 7.



Cutting post sleeves is **NOT** required.

A. Pressure treated post/Trex post sleeve, Trex post mount/Trex post sleeve\*\*, or Joist mount post/Trex post sleeve\*\* (INSIDE MOUNT ONLY)

B. Crown rail (use universal rail if building cocktail or traditional design with glass inserts)

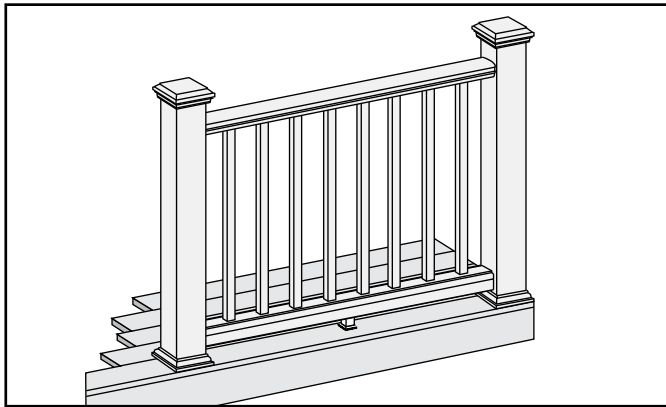
C. Universal bottom

D. Tempered glass panel (**NOT** included in kit)

See page 9 for "How to Install Standard Glass Panel Railing"; page 10 for "How to Install Cocktail Style Glass Panel Railing" (\*\***NOTE:** Trex Post Mounts or Trex Joist Mount Posts cannot be used with this railing configuration), and page 12 for "How to Install Traditional Style Glass Panel Railing".

**NOTE:** Glass panels are **NOT** recommended in stair applications.

## HOW TO INSTALL STANDARD RAILING TREX TRANSCEND



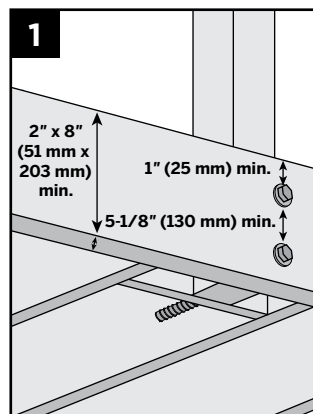
**Read all instructions BEFORE installation.**

**Important:** Post sleeves are **NOT** to be cut for this design style.

### Installing Pressure-Treated Posts

» Posts are to be installed **6' (1.83 m) or 8' (2.44 m) on center to accommodate appropriate railing length.**

- » Attach posts using 1/2" (130 mm) carriage bolts.
- » Minimum joist size is 2" x 8" (51 mm x 203 mm).
- » Top bolts must be 1" (25 mm) from tops of joists.
- » Bottom bolts must be 5-1/8" (130 mm) from top bolts.

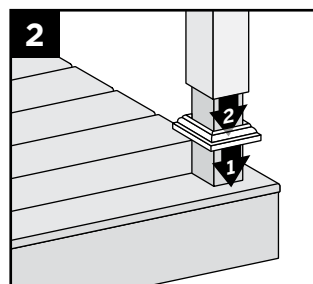


**NOTE:** Blocking can be added for extra strength.

### Installing Post Sleeve Skirts and Post Sleeves

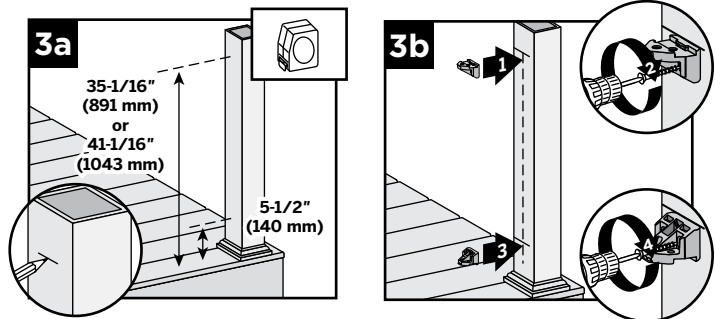
2. Slide post sleeve skirt over post and down to rest on decking surface. Slide post sleeve over post and position inside post sleeve skirt.

**NOTE:** Shims can be used to plumb post sleeves.



### Installing Railing Support Brackets (RSBs)

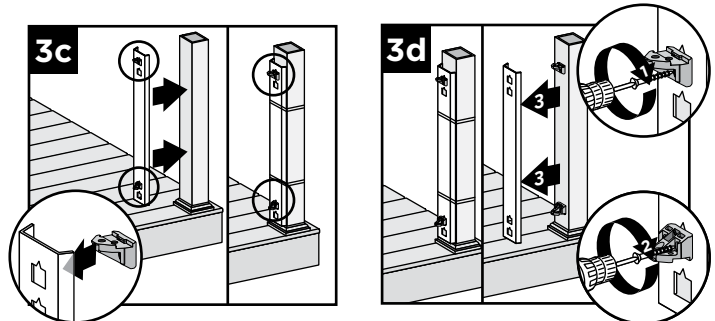
**Option 1:** Without TrexExpress railing template



3a. Mark 5-1/2" (140 mm) and 35-1/16" (891 mm) from deck surface **OR** for 42" (1067 mm) height, mark 5-1/2" (140 mm) and 41-1/16" (1043 mm) from the deck surface.

3b. Place RSBs directly under marks, center on posts, and secure with 2" (51 mm) wood screws (provided with post sleeve). **Place top RSBs flat side UP, bottom RSBs flat side DOWN.**

**Option 2:** With TrexExpress railing template



3c. Place RSBs in template. **Place top RSBs flat side UP, bottom RSBs flat side DOWN.** Secure template on post with tape or rubber band, with bottom of template resting on post skirt.

3d. Secure RSBs with 2" (51 mm) wood screws (provided in railing kit) and remove template.

**NOTES:** Special steps are necessary when using 6" x 6" (152 mm x 152 mm) plastic TrexExpress template.

- » Cut off 1/2" (13 mm) from the bottom (blue arrows up) of the tool **BEFORE** first use.

- » Position top RSBs **ONLY**, 6" (152 mm) higher for 42" (1067 mm) rail height.

- » Secure RSBs with 2-1/2" (64 mm) wood screws (provided with post sleeve) and remove template.

# TREX TRANSCEND® RAILING

## Installation Instructions

### HOW TO INSTALL STANDARD RAILING/CONTINUED TREX TRANSCEND

#### Cutting Railings

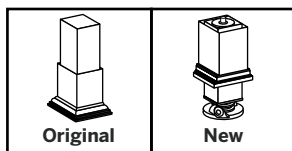
4. Measure between posts and cut rails to same length.

#### NOTES:

- » If using optional rail gaskets, subtract 1/16" (1.6 mm) from each end.
- » Attach baluster spacers to railing before cutting to allow for cleaner cut and less work.
- » When measuring, cut equal lengths from each side of railing and baluster spacer to ensure equal spacing of balusters per each railing section.
- » In some cases, the gasket can be attached before tightening railing to RSB.
- » If gaskets are tight, use a small flat head screwdriver to compress the tabs of the gasket if they are stuck outside the rail.

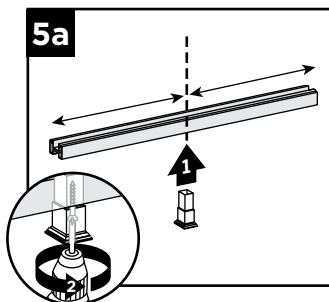
#### IMPORTANT NOTE REGARDING FOOT BLOCK INSTALLATION:

- » Determine which style of foot block is included. Original foot block is a one-piece part that is adjustable. New foot block is a two-piece part with turning base mount.
- » Also refer to detailed instructions (Trex Transcend® rail instructions) included with foot block prior to installation of railing section as these include other required steps for proper installation.



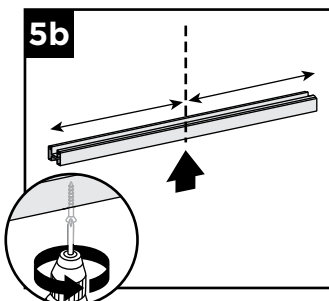
#### If Attaching Original Foot Block to Bottom Rail

- 5a. Center foot block in universal rail channel and attach per Original foot block instructions. **DO NOT** extend foot block.

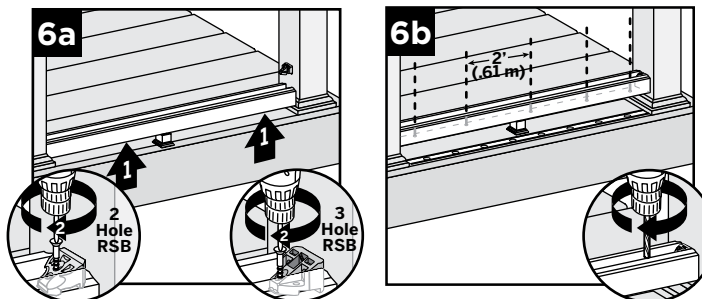


#### If Attaching New Foot Block to Bottom Rail

- 5b. Invert the bottom rail. Center and drill a hole using a 3/16" drill bit. This will be location for foot block attachment (to be installed last).



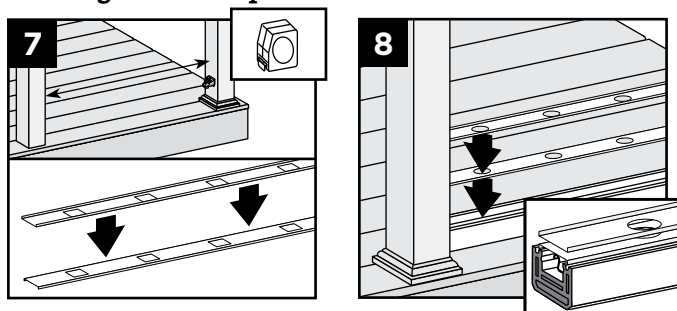
#### Attaching Bottom Rail (Universal Rail), Adding Weep Holes



- 6a. Lift bottom rail so RSBs are in the channel and attach with three self-tapping screws provided (use three outer holes; do not use hole in RSB that is closest to post). If two hole bracket is included, attach with two self-tapping holes (provided).

- 6b. Center and drill 5/16" (8 mm) weep holes through bottom rail channel to allow for water drainage. Holes should be placed between first two balusters on each side and approx. 2' (610 mm) spans along length of rail. **Note:** To determine weep hole locations, temporarily place lower baluster spacer beside lower rail and mark inside of channel in locations accordingly.

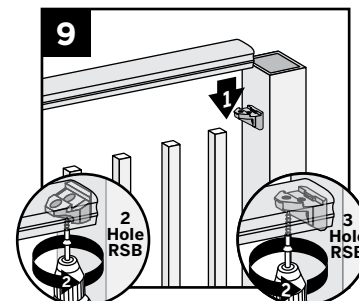
#### Placing Baluster Spacers and Balusters



7. Cut baluster spacers the same length as rails, equally spaced so holes line up.
8. Snap baluster spacer into bottom rail. Place inverted baluster spacer on top of first baluster spacer. Place balusters in baluster spacer holes.

#### Attaching Top Rail – Crown Rail

9. Place crown rail on RSBs with balusters in rail channels. Attach top rail to RSB with three self-tapping screws provided (use three outer holes; do

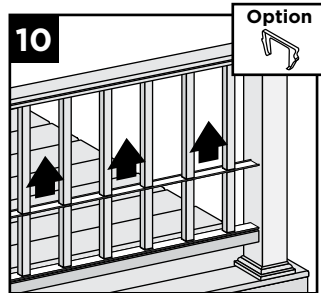


4

## HOW TO INSTALL STANDARD RAILING/CONTINUED TREX TRANSCEND

not use hole in RSB that is closest to post). If two hole bracket is included, attach with two self-tapping holes (provided).

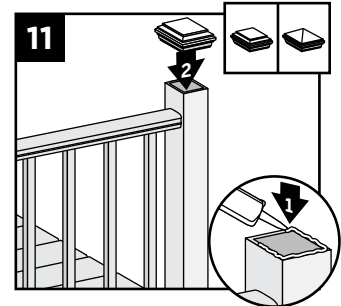
- Slide baluster spacer up and snap into top rail. Place optional top rail gaskets on each end of rail.



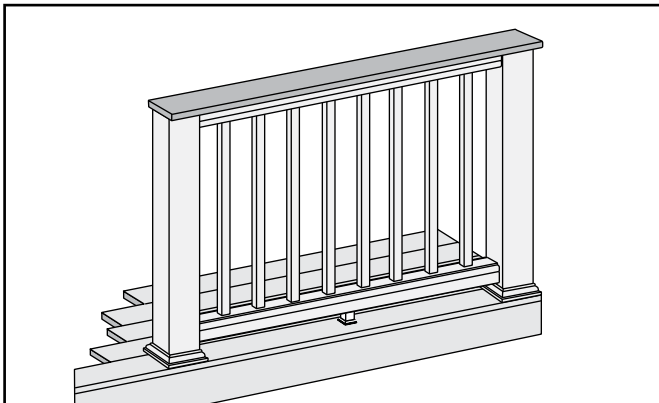
### Attaching Post Caps and Installing New Foot Blocks

- Secure post caps with silicone or PVC adhesive. Attach New foot block per foot block instructions.

**Note:** Clean-up any excess adhesive before drying.



## HOW TO INSTALL COCKTAIL RAILING TREX TRANSCEND



**Important: ONLY** use with 4" x 4" (102 mm x 102 mm) post and post sleeve. Cutting post and post sleeve **ONLY** apply to the Cocktail style railing.

### 1. Installing Pressure-Treated Posts

See instructions on page 3.

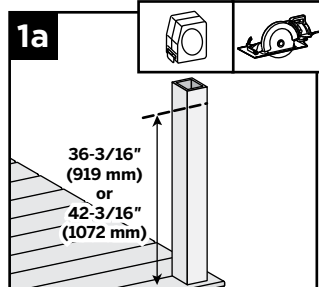
### Cutting Post and Post Sleeve

- Mark and cut post and post sleeve measuring from deck surface:

- » 36-3/16" (919 mm) for 36" (914 mm) height.
- » 42-3/16" (1072 mm) for 42" (1067 mm) height.

### 2. Installing Post Sleeve Skirts and Post Sleeves

See instructions on page 3.



### 3. Installing Railing Support Brackets (RSBs)

See instructions on page 3.

### 4. Cutting Railings

See instructions on page 4.

### 5. Attaching Foot Block

See instructions on page 4.

### 6. Attaching Bottom Rail (Universal Rail), Adding Weep Holes.

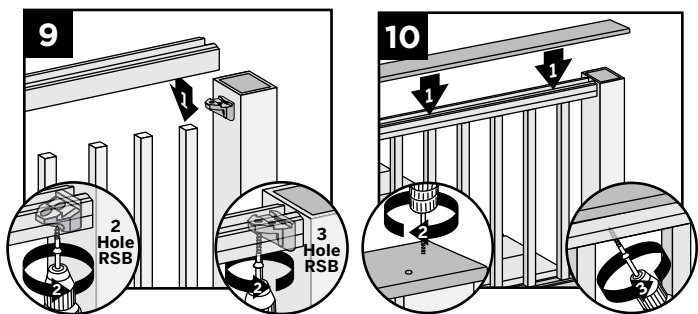
See instructions on page 5.

### 7-8. Placing Baluster Spacers and Balusters

See instructions on page 5.

### Attaching Inverted Universal Rail as Top Rail

- Place inverted universal rail onto RSBs with balusters



in channel. Attach universal rail to RSBs with three self-tapping screws provided (use three outer holes; do not use hole in RSB that is closest to post). If two hole bracket is included, attach with two self-tapping holes (provided).

- Place deck boards (**DO NOT** use Escapes deck boards for top rail) over universal rails. Attach boards on each post with Trex-recommended composite screws (quantity of 2 per each board end). Secure boards to



# TREX TRANSCEND® RAILING

## Installation Instructions

### HOW TO INSTALL COCKTAIL RAILING/CONTINUED TREX TRANSCEND

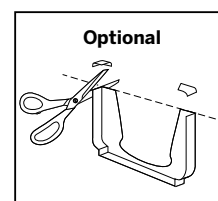
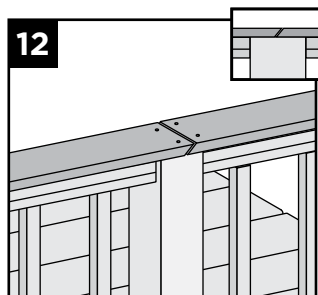
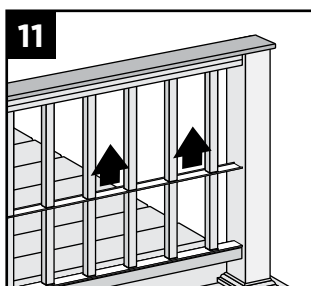
universal rails from underside of railing into bottom of decking board, with 2" (51 mm) pan-head screws (not provided) at an angle every 16" (406 mm) on center.

#### IMPORTANT NOTES:

- » If using Select decking, **USE** maximum length 1-3/4" (44 mm) screw and **NOT** 2" (51 mm) screw.
- » Screws that are used for attachment of decking board to railing **MUST** be attached at angle to prevent screw from penetrating through the top of decking board.

11. Slide baluster spacers up and snap into universal rails.

**NOTE:** If necessary, cut tips off rail gaskets prior to installation.

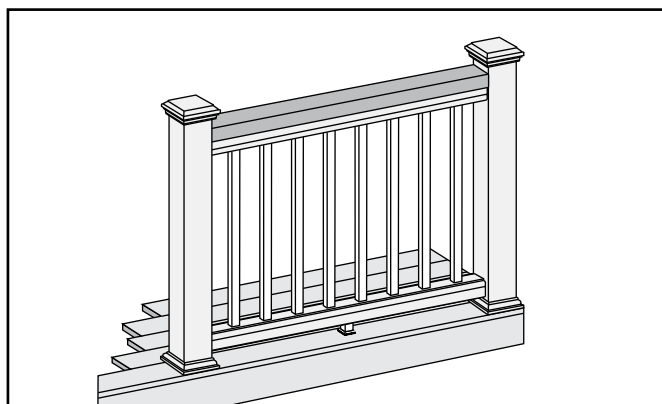


12. Use scarf cut for posts where two deck boards meet.

#### NOTES:

- » If installing in weather below 40°F (4.5°C), leave 1/8" (3 mm) gap between deck boards.
- » Deck boards can overhang end of last post maximum 1/2" (13 mm).

### HOW TO INSTALL TRADITIONAL RAILING TREX TRANSCEND



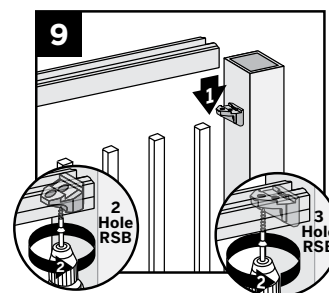
1. **Installing Pressure-Treated Posts**  
See instructions on page 3.
2. **Installing Post Sleeve Skirts and Post Sleeves**  
See instructions on page 3.
3. **Installing Railing Support Brackets (RSBs)**  
See instructions on page 3.
4. **Cutting Railings**  
See instructions on page 4.

**6**

5. **Attaching Foot Block**  
See instructions on page 4.
6. **Attaching Bottom Rail (Universal Rail), Adding Weep Holes**  
See instructions on page 5.
- 7-8. **Placing Baluster Spacers and Balusters**  
See instructions on page 5.

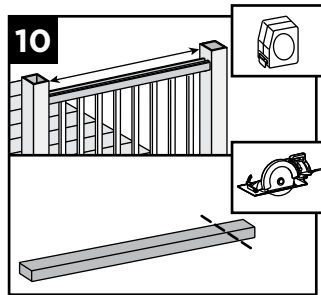
#### Attaching Inverted Universal Rail as Top Rail

9. Place inverted universal rail onto RSBs with balusters in channel. Attach universal rail with three self-tapping screws provided (use three outer holes; do not use hole in RSB that is closest to post). If two hole bracket is included, attach with two self-tapping holes (provided).

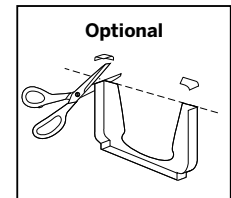
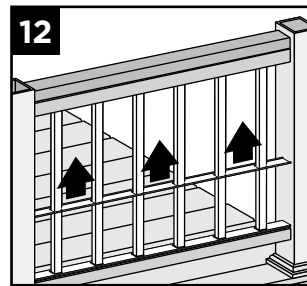
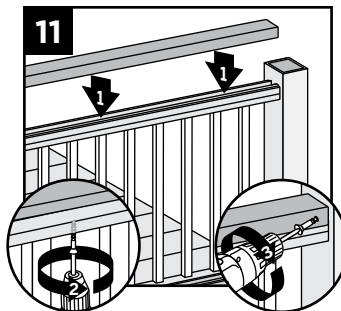


## HOW TO INSTALL TRADITIONAL RAILING/CONTINUED TREX TRANSCEND

10. Measure between posts and cut 2" x 4" (51 mm x 102 mm) to length. Place 2" x 4" (51 mm x 102 mm) on universal rail. Attach board to rail with 2" (51 mm) pan-head screws (not provided) every 16" (406 mm) on center.



11. Pre-drill a pilot hole and toenail 2-1/2" (64 mm) composite decking screw (not provided) at each end of 2" x 4" (51 mm x 102 mm) into post on back side of rail (side not facing decking).



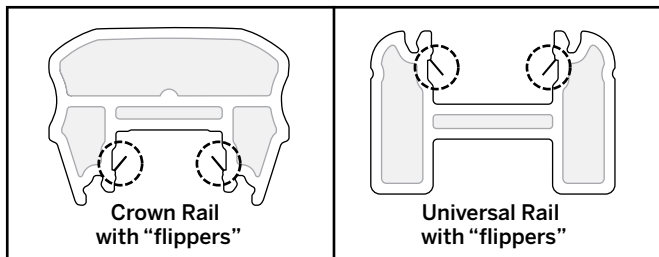
12. Slide baluster spacer up and snap into universal rail.

**NOTE:** If necessary, cut tips off rail gaskets prior to installation.

### 13. Attaching Post Caps and Installing New Foot Block

See instructions on page 4.

## HOW TO INSTALL ROUND OR SQUARE ALUMINUM BALUSTERS TREX TRANSCEND

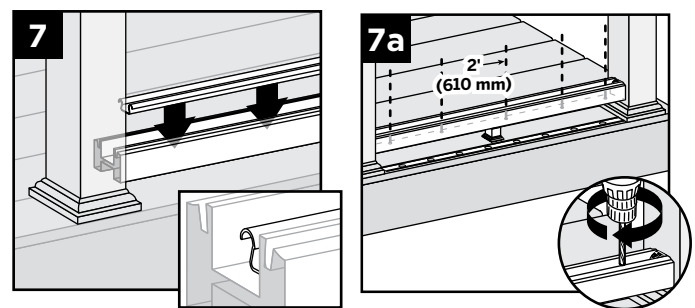


**NOTE:** Older style crown and universal rails have "flippers" on the inside of the channels. Using **EXTREME CAUTION**, remove/cut these flippers on each side to allow for the fit of the aluminum baluster adaptor strip.

- Installing Pressure-Treated Posts**  
See instructions on page 3.
- Installing Post Sleeve Skirts and Post Sleeves**  
See instructions on page 3.
- Installing Railing Support Brackets (RSBs)**  
See instructions on page 3.
- Cutting Railings**  
See instructions on page 4.
- Attaching Foot Block**  
See instructions on page 4.

6. **Attaching Bottom Rail (Universal Rail), Adding Weep Holes**  
See instructions on page 5.

### Installing Aluminum Baluster Adaptor Strip, Adding Weep Holes, and Baluster Spacers



7. After bottom rail is fully installed, place aluminum baluster adaptor strip into channel of bottom rail, ensuring that it's fully seated into the channel. When rail lengths are non-standard, the baluster adaptor strip will need to be cut 2-1/2" (64 mm) shorter than the rail to allow clearance for the RSB's on each end.
- 7a. Center and drill 5/16" (8 mm) weep holes through bottom rail channel and adaptor strip to allow for water drainage. Holes should be placed between first two balusters on each side and approx. 2' (610 mm) spans along length of rail.

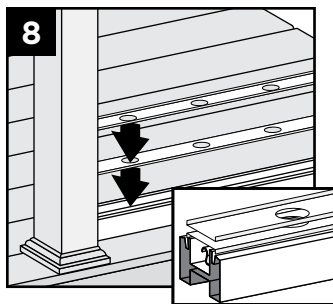
# TREX TRANSCEND® RAILING

## Installation Instructions

### HOW TO INSTALL ROUND OR SQUARE ALUMINUM BALUSTERS/CONTINUED TREX TRANSCEND

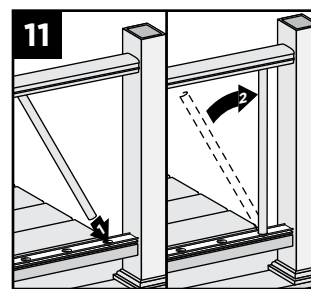
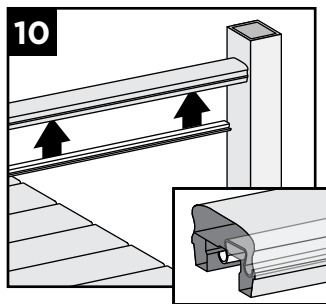
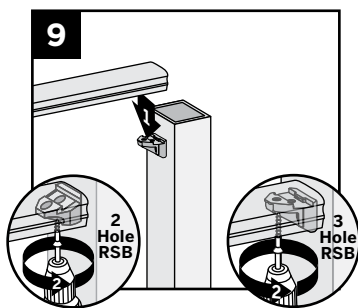
**NOTE:** To determine weep hole locations, temporarily place lower baluster spacer beside lower rail and mark inside of channel in locations accordingly.

8. Snap baluster spacer into bottom rail. Place inverted baluster spacer on top of first baluster spacer.



#### Attaching Top Rail, Aluminum Baluster Adaptor Strip, and Balusters and Bottom Baluster Spacer

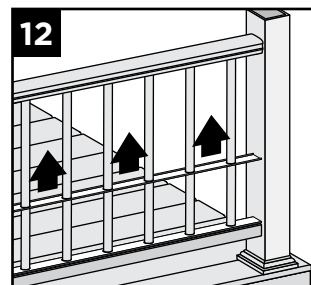
9. Place crown or rail on RSBs with balusters in rail channels. Attach top rail to RSB with three self-tapping screws provided (use three outer holes; do not use hole in RSB that is closest to post). If two hole bracket is included, attach with two self-tapping holes (provided).



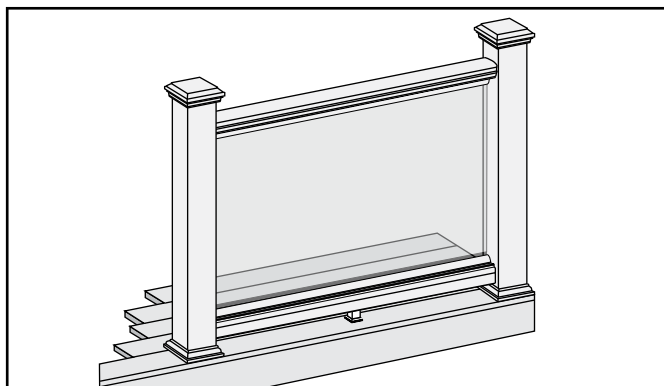
10. After top rail is fully installed, place aluminum baluster adaptor strip into channel of top rail, ensuring that it's fully seated into the channel.
11. Working at slight angle, press baluster through both baluster spacers and into bottom aluminum baluster adaptor strip, ensuring balusters are tight. Once balusters are seated into aluminum baluster adaptor strip of bottom rail, maneuver baluster into upper rail aluminum baluster adaptor strip. Some force will be needed to press balusters into place and level these.

**Tip:** Ensure balusters are level prior to attempting to slide baluster spacer up. This will allow for the baluster spacer to move up freely and snap into upper rail. Use of a rubber mallet to gently tap balusters in level is recommended.

12. Slide baluster spacer up and snap into top rail. Place optional top rail gaskets on each end of rail.



### HOW TO INSTALL STANDARD GLASS PANEL RAILING TREX TRANSCEND



#### **NOTES: Read all instructions BEFORE installation.**

- » You must purchase the 1/4" (6 mm) tempered glass panels. See dimensions below.
- » Glass panels **ONLY** for use with maximum 6' (1.83 m) on center post spacing.
- » **NOT** recommended for stair applications.

8

Have Questions?  
1-800-BUY-TREX

**NOTE:** Construction methods are always improving. Please ensure you have the most up-to-date installation instructions by visiting: [trex.com](http://trex.com)

TR-1016



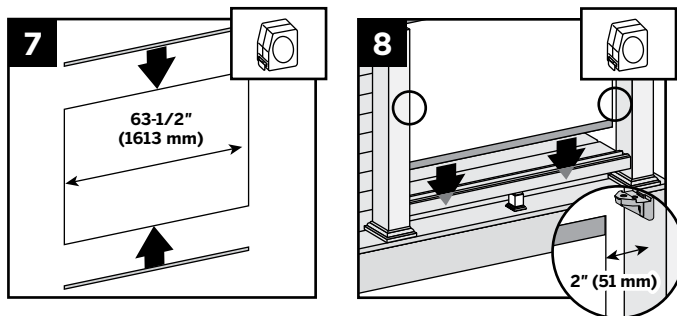
## HOW TO INSTALL STANDARD GLASS PANEL RAILING/CONTINUED TREX TRANSCEND

### TEMPERED GLASS PANEL DIMENSIONS

- » **36" (914 mm) high rail:**  
1/4" x 30" x 63-1/2" max.  
(6 mm x 762 mm x 1613 mm)
- » **42" (1067 mm) high rail:**  
1/4" x 36" x 63-1/2" max.  
(6 mm x 914 mm x 1613 mm)

1. **Installing Pressure-Treated Posts**  
*See instructions on page 3.*
2. **Installing Post Sleeve Skirts and Post Sleeves**  
*See instructions on page 3.*
3. **Installing Railing Support Brackets (RSBs)**  
*See instructions on page 3.*
4. **Cutting Railings**  
*See instructions on page 4.*
5. **Attaching Foot Block**  
*See instructions on page 4.*
6. **Attaching Bottom Rail (Universal Rail), Adding Weep Holes**  
*See instructions on page 5.*

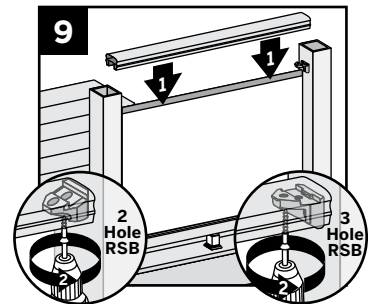
### Attaching Weatherstripping and Positioning Panel



7. Push black-edged trim onto upper and lower edges of panel. Be sure trim runs entire length of glass. Extra trim can be cut with razor blade or scissors.
8. Position panel with weatherstripping into lower rail channel. Center panel between posts with about 2" (51 mm) of air space on each side of panel.

### Attaching Top (Crown) Rail

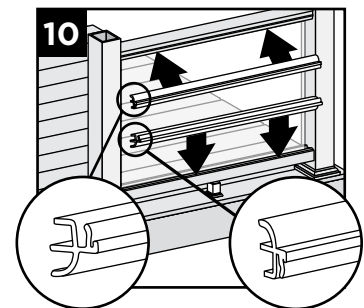
9. Place top rail over RSB brackets and glass panel. Attach top rail to RSB with three self-tapping screws provided (use three outer holes; do not use hole in RSB that is closest to post). If two hole bracket is included, attach with two self-tapping holes (provided).



**NOTE:** Avoid hitting glass panel while using the drill.

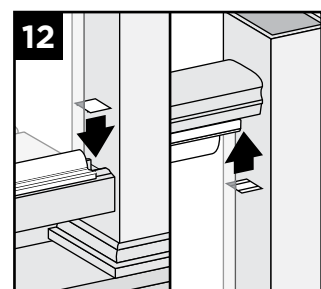
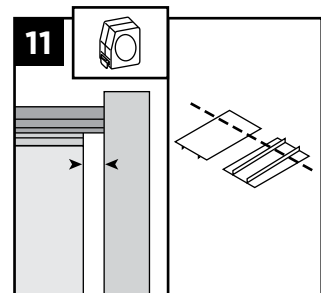
### Attaching Panel Support Molding

10. Push PSM into rail to complete snap connection. Lower rail PSM edge rests on top of rail. Top rail PSM snaps flush into rail.



### Hiding Brackets

11. Cut Transcend baluster spacer into four lengths equal to distance between the glass panel and posts. Cut slowly and one at a time, to avoid chipping.
12. Snap spacer into bottom and top rail to hide brackets and create a seamless look.



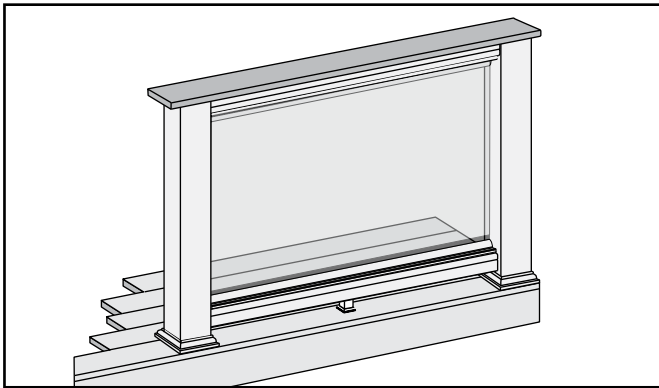
13. **Attaching Post Caps and Installing New Foot Blocks**

*See instructions on pages 4 and 5.*

# TREX TRANSCEND® RAILING

## Installation Instructions

### HOW TO INSTALL COCKTAIL STYLE GLASS PANEL RAILING TREX TRANSCEND



#### NOTES: Read all instructions BEFORE installation.

- » You must purchase the 1/4" (6 mm) tempered glass panels. See dimensions at right.
- » Glass panels **ONLY** for use with maximum 6' (1.83 m) on center post spacing.
- » **NOT** recommended for stair applications.
- » Trex post mounts cannot be used for this application.

#### TEMPERED GLASS PANEL DIMENSIONS

- » **36" (914 mm) high rail:**  
1/4" x 30" x 63-1/2" max.  
(6 mm x 762 mm x 1613 mm)
- » **42" (1067 mm) high rail:**  
1/4" x 36" x 63-1/2" max.  
(6 mm x 914 mm x 1613 mm)

#### 1. Installing Pressure-Treated Posts

See instructions on page 3.

**NOTE:** If installing glass with cocktail rail design, rail posts and post sleeves must be cut.

#### 1a. Cutting Post and Post Sleeve

See instructions on page 3.

#### 2. Installing Post Sleeve Skirts and Post Sleeves

See instructions on page 3.

#### 3. Installing Railing Support Brackets (RSBs)

See instructions on page 3.

#### 4. Cutting Railings

See instructions on page 4.

#### 5. Attaching Foot Block

See instructions on page 4.

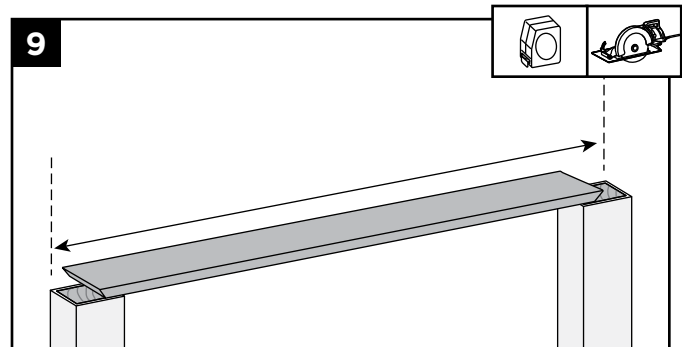
#### 6. Attaching Bottom Rail (Universal Rail), Adding Weep Holes

See instructions on page 5.

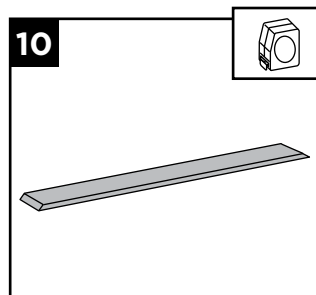
#### 7-8. Attaching Weatherstripping and Positioning Panel

See instructions on page 9.

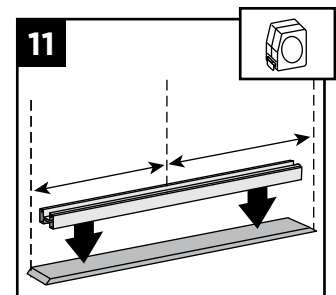
#### Attaching Top Rail



9. Cut deck boards to appropriate length of railing span, remembering to include extra space on each side of the deck board to allow for attachment to the post. Decking boards must cover 1/2 of the pressure-treated post to allow this to be fastened later. If you include extra decking material on each side this can be cut off later if need be.



10. Place inverted deck board (place top side of deck board down) on clean, flat surface. (**DO NOT** use Escapes deck boards for top rail.)



11. Place universal rail (orient this properly so when flipped over, the universal rail will accept the baluster spacer and balusters), on the deck board, centered in both directions to allow final attachment to post.

10

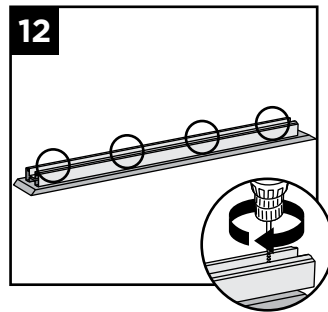
Have Questions?  
1-800-BUY-TREX

**NOTE:** Construction methods are always improving. Please ensure you have the most up-to-date installation instructions by visiting: [trex.com](http://trex.com)

TR-1016

## HOW TO ATTACH COCKTAIL STYLE GLASS PANEL RAILING/*CONTINUED* TREX TRANSCEND

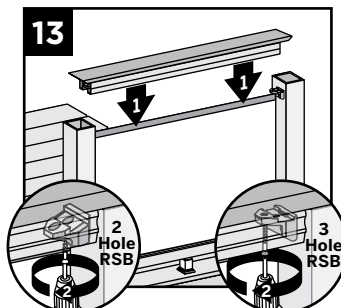
12. Secure deck board to universal rail with 2" (51 mm) pan head screws (*not provided*) approximately every 16" (406 mm) on center at an angle. (**DO NOT** overtighten. Attach from underside of railing into bottom of decking board.)



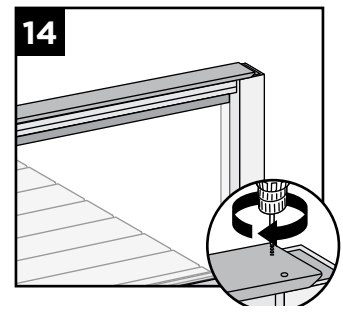
### IMPORTANT NOTES:

- » If using *Select decking*, **USE** maximum length 1-3/4" (45 mm) screw and **NOT** 2" (51 mm) screw.
- » Screws that are used for attachment of decking board to railing **MUST** be attached at angle to prevent screw from penetrating through top of decking board.

13. Place inverted universal rail with deck board attached onto RSB's with glass panel in the channel. Attach universal rail to RSB's with three self-tapping screws (use three outer holes; do not use hole in RSB that is closest to post). If two hole bracket is



- included, attach with two self-tapping holes (provided).
14. Attach deck board to post (ensure that screws are attached to wood post) with Trex recommended composite screws (quantity of 2 per each board end).

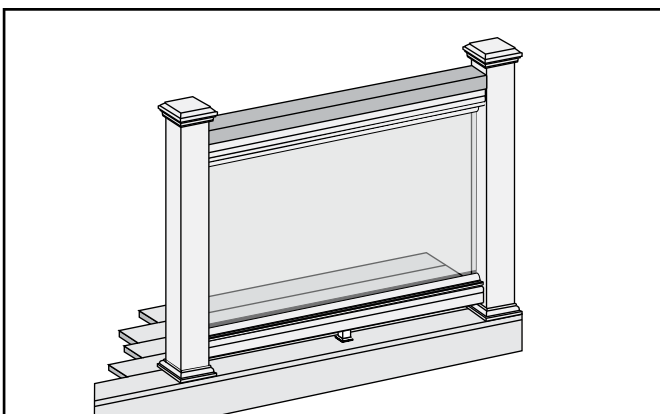


15. **Attaching Panel Support Moldings**

See instructions on page 9.

- 16-17. **Hiding Brackets** See instructions on page 9.

## HOW TO ATTACH TRADITIONAL STYLE GLASS PANEL RAILING TREX TRANSCEND



### NOTES: Read all instructions BEFORE installation.

- » You must purchase the 1/4" (6 mm) tempered glass panels. See *dimensions below*.
- » Glass panels **ONLY** for use with maximum 6' (1.83 m) on center post spacing.
- » **NOT** recommended for stair applications.

### TEMPERED GLASS PANEL DIMENSIONS

- » **36" (914 mm) high rail:**  
1/4" x 30" x 63-1/2" max.  
(6 mm x 762 mm x 1613 mm)
- » **42" (1067 mm) high rail:**  
1/4" x 36" x 63-1/2" max.  
(6 mm x 914 mm x 1613 mm)

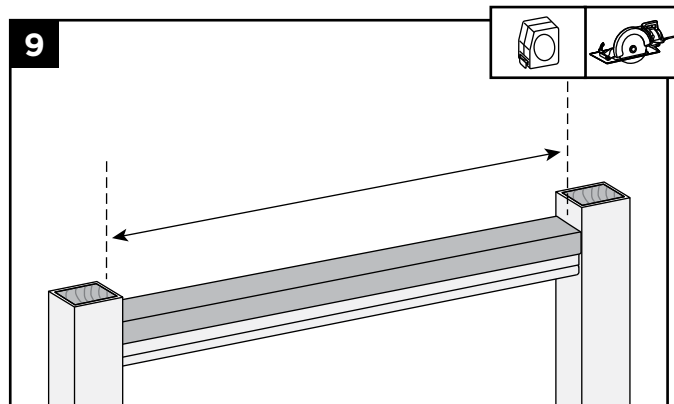
# TREX TRANSCEND® RAILING

## Installation Instructions

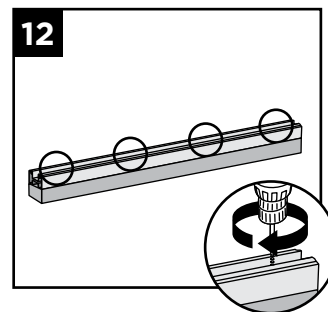
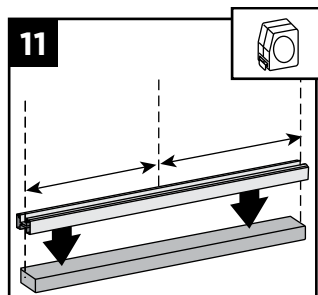
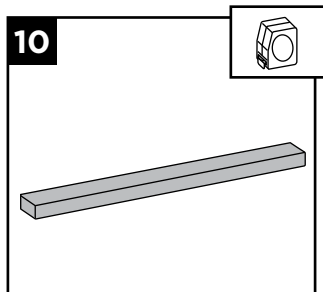
### HOW TO ATTACH TRADITIONAL STYLE GLASS PANEL RAILING/CONTINUED TREX TRANSCEND

1. **Installing Pressure-Treated Posts**  
*See instructions on page 3.*
2. **Installing Post Sleeve Skirts and Post Sleeves**  
*See instructions on page 3.*
3. **Installing Railing Support Brackets (RSBs)**  
*See instructions on page 3.*
4. **Cutting Railings**  
*See instructions on page 4.*
5. **Attaching Foot Block**  
*See instructions on page 4.*
6. **Attaching Bottom Rail (Universal Rail), Adding Weep Holes**  
*See instructions on page 5.*
- 7-8. **Attaching Weatherstripping and Positioning Panel**  
*See instructions on page 9.*

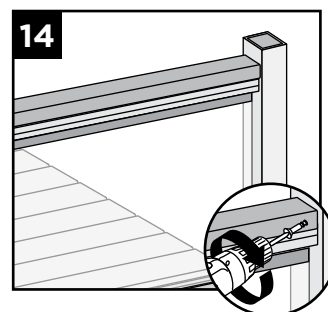
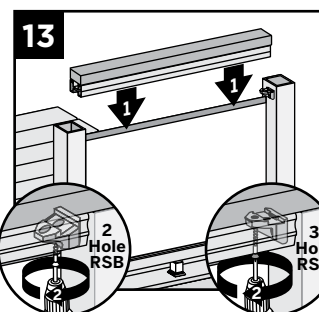
#### Attaching Top Rail



9. Cut 2" x 4" (51 mm x 102 mm) to same length of the inverted Universal rail.
10. Place inverted 2" x 4" (51 mm x 102 mm) (place top side down) on clean, flat surface.



11. Place universal rail (remembering to orient this properly so that when flipped over, the universal rail will accept the baluster spacer and balusters), on the 2" x 4" (51 mm x 102 mm), centered.
12. Secure 2" x 4" (51 mm x 102 mm) to universal rail with 2" (51 mm) pan head screws (*not provided*) approximately every 16" (406 mm) on center.

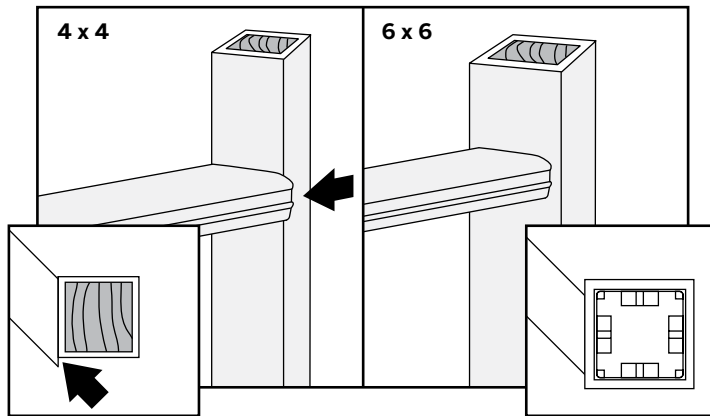


13. Place inverted universal rail with 2" x 4" (51 mm x 102 mm) attached onto RSB's with glass panel in the channel. Attach universal rail to RSB's with three self-tapping screws provided (use three outer holes; do not use hole in RSB that is closest to post). If two hole bracket is included, attach with two self-tapping holes (provided).
14. Pre-drill a pilot hole and toenail 2-1/2" (64 mm) composite deck screw (*not provided*) at each end of the 2" x 4" (51 mm x 102 mm) into post on back side (side not facing decking).

15. **Attaching Panel Support Moldings**  
*See instructions on page 9.*
- 16-17. **Hiding Brackets**  
*See instructions on page 9.*
18. **Attaching Post Caps and Installing New Foot Block**  
*See instructions on page 4-5.*

## HOW TO INSTALL ON-AN-ANGLE RAILING TREX TRANSCEND (CROWN AND UNIVERSAL RAILING)

**NOTE:** Trex railing brackets are designed to be installed up to a 45° angle.



- » **Small angles** (1° - 30°). Both 4" x 4" (102 mm x 102 mm) or 6" x 6" (152 mm x 152 mm) post sleeves work well.
- » **Large angles** (31° - 45°). **USE ONLY** 6" x 6" (152 mm x 152 mm) post sleeves when installing on flat side.
- » **45° angles** using 4" x 4" (102 mm x 102 mm) post sleeves **MUST** use Transcend Bird's Mouth brackets.

**NOTE:** Railing will be installed on corner of posts.

- » Using 6" x 6" (152 mm x 152 mm) post sleeves at 45° angles. Brackets are installed off-center and use 45° Transcend gaskets.
- » Railing gaskets are designed to fit at 0°, 22.5°, and 45° angles. Gaskets are labeled with appropriate angle dimension.

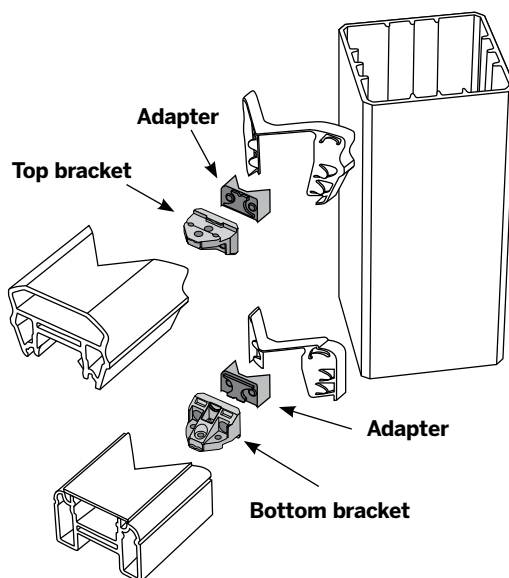
## HOW TO INSTALL CROWN AND UNIVERSAL BIRD'S MOUTH RAILING TREX TRANSCEND®

### NOTES:

- » Use with 4" x 4" (102 mm x 102 mm) post sleeve **ONLY**.
- » Gaskets are only designed for use with Transcend crown and universal railing.

Read all instructions **BEFORE** installation.

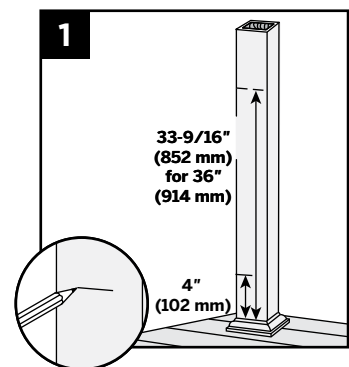
### PARTS



### Mark Posts

1. Measure and mark 4" (102 mm) and 33-9/16" (852 mm) up from top of post skirt.

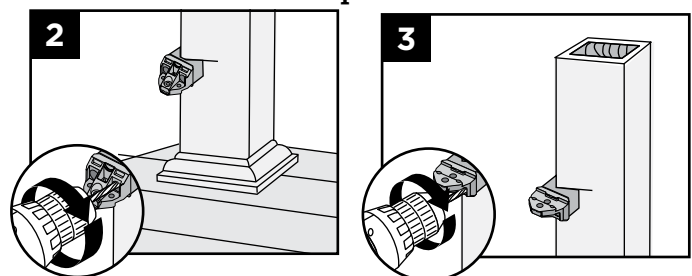
**NOTE:** Without skirt, add 1-1/2" (38 mm) to measurements.



### Attaching Adapters

Snap adapters into RSBs.

### Pre-drill Bottom and Top RSBs



2. Position RSBs with adapter (**flat side DOWN**) for lower rail, mark and pre-drill screw holes with 1/8" (3 mm) drill bit on post.
3. Position RSBs with adapter (**flat side UP**) for top rail, mark and pre-drill screw holes with 1/8" (3 mm) drill bit on post.

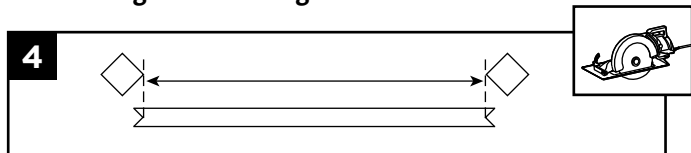


# TREX TRANSCEND® RAILING

## Installation Instructions

### HOW TO INSTALL CROWN AND UNIVERSAL BIRD'S MOUTH RAILING/CONTINUED TREX TRANSCEND®

#### Measuring and Cutting Rails



4. Measure from corner-to-corner between posts. Mark 45° cuts on rails with template on assembly tool. Center of "V"s is the distance from corner-to-corner for posts.

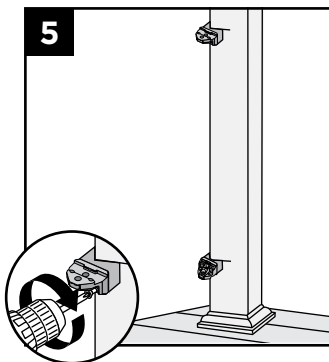
**NOTE:** Subtract 1/16" (1.6 mm) from each end to accommodate rail gaskets.

#### Attaching Top and Bottom RSBs

5. Attach RSBs with adapters to posts with wood screws (provided).

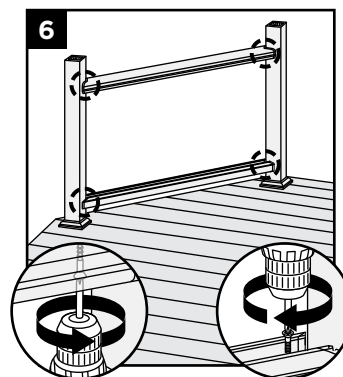
#### NOTES:

- » Drill at slight inward angle to drill holes on marks.
- » Lay cut lower rail into position on decking surface between the posts before attaching the lower RSB. There may be some difficulty attaching the lower rail if you fail to do this.



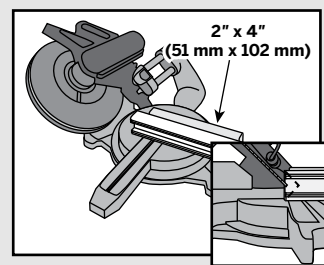
#### Installing Railings to RSB's

6. Attach with self-tapping screws (provided).



#### Using Miter Box Saw to Cut Rails

1. Place 2" x 4" (51 mm x 102 mm) on edge behind the rail to allow for complete cut.
2. Angle blade to 45°.
3. Set stop on saw so blade travels half the depth of rails. Several test cuts can be made on scrap material to accurately set the stop.
4. "V" cut both sides of the rail.



**NOTE:** Transcend's crown and universal rails will require different stop settings

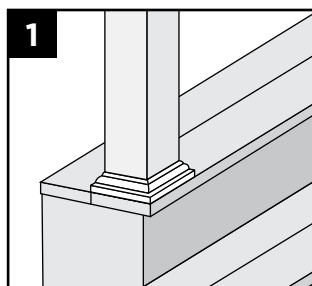
### HOW TO INSTALL CROWN AND UNIVERSAL STAIR RAILING TREX TRANSCEND®

Read all instructions BEFORE installation.

**NOTE:** All Transcend railings and gaskets work **ONLY WITH STAIR SLOPES OF 32°-37°.**

#### Installing Posts, Post Sleeve Skirts, and Post Sleeves for Stair Rails

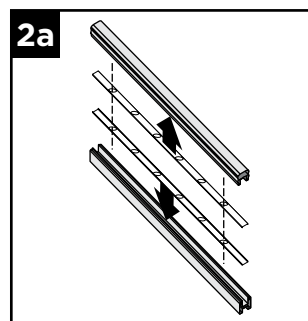
1. Install posts, post sleeve skirts, and post sleeves according to standard Transcend railing instructions. See page 3.



- » In most cases, a post and post sleeve longer than 39" (991 mm) will be needed on the lower section of stair rail to accommodate stair angle.
- » Make sure top and bottom posts for stairs are installed at nose of each tread.

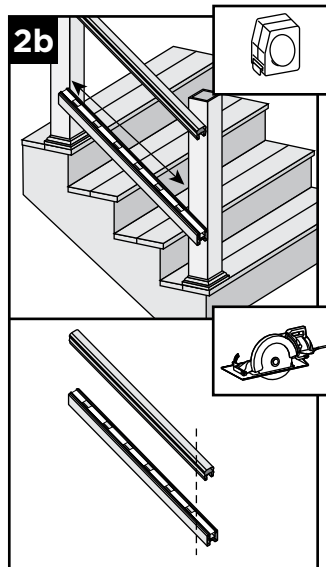
#### Measuring and Cutting Railings

- 2a. Snap baluster spacers into top and bottom railings, ensuring the baluster spacer holes line up parallel.



## HOW TO INSTALL CROWN AND UNIVERSAL STAIR RAILING/CONTINUED TREX TRANSCEND®

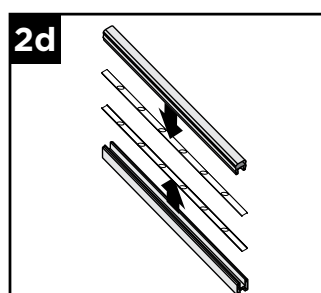
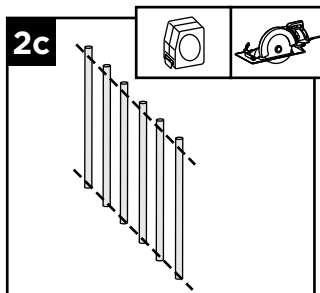
2b. Set bottom and top rail along the nose of the stair treads, ensuring baluster holes are placed evenly. Also allow for a minimum of 1 1/2" at each end of rail for bracket placement and baluster clearance. Cut rails on marks.



### NOTES:

- » If using railing gaskets, subtract 1/16" (1.6 mm) maximum, from each end and cut.
- » CUT VERY CAREFULLY TO NOT BREAK BALUSTER SPACERS.

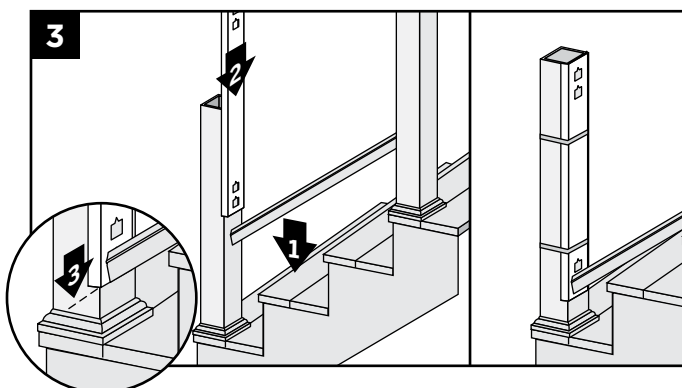
### Cutting Balusters on Angle (OPTIONAL)



2c. In order for balusters to seat properly (depending on the angle of the stair railing), the balusters may need to be trimmed to match the angle of the bottom and top railing.

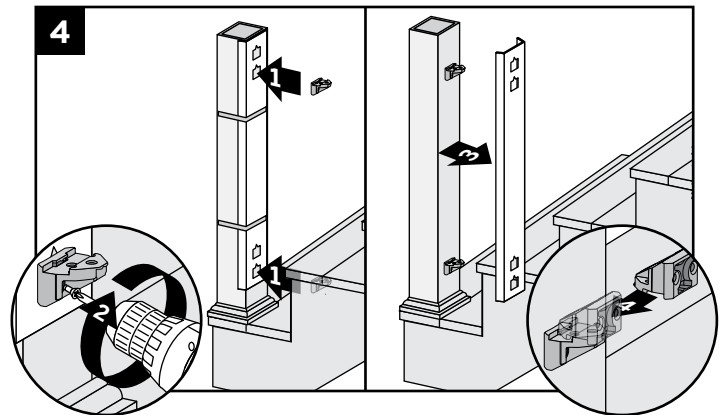
2d. Carefully remove baluster spacers from rails.

### Positioning RSBs on BOTTOM Post



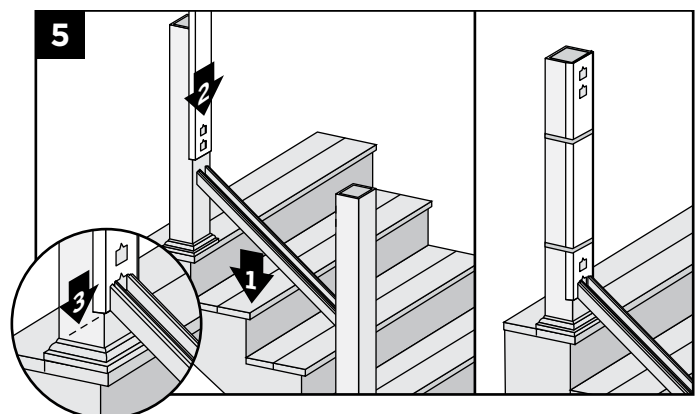
3. Position bottom rail between posts and slide TrexExpress™ railing assembly template into position with bottom rail outline on template aligned with end of bottom rail. Allow a minimum clearance of 1" (25 mm) from stair tread. Secure template with rubber bands. Remove rail.

### Attaching RSBs to BOTTOM Post



4. Attach upper and lower RSBs to bottom post, **flat side UP**, with wood screws provided. Remove template and place a second RSB, turned upside down, and interlock on each bracket.

### Positioning RSBs on UPPER Post



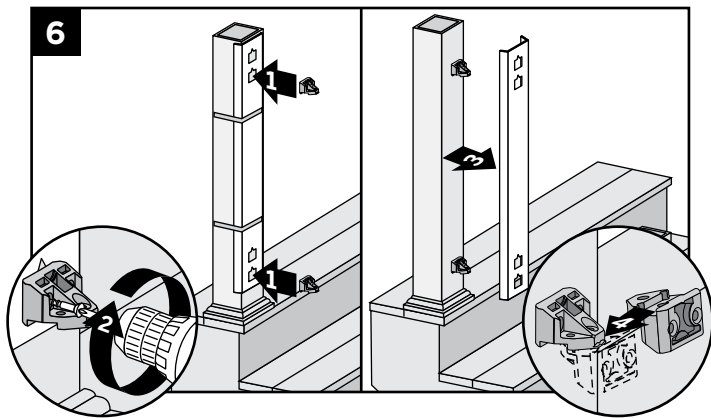
5. Position pre-cut bottom rail between posts. Slide TrexExpress™ railing assembly template into position, aligning bottom rail outline on template with end of bottom rail. Use rubber bands to hold template in place. Remove rail.

# TREX TRANSCEND® RAILING

## Installation Instructions

### HOW TO INSTALL CROWN AND UNIVERSAL STAIR RAILING / CONTINUED TREX TRANSCEND®

#### Attaching RSBs o UPPER Posts



6. Attach upper and lower RSBs to top post, **flat side DOWN**. Remove template. Take second RSB, turn upside down and interlock into each bracket.

#### If Attaching Original Foot Block to Bottom Rail

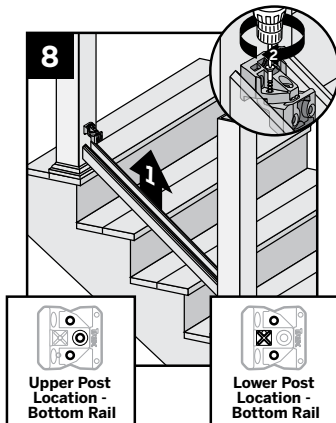
7a. See detailed instructions included with foot block.

#### If Attaching New Foot Block to Bottom Rail

7b. See detailed instructions included with foot block.

#### Attaching Bottom Rail (Universal Rail)

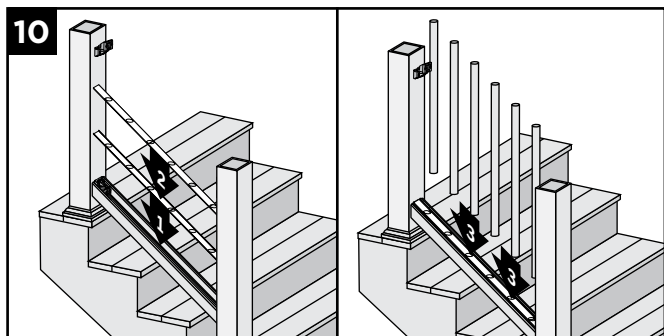
8. Lift bottom rail so RSB's are in the channel and attach with 3 self-tapping screws (provided). Use the three outer holes in RSB to attach screws.



#### Adding Weeping Holes

9. See instructions on page 7.

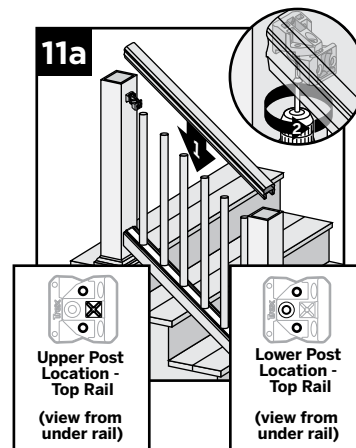
#### Placing Baluster Spacers and Balusters



10. Snap baluster spacer into bottom rail. Place inverted baluster spacer on top of first baluster spacer making sure that holes line up parallel. Place balusters in baluster spacer holes.

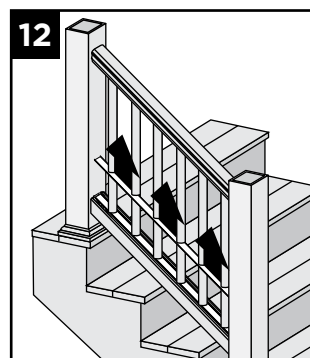
#### Attaching Top Rail

- 11a. Place top rail of choice (Crown rail shown here) on RSB's in rail channel and attach with 3 self-tapping screws (provided). Use the three outer holes in RSB to attach screws.



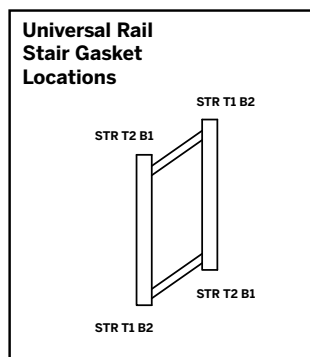
- 11b. If installing a different railing configuration other than Crown Railing, refer to other Railing Configurations in Horizontal sections for additional requirements.

12. Slide baluster spacer up and snap into top rail.



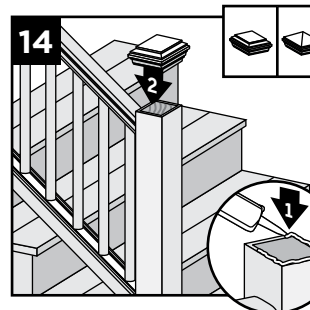
#### Attaching Optional Gaskets

13. Stair railing gaskets are designed to fit at slopes of 32° to 37°. Gaskets are labeled in order to ensure correct location.



#### Attaching Post Caps and Installing New Foot Block

14. Secure post caps with silicone or PVC adhesive. Attach New foot block per foot block instructions.



**NOTE:** Clean-up any excess adhesive before drying.

16

Have Questions?  
1-800-BUY-TREX

**NOTE:** Construction methods are always improving. Please ensure you have the most up-to-date installation instructions by visiting: [trex.com](http://trex.com)

TR-1016