

TREX® JOIST MOUNT POSTS

Installation Guidelines

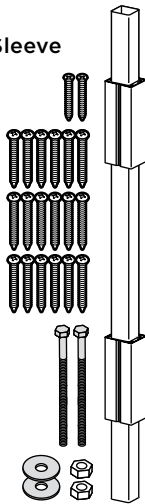


JOIST MOUNT POSTS

Note: All instructions below are for metal posts only; no pressure treated posts are to be used for these instructions.

Joist Mount Post for Trex Composite Post Sleeve SKU CPJMNTPOST63

- » (1) Joist Mount Post
- » (2) Guide blocks
- » (2) 10 x 1" (2.5 cm) Self-tapping screws
- » (18) #8-15 x 1-1/4" (3.2 cm) Self-tapping screws
- » (2) 1/2" x 8" Bolts, Washers, & Nuts

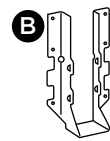
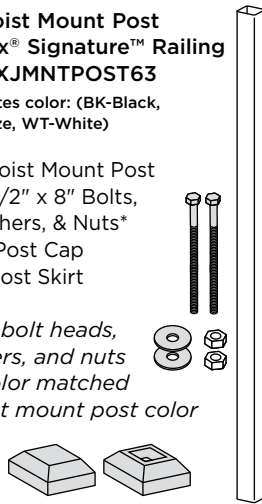


Trex Joist Mount Post for Trex® Signature™ Railing SKU XXJMNTPOST63

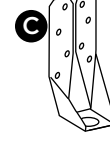
XX denotes color: (BK-Black, BZ-Bronze, WT-White)

- » (1) Joist Mount Post
- » (2) 1/2" x 8" Bolts, Washers, & Nuts*
- » (1) Post Cap
- » (1) Post Skirt

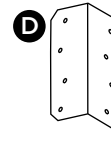
***Note:** bolt heads, washers, and nuts are color matched to joist mount post color



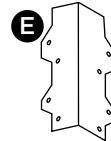
Simpson LUS28Z**
(or similar)



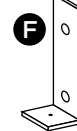
Simpson DTT2Z**



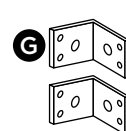
Simpson ML26Z**
(or similar)



Simpson L70Z**
(or similar)



Trex® Signature™ Fascia Mount Kit
SKU - XXFMNTWOOD



Trex Fascia Mount Corner Bracket Kit (Brackets, Bolts, Nuts, Washers, & Screws)
SKU - XXCORNERFMNTWOOD

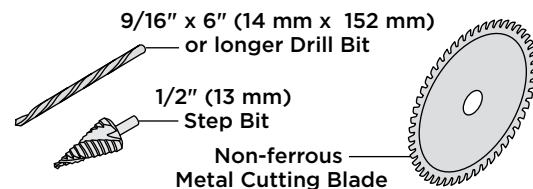
XX denotes color BK-Black, BZ-Bronze, WT-White

GENERAL GUIDELINES

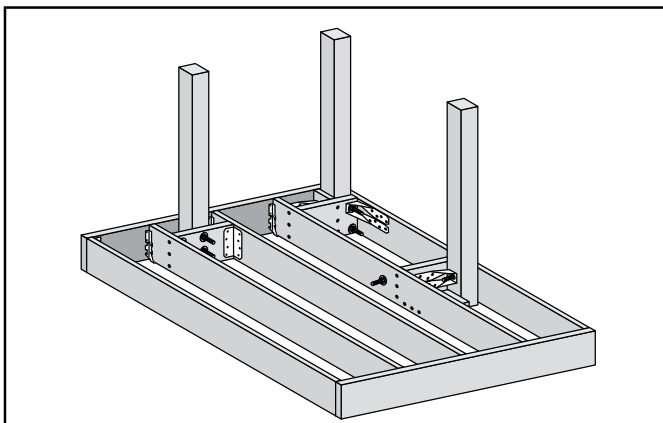
- » **Code Approved Joist Mount Post Applications:**
 - 30" or less deck height - Code approval not applicable
 - IRC Compliant - Yes
 - IBC Compliant - No
- » Minimum framing is 2"x 8" (51 mm x 203 mm) (ensure all structural brackets are sized appropriately for framing).
- » Follow all structural bracket manufacturer's guidelines for fastener selection and corrosion protection requirements.
- » Maximum OC framing is 16" (406 mm).
- » This post is designed to cut-to-length and will accommodate up to 42" (1067 mm) stair railing on 2" x 12" (51 mm x 305 mm) framing.

- » Included template works for most, but not all, applications. Review instructions carefully prior to drilling holes, making sure to center holes on post.
- » **Simpson structural brackets are not included with joist mount posts and must be purchased separately.

HELPFUL TOOLS

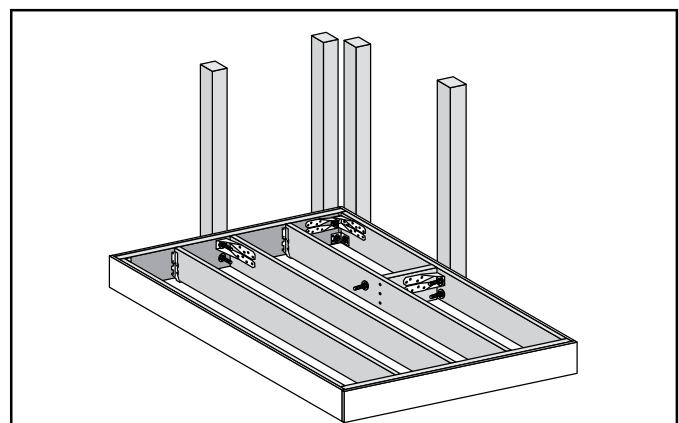


Wood Frame (Inside Mount) Overview



NOTE: To allow fascia to sit flat against framing, route/trim out back side of fascia to allow for fit over bolt locations.

Wood Frame (Fascia Mount) Overview



- NOTES:**
- » Trex fascia should be installed prior to installing any outside joist post mounts
 - » Can only be used with Trex® Signature™ 6' or less railing spans.

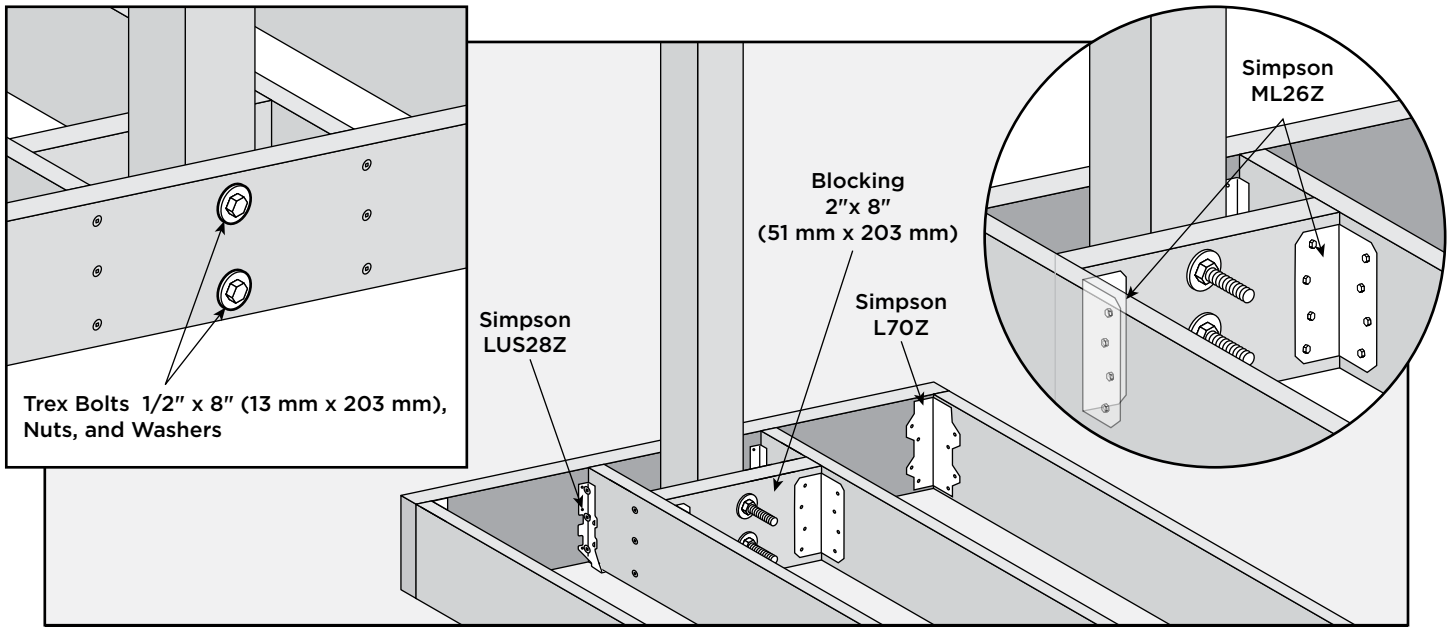
Have Questions?
1-800-BUY-TREX

NOTE: Construction methods are always improving. Please ensure you have the most up-to-date installation instructions by visiting: trex.com

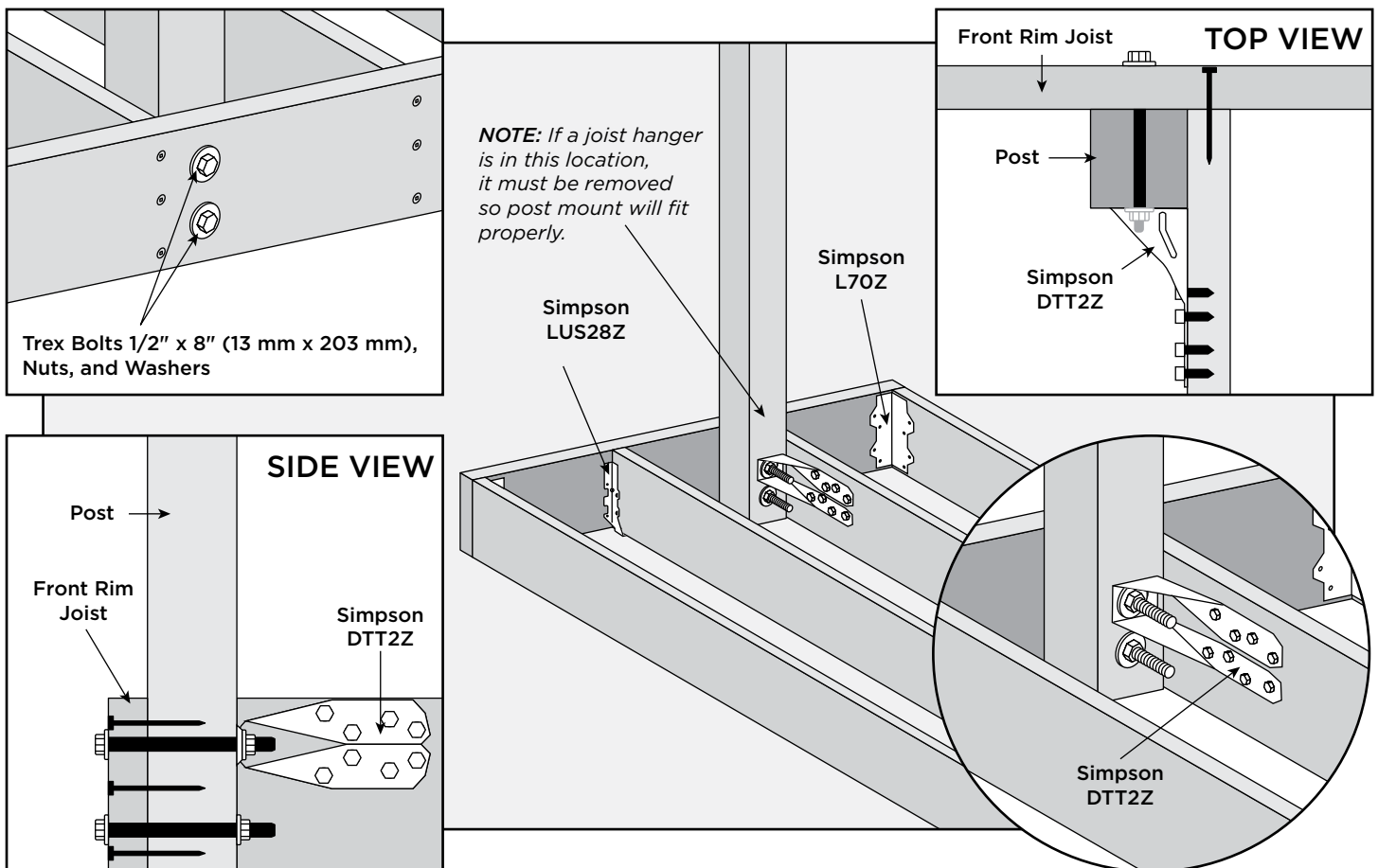
TREX® JOIST MOUNT POSTS

Installation Guidelines

INSIDE MOUNT (FRONT RIM PLATE - BETWEEN JOISTS WITH BLOCKING)

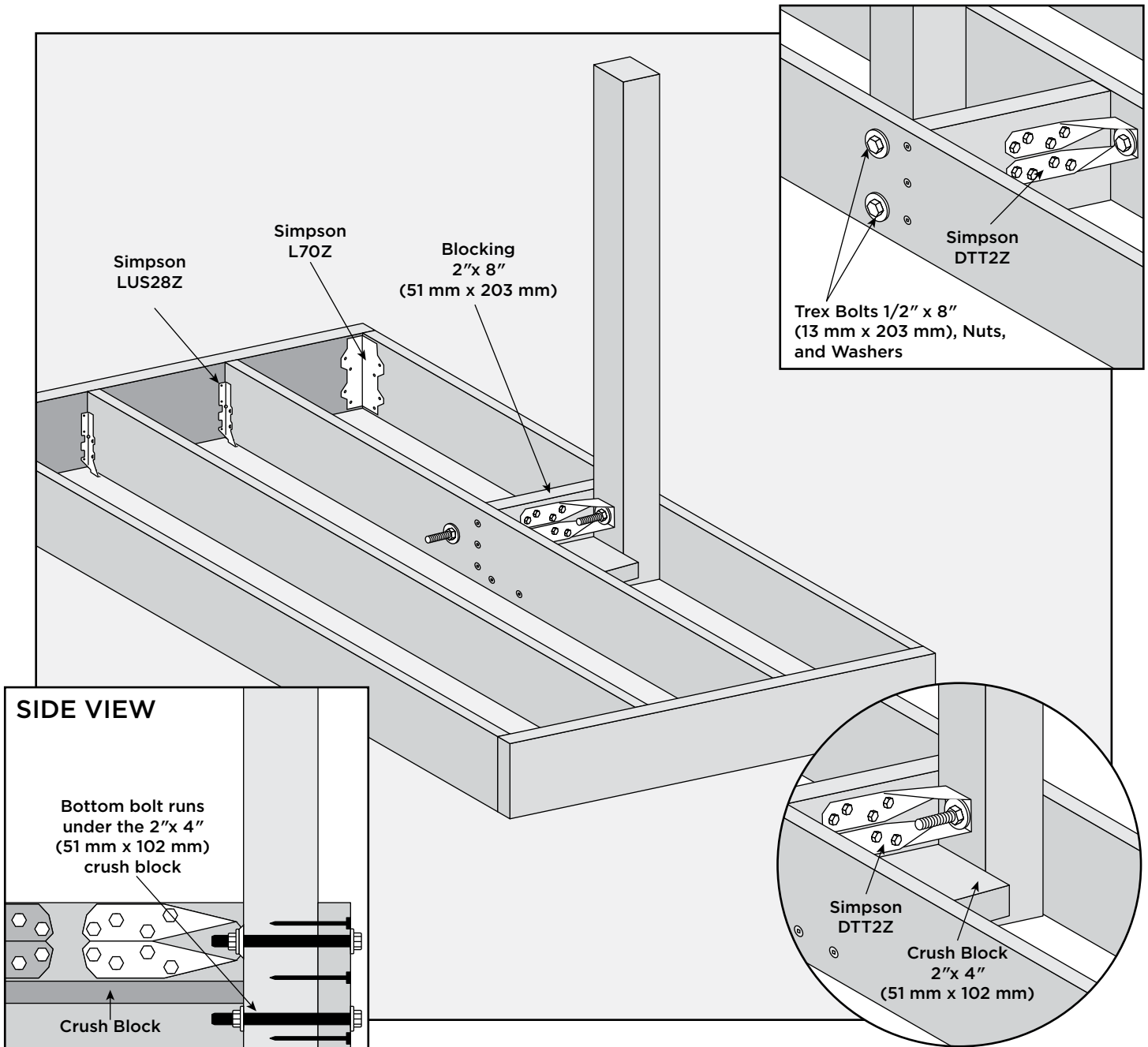


INSIDE MOUNT (FRONT RIM PLATE - NEXT TO JOIST)



INSIDE MOUNT (SIDE JOIST)

- » TREX SUPPLIES (2) HG 1/2" x 8" (13 mm x 203 mm) BOLTS, NUTS, AND WASHERS.
- » CUSTOMER MUST SUPPLY ADDITIONAL HG 1/2" X 8" (13 mm x 203 mm) BOLTS, NUTS, AND WASHERS.

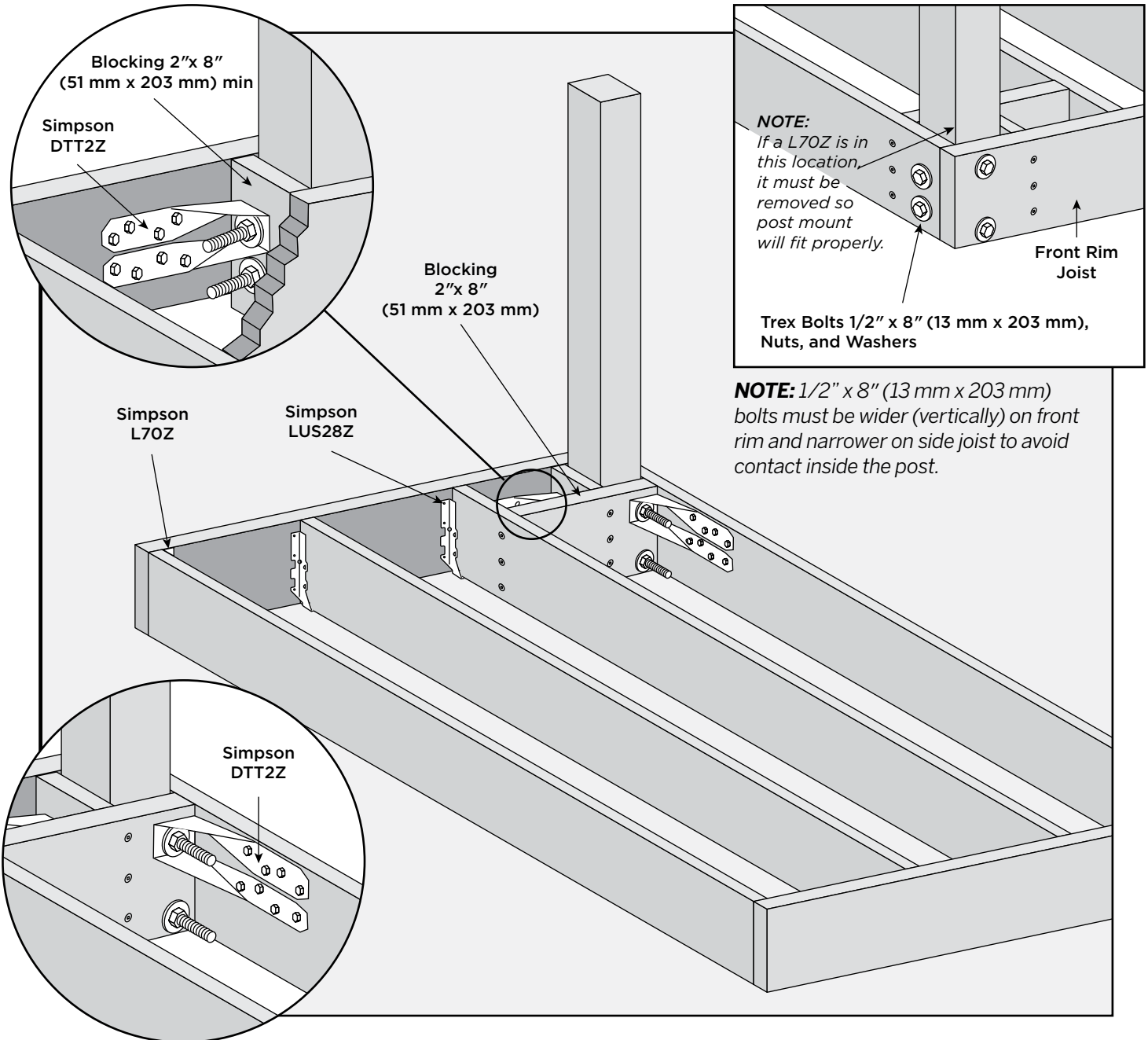


TREX® JOIST MOUNT POSTS

Installation Guidelines

INSIDE MOUNT (CORNER)

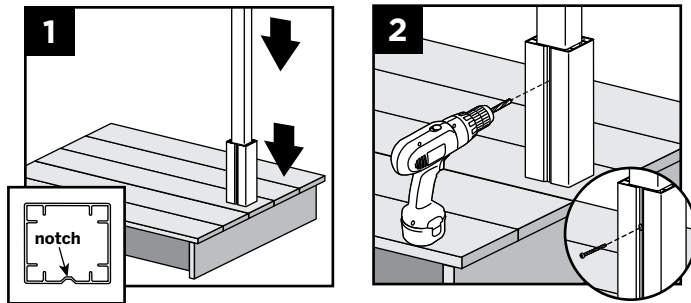
- » TREX SUPPLIES (2) HG 1/2" x 8" (13 mm x 203 mm) BOLTS, NUTS, AND WASHERS.
- » CUSTOMER MUST SUPPLY ADDITIONAL HG 1/2" X 8" (13 mm x 203 mm) BOLTS, NUTS, AND WASHERS.



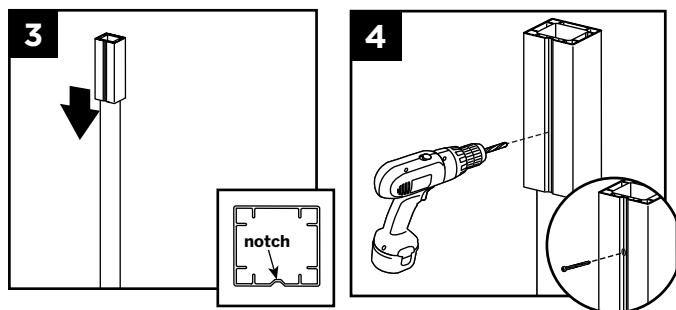
COMPOSITE POST SLEEVE APPLICATIONS

Installation of Guide Blocks and Railing

NOTE: Pre-drilling is not required but is optional for attachment of guide blocks to post. Use a drill bit slightly smaller in size than that of screw being installed.



1. Place or rest bottom aluminum guide block on bottom of post. Place guide on post so that notch is on a side that does not require railing to be attached.
2. Attach bottom guide block using one 10 x 1" self tapping screw (provided) in notch to lock guide block onto post.



3. Location of top guide block will vary slightly based on type and height of railing being installed. Determine this measurement and place top guide block in location where top bracket for desired railing would be approximately on center of the top railing bracket location.
4. Attach top guide block using one 10 x 1" self tapping screw (provided) in notch to lock guide block onto post.

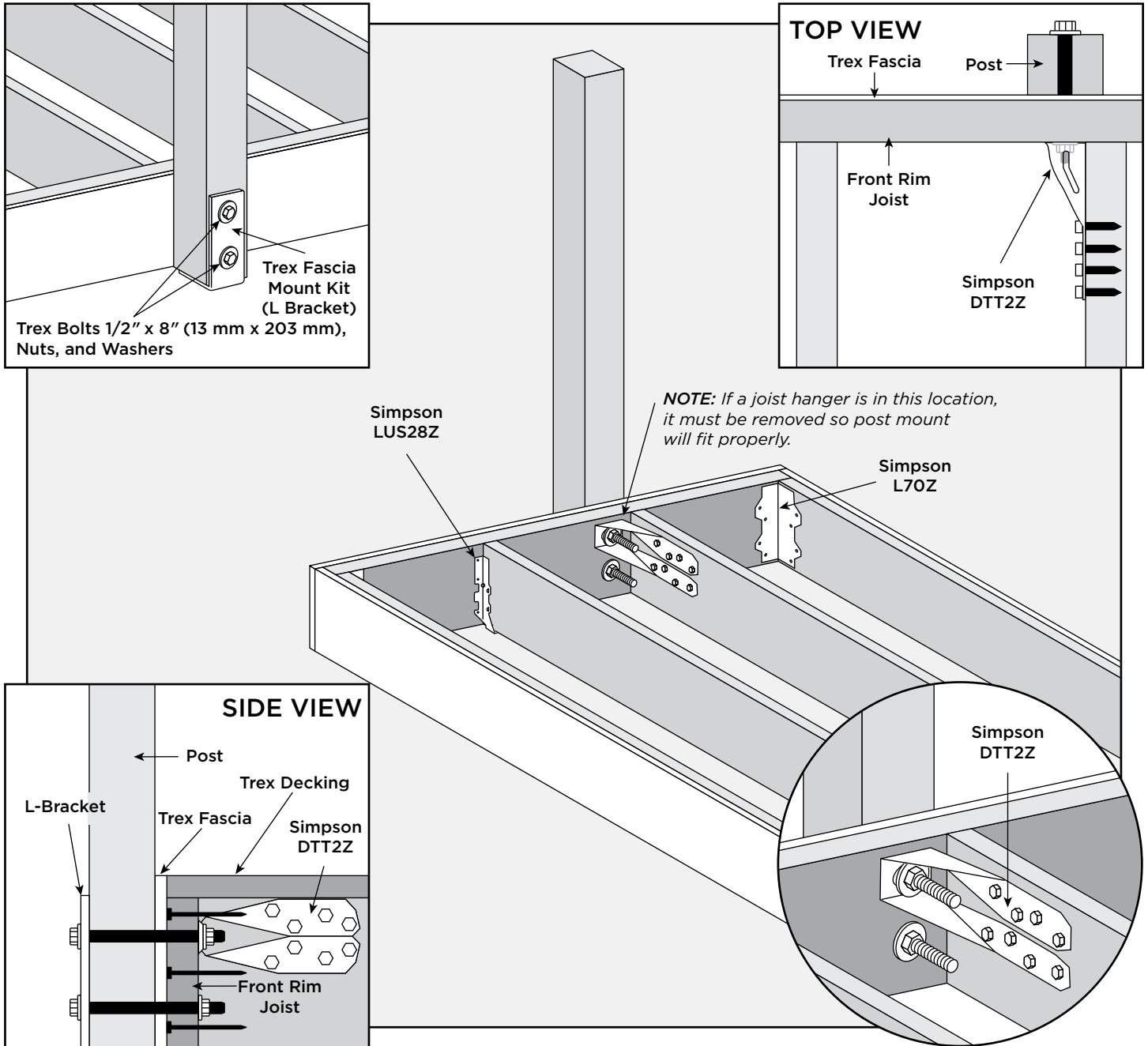
- » If using the joist mount post with composite post sleeve, quantity of 18 self-tapping screws are provided to cover all types of Trex railing bracket installations (Transcend, Trex® Signature™, and Select). Depending on the type railing being installed, you may have screws that are not used.
- » If using 6x6 post sleeves, attach designated railing brackets using #8-15 x 1-3/4" (4.4 cm) 316 stainless steel self-tapping screws (not provided).
- » **Pre-drilling IS REQUIRED** when attaching brackets to designated posts. Use a 9/64" (3.6 mm) drill bit to predrill at specified locations according to instructions provided with railing kits.

TREX® JOIST MOUNT POSTS

Installation Guidelines

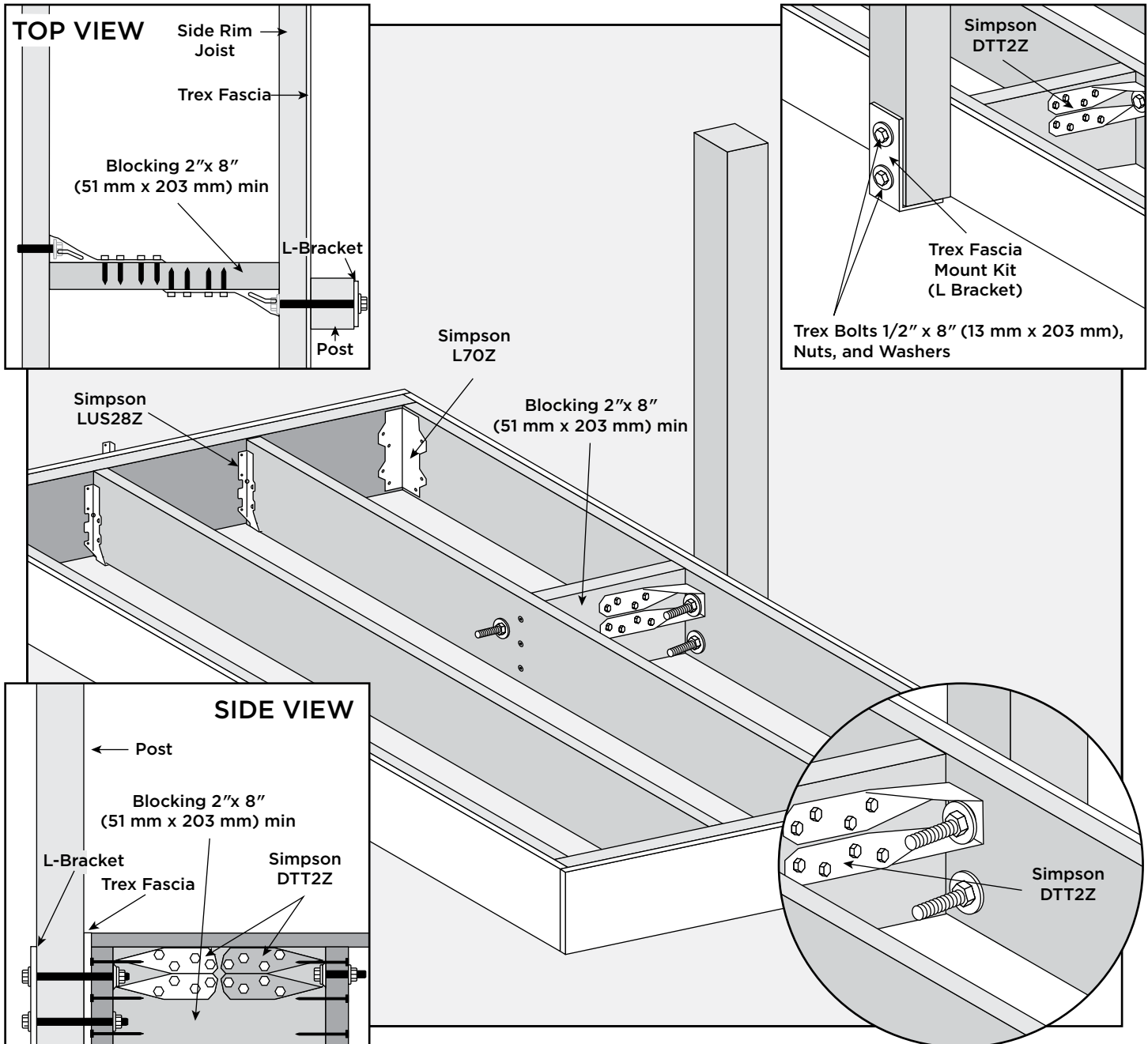
FASCIA MOUNT (FRONT RIM PLATE - NEXT TO JOIST)

- » FOR USE WITH TREX® SIGNATURE™ 6' RAILING SECTIONS ONLY.
- » TREX SUPPLIES (2) HG 1/2" x 8" (13 mm x 203 mm) BOLTS, NUTS, AND WASHERS.



FASCIA MOUNT (SIDE JOIST - WITH BLOCKING)

- » TREX SUPPLIES (2) HG 1/2" x 8" (13 mm x 203 mm) BOLTS, NUTS, AND WASHERS.
- » CUSTOMER MUST SUPPLY ADDITIONAL HG 1/2" X 8" (13 mm x 203 mm) BOLTS, NUTS, AND WASHERS.

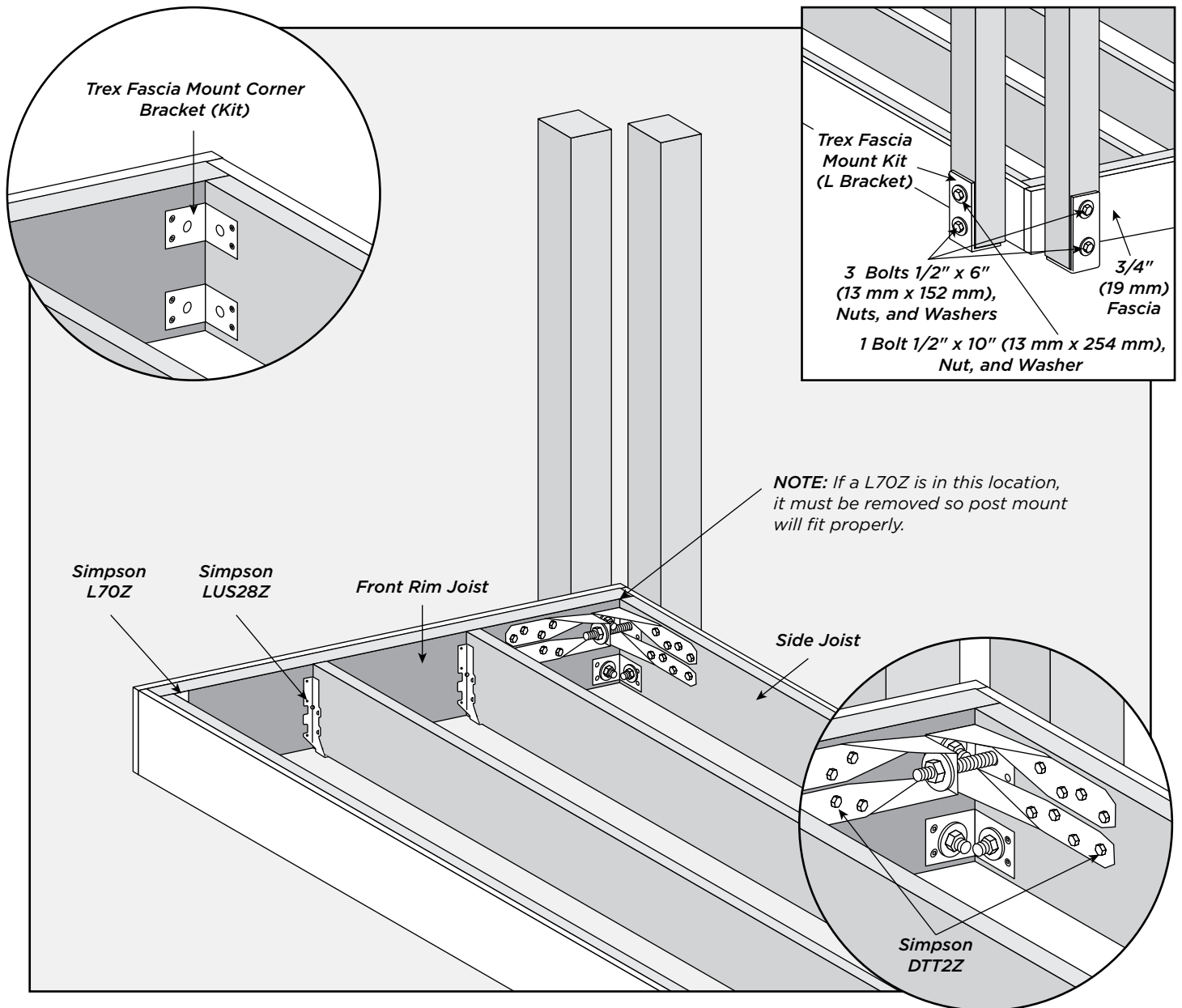


TREX® JOIST MOUNT POSTS

Installation Guidelines

FASCIA MOUNT (OUTSIDE FRAME CORNER)

- » 3/4" (19 mm) FASCIA MUST BE USED, OR BOLTS MUST BE CUT DOWN.
- » INSTALL POST TIGHTLY ON RIM JOIST FIRST - NUTS WILL BE INACCESSIBLE LATER.
- » MUST USE TREX FASCIA MOUNT CORNER BRACKET KIT.



1. Install post on rim joist and fully tighten using Simpson DTT2Z on top bolt.
2. Run 10" (254 mm) bolt through gap in existing Simpson DTT2Z and tighten into second DTT2Z.
3. Install bottom bolt.

TREX® SIGNATURE™ RAILING APPLICATIONS

Installation of Railing

1. All required hardware is included with Trex® Signature™ railing. Follow Trex® Signature™ railing instructions for complete installation requirements.