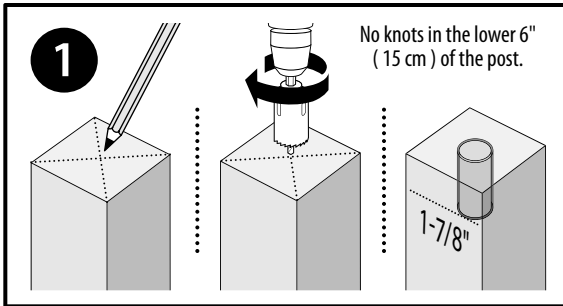


# 4x4/4x6 | SOFTWOOD | POST ANCHOR INSTALLATION

## IMPORTANT NOTE



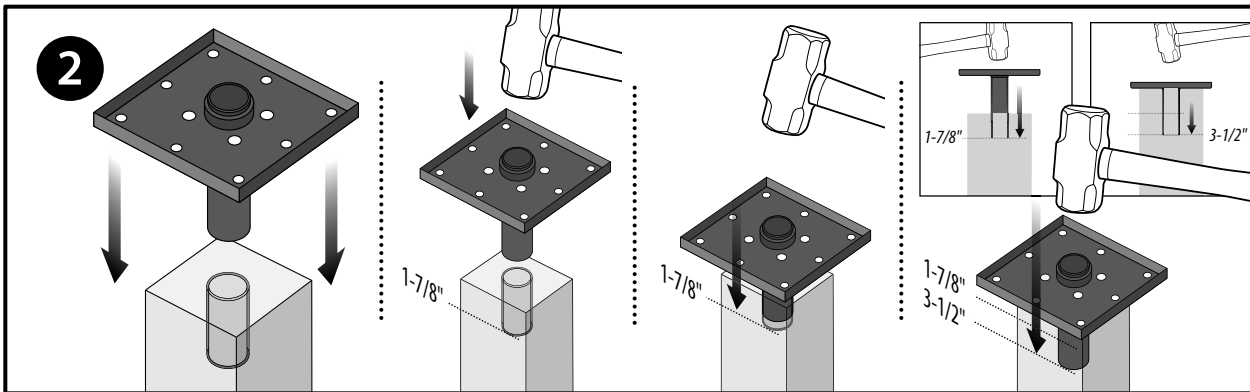
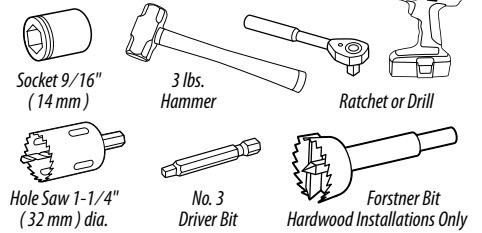
USE ONLY STAINLESS STEEL SCREWS WITH ALUMINUM DECKING. SOLD SEPARATELY.



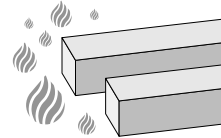
### TITAN POST ANCHOR™ KIT

- (1) Post Anchor
  - (8) \*Wood Screw #14 No. 3 Square Drive
  - (4) \*Lag Screw 3/8" X 5"
- ACQ**  
\*Concrete screws sold separately.

### RECOMMENDED TOOLS



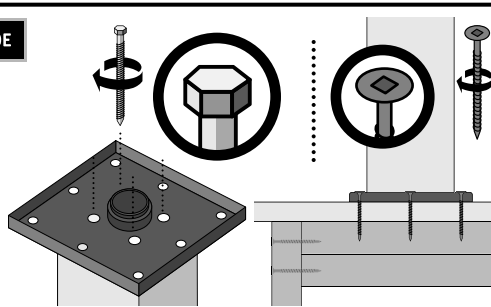
FOR VERY DRY WOOD, WET ENDS OF POST WITH WATER BEFORE USE TO PREVENT CRACKING.



### DRILL

#### LAG SCREW / DRILL BIT GUIDE

SOFTWOOD POST
3/8" LAG SCREW
5/16" DRILL BIT
1/2" LAG SCREW
7/16" DRILL BIT
HARDWOOD POST
3/8" LAG SCREW
11/32" DRILL BIT
1/2" LAG SCREW
15/32" DRILL BIT



#### DECK SCREW / DRILL GUIDE

HARDWOOD OR COMPOSITE DECKING
#14 OR 1/4" DECK SCREW
7/32" DRILL BIT

## THE INTERNATIONAL RESIDENTIAL CODE (IRC - USA) AND THE NATIONAL BUILDING CODE OF CANADA (NBC - CANADA)

### INSTALLING RESIDENTIAL GUARDS:

This product has been independently tested according to established AC 273 procedures set out in the IRC for the USA and NBC for Canada. It can be used as a code compliant post anchoring component in one and two family residential guard rail applications when installed according to these directions and conditions of use.

### MATERIALS:

Use SPF lumber for posts and double blocking between joists below each post. Attach top rail to posts in POST TO RAIL DETAIL - A or B.

### QUESTIONS? CONTACT US AT 1-866-577-8868

In no event shall Titan Building Products be liable for any loss or damage, direct or otherwise, which results from the improper installation or use of this product. If for any reason Titan Building Products becomes liable for loss or damage, direct or otherwise, the aggregate liability of Titan Building Products shall be limited to the retail purchase price of the products.

### POST TO RAIL DETAIL

**(5)**  
No. 10 x 3-1/2"

**(4)**  
No. 10 x 3-1/2"

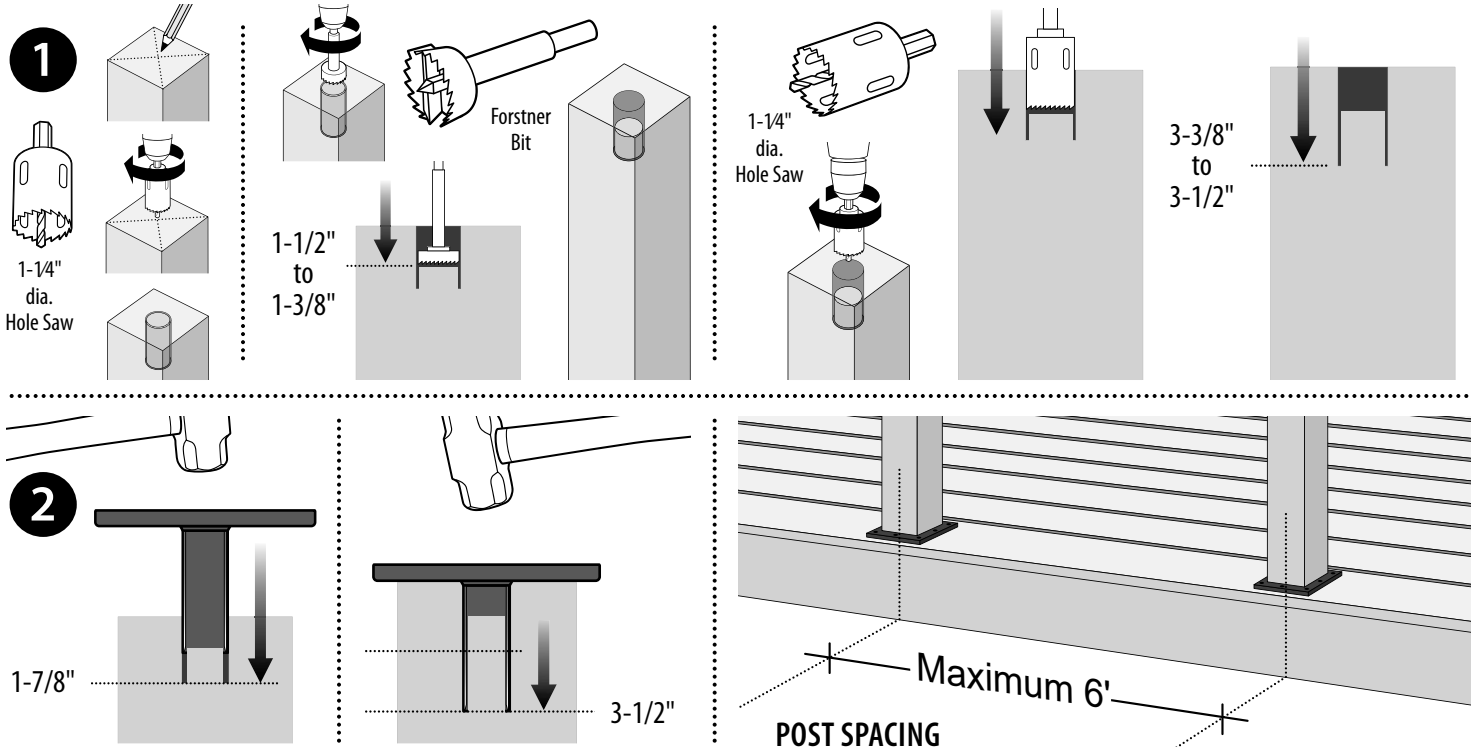


# 4x4/4x6 | HARDWOOD | POST ANCHOR INSTALLATION

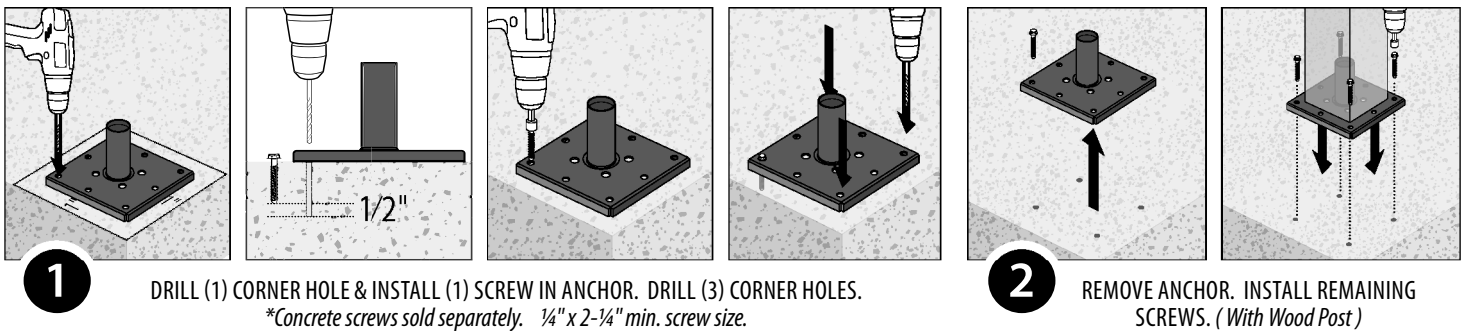
## IMPORTANT NOTE



USE ONLY STAINLESS STEEL SCREWS WITH ALUMINUM DECKING. SOLD SEPARATELY.



# 4x4/4x6 | CONCRETE | POST ANCHOR INSTALLATION



**ATTENTION:** Before beginning work, consult with local building officials or engage professionals to ensure that this product is appropriate for your intended use or help clarify if these warnings are unclear or if you do not understand any of the information in this installation guide. Always comply with applicable building codes and be advised that building codes may vary.

**ATTENTION:** Avant de commencer le travail, consultez les autorités locales en construction ou embauchez des professionnels pour assurer que ce produit est approprié pour l'application que vous avez en vue ou pour aider à clarifier ces instructions si elles ne sont pas claires ou si vous ne comprenez pas quelque information que ce soit dans ce guide d'installation. Conformez vous toujours aux codes du bâtiment qui s'appliquent à sachez que les codes du bâtiment peuvent varier d'un endroit à un autre.

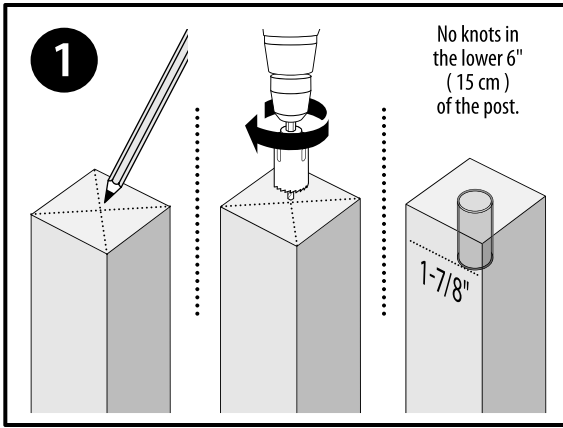
**ADVERTENCIA:** Antes de comenzar a trabajar, consulte con funcionarios de la construcción local o contrate profesionales para asegurarse de que este producto sea apropiado para la aplicación deseada o para para ayudar a clarificar en caso de que estas advertencias no sean claras o en caso de que usted no comprenda parte de la información de esta guía de instalación. Siempre cumpla con los códigos de construcción aplicables y sepa que los códigos de la construcción pueden variar.

# 6x6 | SOFTWOOD | POST ANCHOR INSTALLATION

## IMPORTANT NOTE



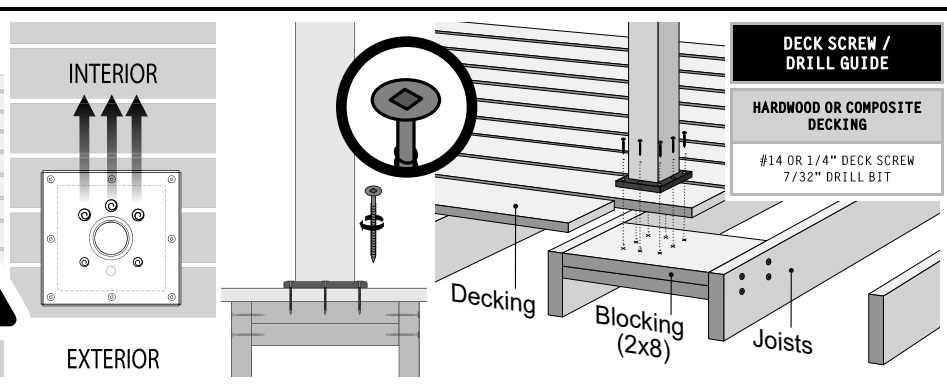
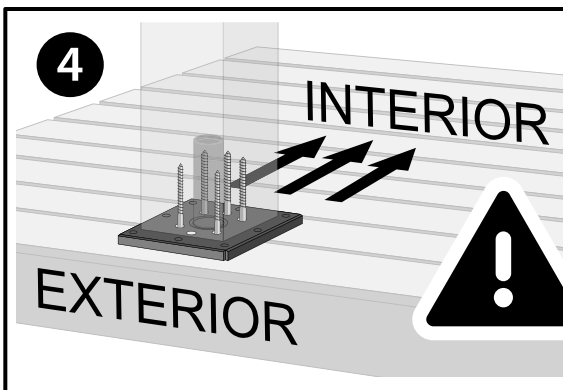
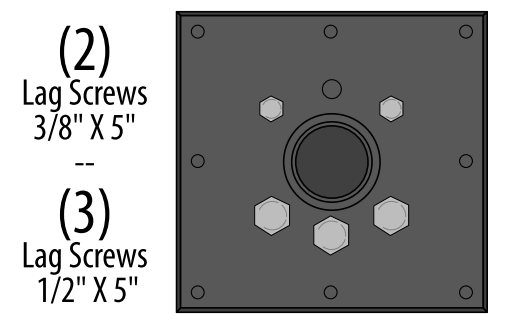
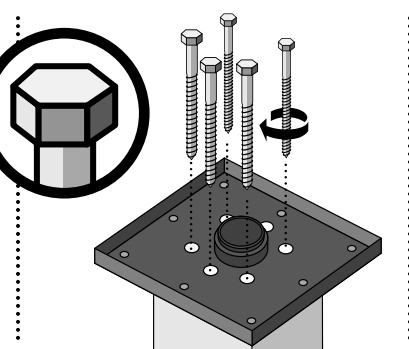
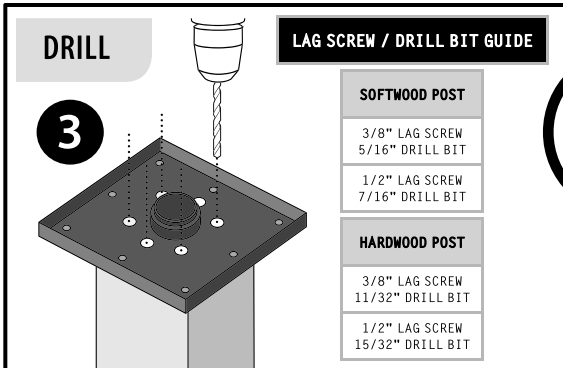
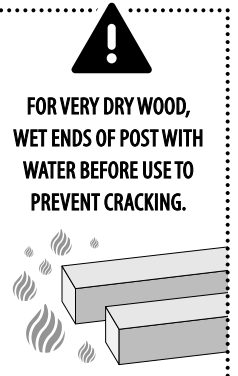
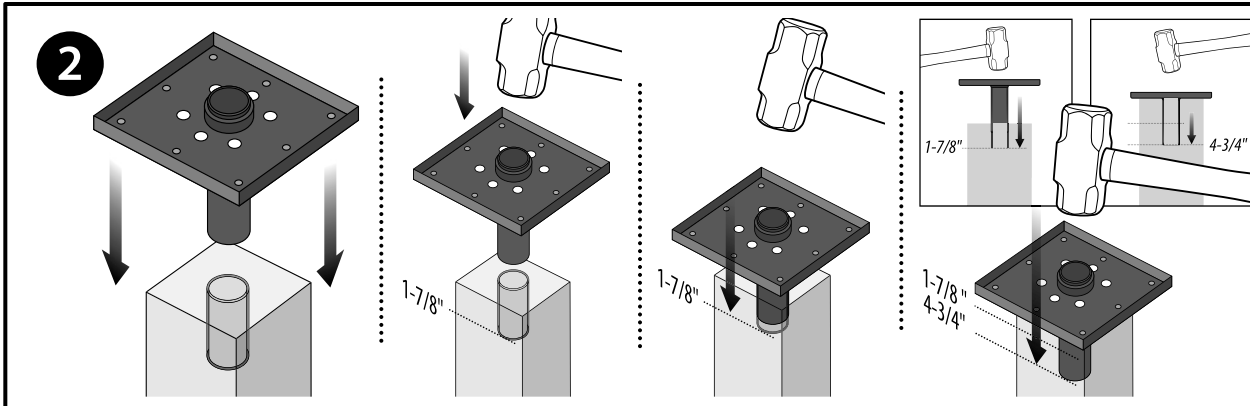
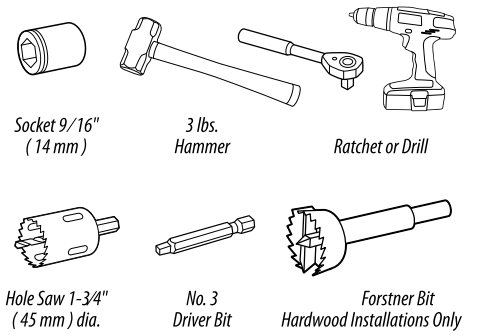
USE ONLY STAINLESS STEEL SCREWS WITH ALUMINUM DECKING. SOLD SEPARATELY.



### TITAN POST ANCHOR™ KIT

- (1) Post Anchor
  - (8) \*Wood Screw #14 No. 3 Square Drive
  - (3) \*Lag Screw 1/2" X 5"
  - (2) \*Lag Screw 3/8" X 5"
- ACQ**
- \*Concrete screws sold separately.

### RECOMMENDED TOOLS



## THE INTERNATIONAL RESIDENTIAL CODE (IRC - USA) AND THE NATIONAL BUILDING CODE OF CANADA (NBC - CANADA)

### INSTALLING RESIDENTIAL GUARDS:

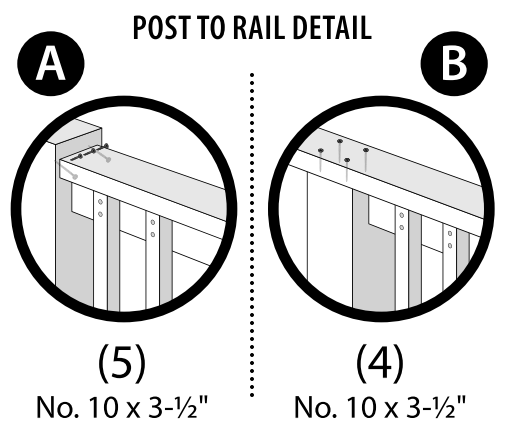
This product has been independently tested according to established AC 273 procedures set out in the IRC for the USA and NBC for Canada. It can be used as a code compliant post anchoring component in one and two family residential guard rail applications when installed according to these directions and conditions of use.

### MATERIALS:

Use SPF lumber for posts and double blocking between joists below each post. Attach top rail to posts in POST TO RAIL DETAIL - A or B.

### QUESTIONS? CONTACT US AT 1-866-577-8868

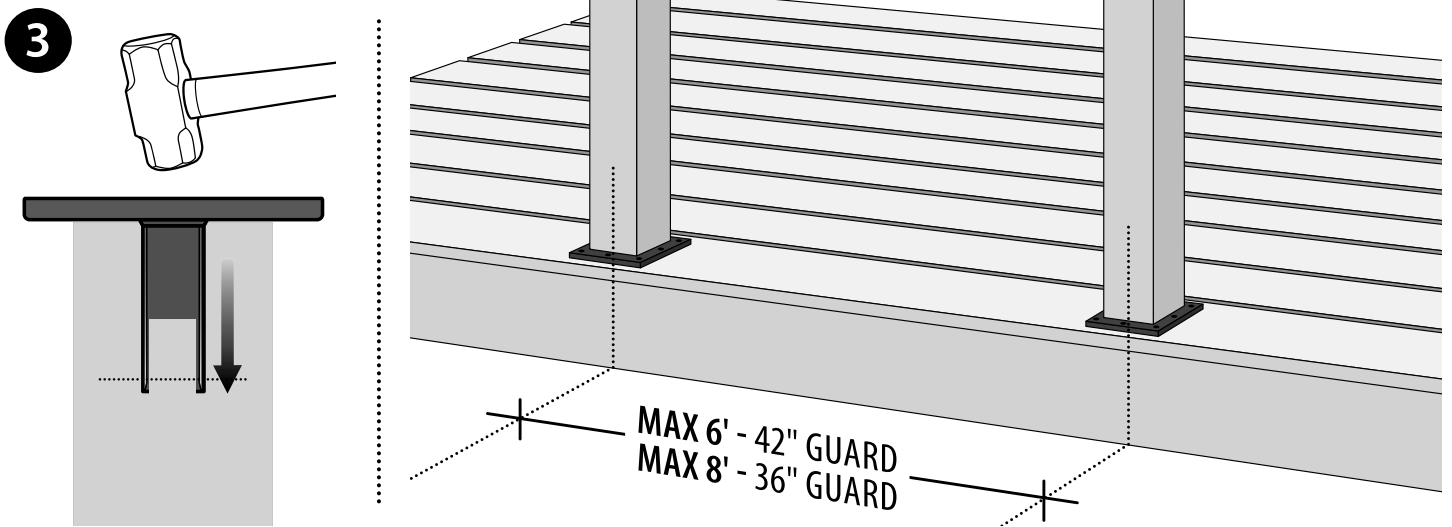
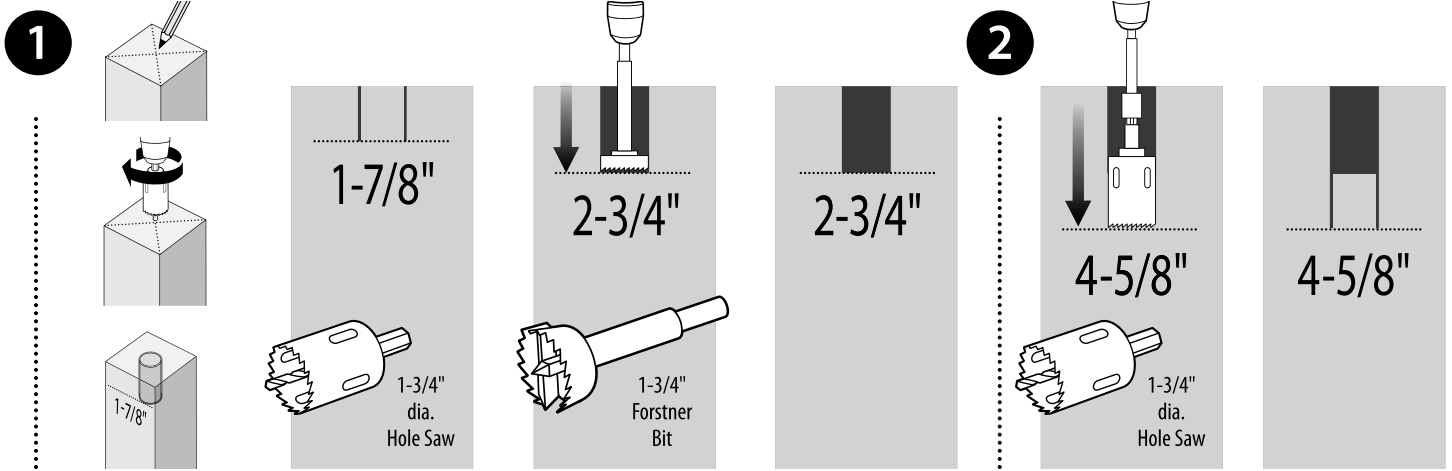
In no event shall Titan Building Products be liable for any loss or damage, direct or otherwise, which results from the improper installation or use of this product. If for any reason Titan Building Products becomes liable for loss or damage, direct or otherwise, the aggregate liability of Titan Building Products shall be limited to the retail purchase price of the products.



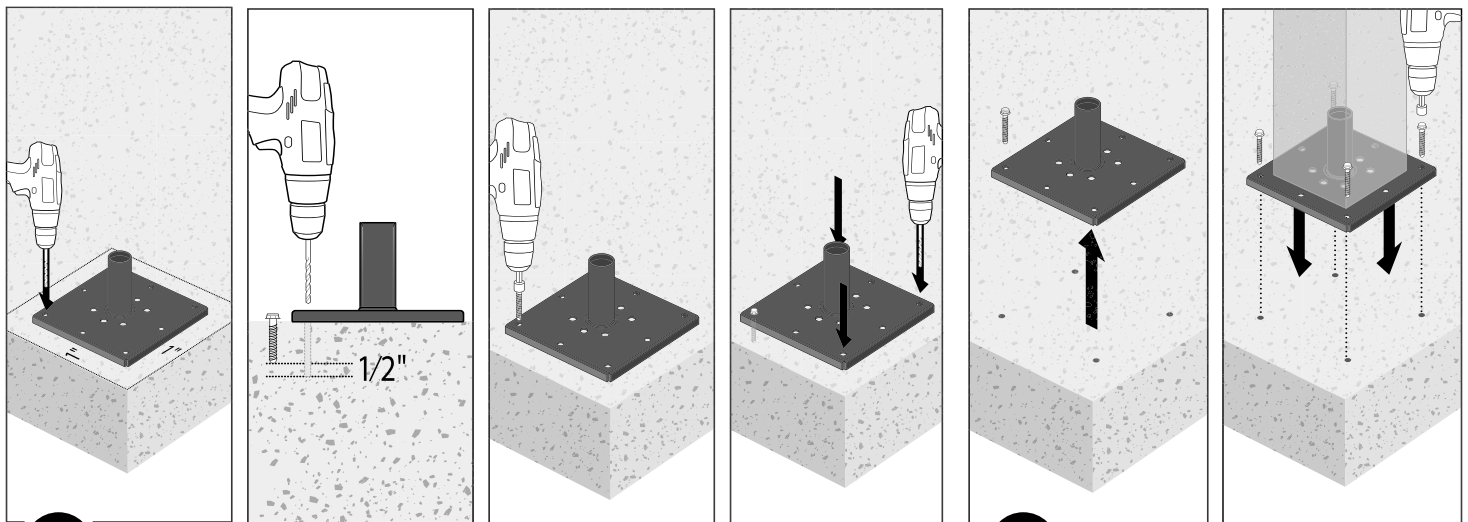
# 6x6 | HARDWOOD | POST ANCHOR INSTALLATION

## IMPORTANT NOTE

USE ONLY STAINLESS STEEL SCREWS WITH ALUMINUM DECKING. SOLD SEPARATELY.



# 6x6 | CONCRETE | POST ANCHOR INSTALLATION



DRILL (1) CORNER HOLE & INSTALL (1) SCREW IN ANCHOR. DRILL (3) CORNER HOLES.  
\*Concrete screws sold separately. 1/4" x 2-1/4" min. screw size.

REMOVE ANCHOR. INSTALL REMAINING SCREWS. (With Wood Post)

**ATTENTION:** Before beginning work, consult with local building officials or engage professionals to ensure that this product is appropriate for your intended use or help clarify if these warnings are unclear or if you do not understand any of the information in this installation guide. Always comply with applicable building codes and be advised that building codes may vary.

**ATTENTION:** Avant de commencer le travail, consultez les autorités locales en construction ou embauchez des professionnels pour assurer que ce produit est approprié pour l'application que vous avez en vue ou pour aider à clarifier ces instructions si elles ne sont pas claires ou si vous ne comprenez pas quelque information que ce soit dans ce guide d'installation. Conformez vous toujours aux codes du bâtiment qui s'appliquent à sachez que les codes du bâtiment peuvent varier d'un endroit à un autre.

**ADVERTENCIA:** Antes de comenzar a trabajar, consulte con funcionarios de la construcción local o contrate profesionales para asegurarse de que este producto sea apropiado para la aplicación deseada o para para ayudar a clarificar en caso de que estas advertencias no sean claras o en caso de que usted no comprenda parte de la información de esta guía de instalación. Siempre cumpla con los códigos de construcción aplicables y sepa que los códigos de la construcción pueden variar.