

# Outdoor Accents®

## Decorative Hardware

The Outdoor Accents decorative hardware product line features connectors and fasteners that bring beauty and strength to custom outdoor living structures. The Mission Collection® adds a hint of southwestern flair.

Outdoor Accents post bases secure wood columns to concrete while providing a 1" stand-off height that helps reduce decay. These bases accommodate lumber in both **nominal** and rough sizes. **Optional decorative side plates are available to give the look of a four-sided post base.**

The Outdoor Accents structural screw reduces installation time by driving easily without predrilling. When combined with the load-rated hex-head washer, the solution delivers the appearance of a bolt while providing the easy installation and convenience of a screw for the installer.

Outdoor Accents angles make connections between beams and posts stronger and provide more consistent, straight corners for a variety of outdoor projects. Flat T and L straps provide reinforcement for connections where one lumber piece intersects another at a 90° angle. **The deck joist tie attaches 2x joists to the side of 4x or larger support posts.** The angles, straps and ties are also installed with the Outdoor Accents structural screws and hex-head washers.

**The Mission Collection also features gable plates and decorative washers to add decorative flair to any outdoor living project.**

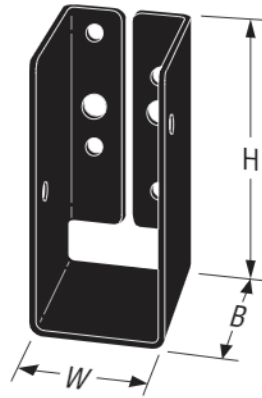
**Material:** See tables

**Finish:** ZMAX® with black powder coat

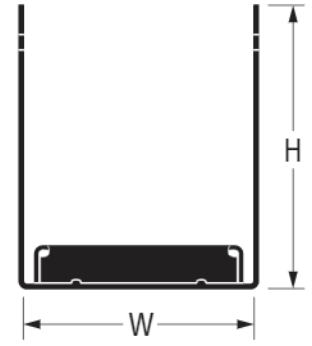
**Installation:**

- Use all specified fasteners; see General Notes
- Use of the Outdoor Accents connectors requires the use of Hex-Head Washer (STN22) with Structural Wood screw (SDWSDBB). **Some items require Strong-Drive® SD Connector screws.**

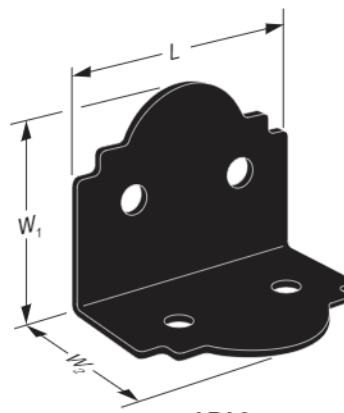
**Codes:** See p. 12 for Code Reference Key Chart



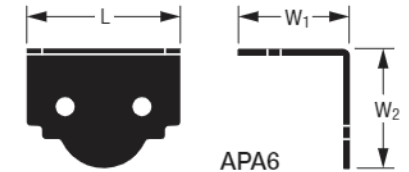
**APLH**  
(APHH similar)



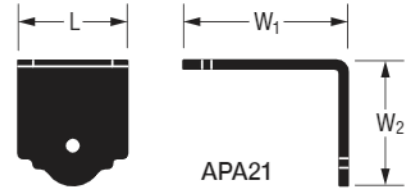
**APB**



**APA6**  
(others similar)  
U.S. Patent Pending

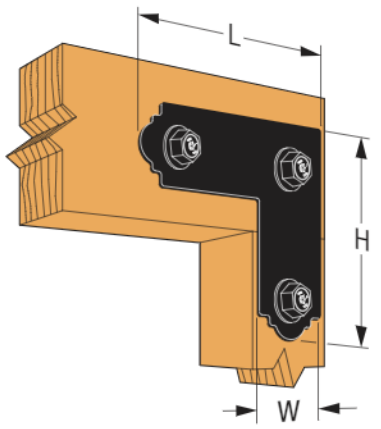


**APA6**

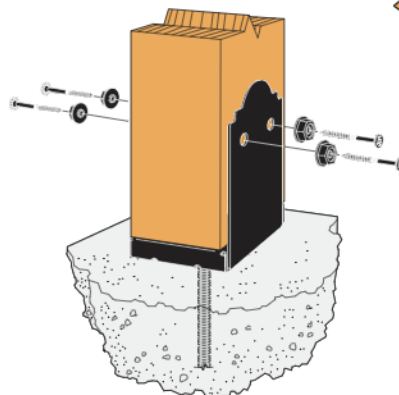


**APA21**

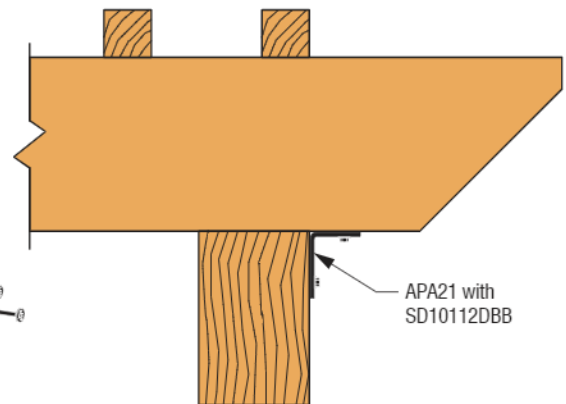
Decorative Hardware



Typical APL4 Installation



Typical APB Installation



Typical APA21 Installation

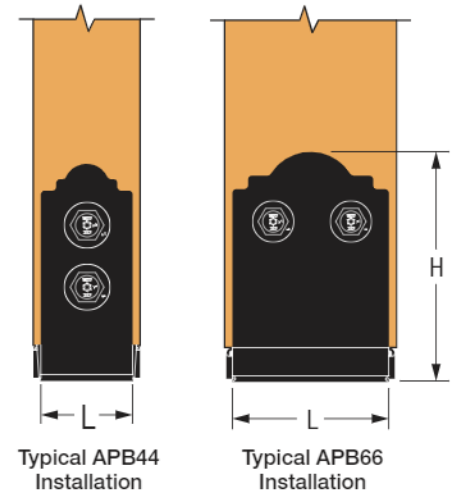
APA21 with SD10112DBB

# Outdoor Accents®

## Decorative Hardware

### Post Bases

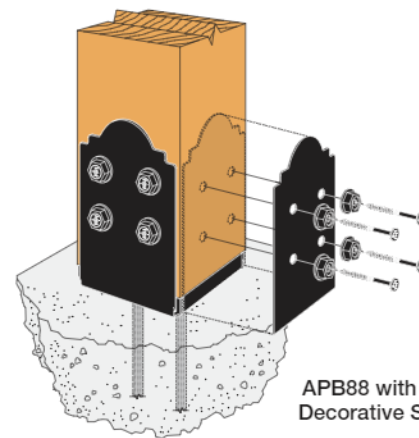
Model No.	Ga.		Dimensions (in.)			Fastener Qty.		DF/SP Allowable Loads		Code Ref.
	Base	Strap	L	W	H	Column	Anchor	Uplift (160)	Down (100)	
APB44	16	12	3	3 <sup>3</sup> / <sub>16</sub>	7	4	(1) <sup>5</sup> / <sub>16</sub>	1,035	6,725	IBC, FL
APB44R	16	12	3	4 <sup>1</sup> / <sub>16</sub>	6 <sup>3</sup> / <sub>4</sub>	4	(1) <sup>5</sup> / <sub>16</sub>	1,035	6,725	
APB66	12	12	5	5 <sup>1</sup> / <sub>2</sub>	7 <sup>1</sup> / <sub>2</sub>	4	(1) <sup>5</sup> / <sub>16</sub>	1,260	11,450	
APB66R	12	12	5	6	7 <sup>1</sup> / <sub>4</sub>	4	(1) <sup>5</sup> / <sub>16</sub>	1,260	11,450	
APB88	14	12	7	7 <sup>1</sup> / <sub>2</sub>	10 <sup>5</sup> / <sub>16</sub>	8	(2) <sup>5</sup> / <sub>16</sub>	2,670	22,255	
APB88R	14	12	7	8	10 <sup>5</sup> / <sub>16</sub>	8	(2) <sup>5</sup> / <sub>16</sub>	2,670	22,255	
APB1010	14	12	9	9 <sup>1</sup> / <sub>2</sub>	11	8	(2) <sup>5</sup> / <sub>16</sub>	2,365	23,725	
APB1010R	14	12	9	10	10 <sup>3</sup> / <sub>4</sub>	8	(2) <sup>5</sup> / <sub>16</sub>	2,365	23,725	



1. Uplift loads have been increased for earthquake or wind loading with no further increase allowed. Reduce where other loads govern.
2. Downloads may not be increased for short-term loading.
3. Specifier is to design concrete and anchorage for uplift loads.
4. Downloads shall be reduced where limited by capacity of the post.
5. All post fasteners are Outdoor Accents® SDWS22312DBB structural wood screws inserted through an STN22 washer.
6. Post bases do not provide adequate resistance to prevent members from rotating about the base and therefore are not recommended for installations that lack top support (such as fences or unbraced carports).
7. Fasteners sold separately.

### Decorative Side Plates

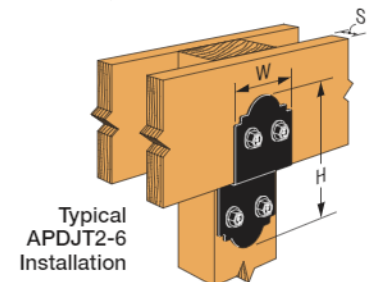
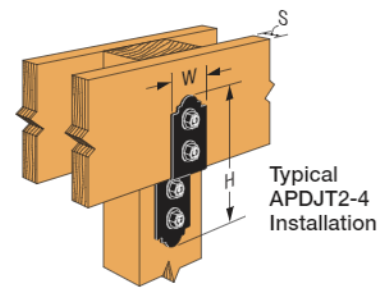
Model No.	Ga.	Dimensions (in.)		Fastener Qty.
		W	H	
APB44DSP	12	3	6 <sup>3</sup> / <sub>4</sub>	4
APB66DSP		5	7 <sup>1</sup> / <sub>4</sub>	
APB88DSP		7	10 <sup>5</sup> / <sub>16</sub>	8
APB1010DSP		9	10 <sup>3</sup> / <sub>4</sub>	



1. All fasteners are a Simpson Strong-Tie® SDWS22312DBB inserted through an STN22 washer. Quantities listed are for two parts.
2. Install top of decorative side plates flush to top of post base strap legs. Decorative side plates installed on APB post bases will be raised up <sup>1</sup>/<sub>4</sub>" from the bottom of the post base, while installations on rough models will not.
3. Fasteners sold separately.

### Deck Joist Tie

Model No.	Ga.	Dimensions (in.)			Fastener Quantity and Length		DF/SP Allowable Down Loads		Code Ref.
		S	W	H	Column	Joist	Floor (100)	Roof (125)	
APDJT2-4	12	1 <sup>1</sup> / <sub>2</sub>	3	10	(2) 3 <sup>1</sup> / <sub>2</sub> "	(2) 5 <sup>1</sup> / <sub>2</sub> "	1,870	2,340	IBC, FL
APDJT1.75-4	12	1 <sup>3</sup> / <sub>4</sub>	3	9 <sup>3</sup> / <sub>4</sub>	(2) 3 <sup>1</sup> / <sub>2</sub> "	(2) 5 <sup>1</sup> / <sub>2</sub> "	1,870	2,340	—
APDJT2R-4	12	2	3	9 <sup>1</sup> / <sub>2</sub>	(2) 3 <sup>1</sup> / <sub>2</sub> "	(2) 5 <sup>1</sup> / <sub>2</sub> "	1,870	2,340	IBC, FL
APDJT2-6	12	1 <sup>1</sup> / <sub>2</sub>	5	10	(2) 3 <sup>1</sup> / <sub>2</sub> "	(2) 5 <sup>1</sup> / <sub>2</sub> "	1,870	2,340	IBC, FL
APDJT1.75-6	12	1 <sup>3</sup> / <sub>4</sub>	5	9 <sup>3</sup> / <sub>4</sub>	(2) 3 <sup>1</sup> / <sub>2</sub> "	(2) 5 <sup>1</sup> / <sub>2</sub> "	1,870	2,340	—
APDJT2R-6	12	2	5	9 <sup>1</sup> / <sub>2</sub>	(2) 3 <sup>1</sup> / <sub>2</sub> "	(2) 5 <sup>1</sup> / <sub>2</sub> "	1,870	2,340	IBC, FL



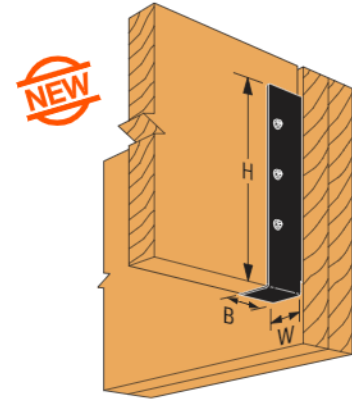
1. Roof loads are 125% of floor loads unless limited by other criteria. Floor loads may be adjusted for load durations according to the code provided they do not exceed those in the roof column.
2. Loads are per part.
3. Joist fastener is an Outdoor Accents® SDWS22512DBB structural wood screw inserted through an STN22 washer. Post fastener is an SDWS22312DBB structural screw inserted through an STN22 washer.
4. Fasteners sold separately.

# Outdoor Accents®

## Decorative Hardware

### Light Joist Hanger

Joist Size	Model No.	Ga.	Dimensions (in.)			Fastener Qty.		DF/SP Allowable Loads				Code Ref.
			W	H	B	Header	Joist	Uplift (160)	Floor (100)	Snow (115)	Roof (125)	
2x4	APLH24	14	1 <sup>9</sup> / <sub>16</sub>	3 <sup>3</sup> / <sub>16</sub>	1 <sup>7</sup> / <sub>8</sub>	4	2	315	690	795	865	IBC, FL
	APLH24R		2 <sup>1</sup> / <sub>16</sub>	3 <sup>1</sup> / <sub>16</sub>								
2x6 or 2x8	APLH26	14	1 <sup>9</sup> / <sub>16</sub>	5 <sup>1</sup> / <sub>8</sub>	1 <sup>7</sup> / <sub>8</sub>	6	4	900	1,040	1,195	1,300	
	APLH1.75/6		1 <sup>13</sup> / <sub>16</sub>	7 <sup>7</sup> / <sub>8</sub>								
	APLH26R		2 <sup>1</sup> / <sub>16</sub>	4 <sup>7</sup> / <sub>8</sub>								
2x10 or 2x12	APLH210	14	1 <sup>9</sup> / <sub>16</sub>	8	1 <sup>7</sup> / <sub>8</sub>	10	6	1,345	1,730	1,990	2,165	
	APLH1.75/10		1 <sup>13</sup> / <sub>16</sub>	7 <sup>7</sup> / <sub>8</sub>								
	APLH210R		2 <sup>1</sup> / <sub>16</sub>	7 <sup>3</sup> / <sub>4</sub>								

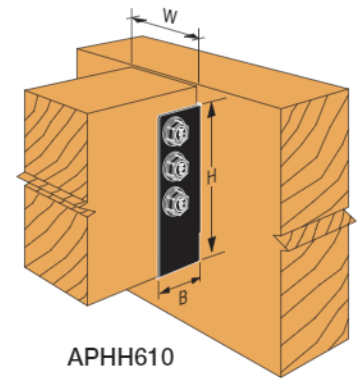


APLH210

1. Uplift loads have been increased for earthquake or wind loading with no further increase allowed. Reduce where other loads govern.
2. All fasteners are Simpson Strong-Tie® SD10112DBB.
3. Fasteners sold separately.

### Heavy Joist Hanger

Joist Size	Model No.	Ga.	Dimensions (in.)			Fasteners Qty.		DF/SP Allowable Loads				Code Ref.
			W	H	B	Header	Joist	Uplift (160)	Floor (100)	Snow (115)	Roof (125)	
4x6 or 4x8	APHH46	12	3 <sup>3</sup> / <sub>16</sub>	5 <sup>1</sup> / <sub>8</sub>	3	6	2	1,165	2,280	2,280	2,280	IBC, FL
	APHH46R		4 <sup>1</sup> / <sub>16</sub>	4 <sup>7</sup> / <sub>8</sub>								
6x10 or 6x12	APHH610	12	5 <sup>1</sup> / <sub>2</sub>	8 <sup>1</sup> / <sub>2</sub>	3	14	6	4,140	5,880	6,760	7,350	
	APHH610R		6	8 <sup>1</sup> / <sub>4</sub>								

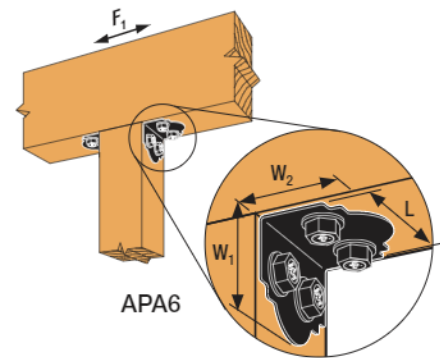


APHH610

1. Uplift loads have been increased for earthquake or wind loading with no further increase allowed. Reduce where other loads govern.
2. All fasteners are Simpson Strong-Tie® SDS25300 to the header and SDWS22312DBB with STN22 to the joist.
3. Fasteners sold separately.

### Heavy Angles

Model No.	Ga.	Dimensions (in.)			Fastener Qty.		DF/SP Allowable Loads		Code Ref.
		L	W <sub>1</sub>	W <sub>2</sub>	Column	Beam	Uplift (160)	F <sub>1</sub> (160)	
APA4	12	3	3 <sup>3</sup> / <sub>4</sub>	3	2	2	710	1,220	IBC, FL
APA6	12	5	3 <sup>3</sup> / <sub>4</sub>	3 <sup>1</sup> / <sub>2</sub>	4	4	1,350	1,985	

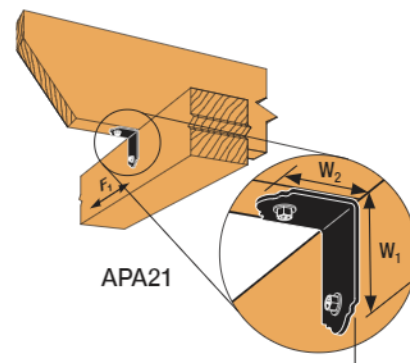


APA6

1. Allowable loads have been increased for wind or earthquake loading with no further increase allowed. Reduce where other loads govern.
2. Connector table loads and fastener quantities are listed for two parts. For single part installations, use half the listed values.
3. All fasteners are Outdoor Accents® SDWS22312DBB structural wood screws inserted through an STN22 washer.
4. Fasteners sold separately.

### Light Rafter Tie

Model No.	Ga.	Dimensions (in.)			Fastener Qty.		DF/SP Allowable Loads		Code Ref.
		L	W <sub>1</sub>	W <sub>2</sub>	Column	Beam	Uplift (160)	F <sub>1</sub> (160)	
APA21	14	1 <sup>3</sup> / <sub>8</sub>	2	1 <sup>1</sup> / <sub>2</sub>	1	1	200	120	IBC, FL





APA21

1. Allowable loads have been increased for wind or earthquake loading with no further increase allowed. Reduce where other loads govern.
2. Allowable loads are for a single part.
3. All fasteners are Outdoor Accents® SD10112DBB connector screws.
4. Fasteners sold separately.

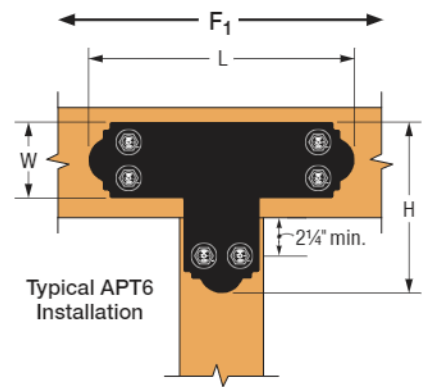
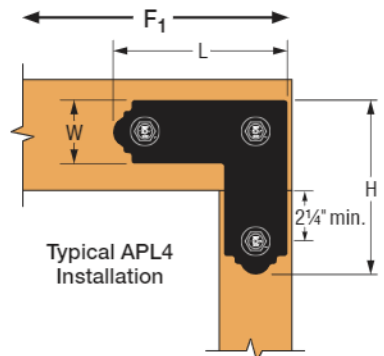
# Outdoor Accents®

## Decorative Hardware




### Beam-to-Column Ties and Flat Straps

Model No.	Ga.	Dimensions (in.)			Fastener Qty		DF/SP Allowable Loads		Code Ref.
		W	L	H	Column	Beam	Uplift/Tension (160)	F <sub>1</sub> (160)	
APL4	12	3	8¼	8¼	2	4	1,155	670	IBC, FL
APL6	12	5	11¼	11¼	4	6	1,905	1,340	
APT4	12	3	13½	8¼	2	4	1,330	1,015	
APT6	12	5	17½	11¼	4	8	2,130	1,425	
 APST412	12	3	11¼	—	—	4	1,505	—	—
 APST612	12	5	11¼	—	—	4	1,505	—	

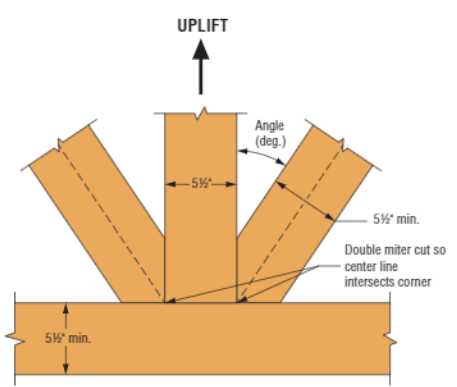
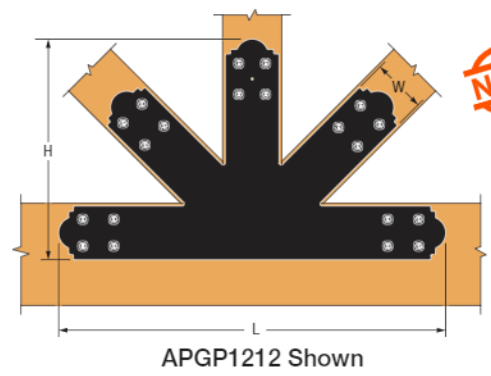
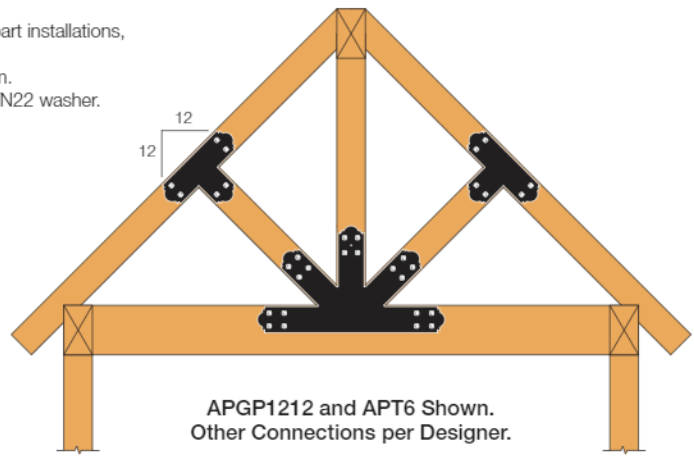
1. Allowable loads have been increased for wind or earthquake loading with no further increase allowed. Reduce where other loads govern.
2. Connector table loads and fastener quantities are listed for two parts. For single part installations, use half the listed values.
3. All fasteners are Outdoor Accents® SDWS22312DBB structural wood screws inserted through an STN22 washer.
4. Fasteners sold separately.



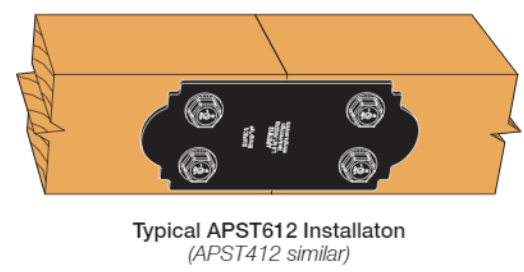
### Gable Plates

Model No.	Ga.	Roof Pitch	Angle (deg.)	Dimensions (in.)			Fastener Qty.			DF/SP Allowable Loads	Code Ref.
				W	H	L	Beam	Center Column	Angled Struts		
 APGP612	12	6:12	27°	5	20½	36	16	8	16	3,925	—
 APGP812		8:12	34°								
 APGP1212		12:12	45°								

1. Allowable loads have been increased for wind or earthquake loading with no further increase allowed. Reduce where other loads govern.
2. Connector table loads and fastener quantities are listed for two parts. For single part installations, use half the listed values.
3. Uplift loads apply to the connection between the center vertical post and the beam.
4. All fasteners are a Simpson Strong-Tie® SDWS22312DBB inserted through an STN22 washer. Quantities listed are for two parts.
5. Fasteners sold separately.



Note: 12:12 will have equal cuts. Other sizes will have unequal cuts.



C-C-2019 © 2019 SIMPSON STRONG-TIE COMPANY, INC.

Decorative Hardware