



Installation Guide For:



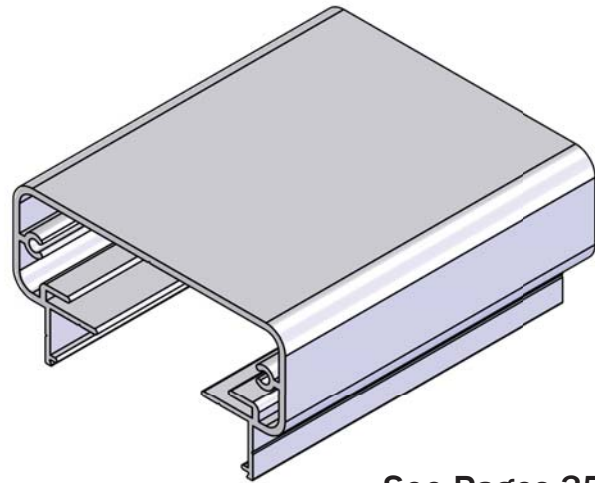
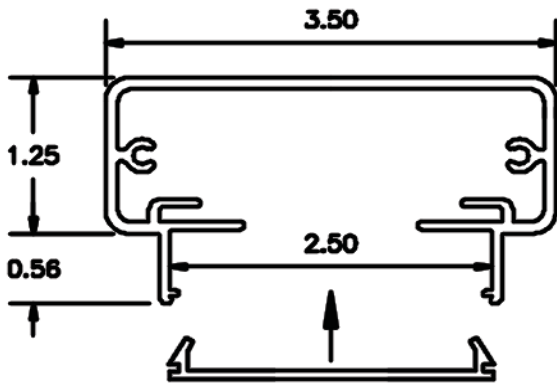
**This Packet MUST Accompany
Materials To Job Site**

Call 1-800-335-5909 for Installation Support

Drawing Enclosed

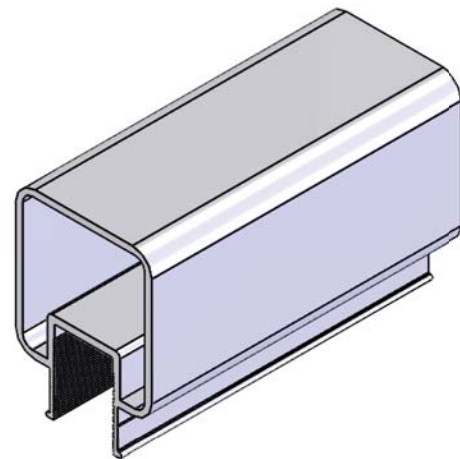
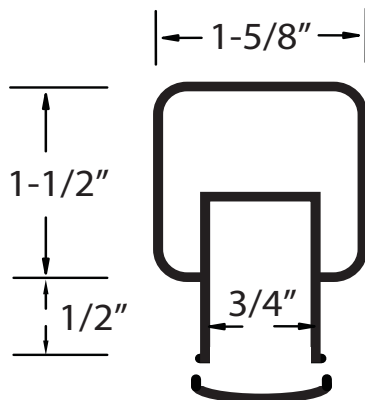
Top Rail Profiles

Series 200



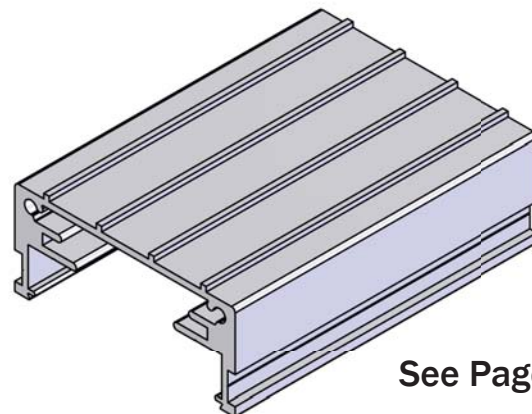
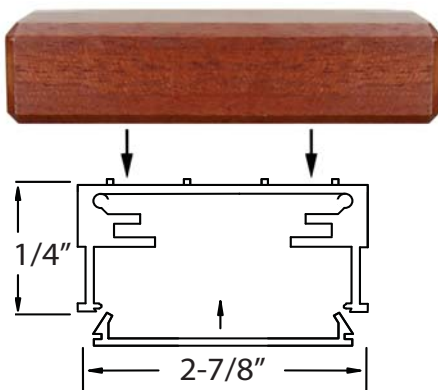
See Pages 35-40

Series 250



See Pages 41-43

Series 400



See Pages 45-49

It is the responsibility of the installer to meet all code and safety requirements, and to obtain all required building permits. The deck and railing installer should determine and implement appropriate techniques for each installation situation. RailFX™ or its distributors shall not be held liable for improper or unsafe installations.

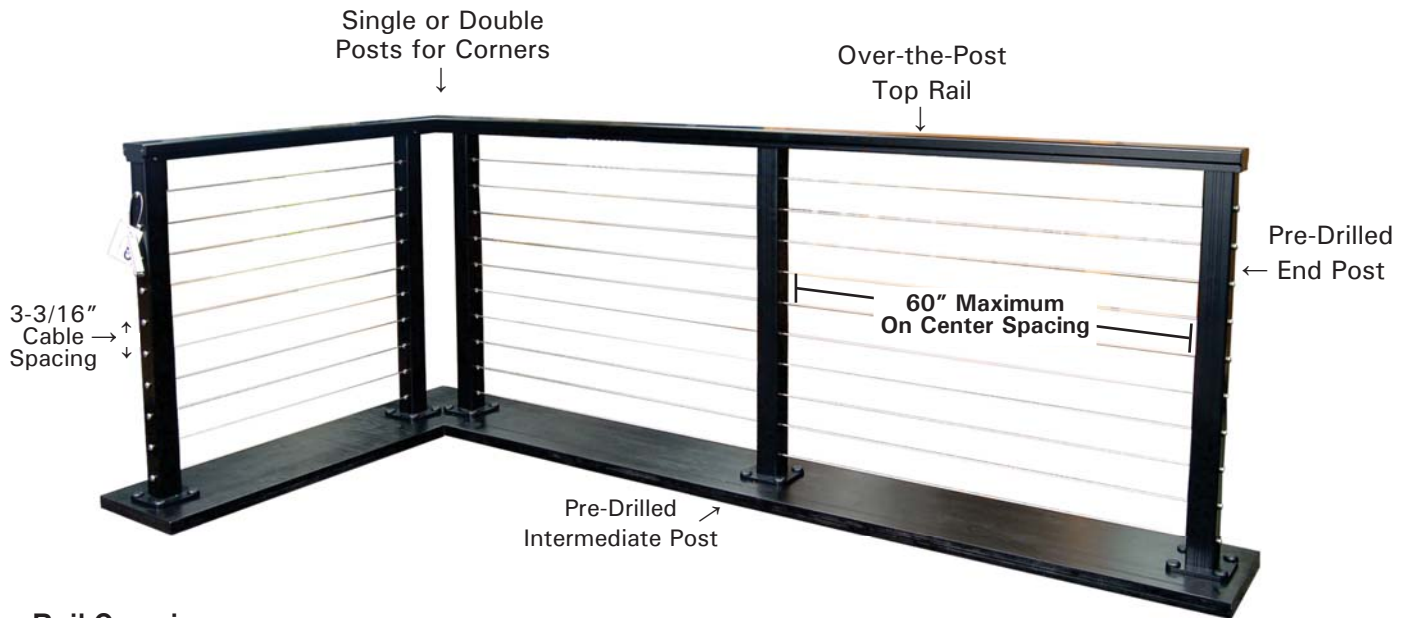
Determine appropriate layout and post spacing - **Maximum post spacing of 60" on center.**

Ensure that proper blocking is in place before mounting post.

Table of Contents

RailFX Railing Overview	2
Railing Component Guide	4 - 8
Surface Mount Post	9-11
Single Corner Post	12
Surface Mount for Stair	13 - 17
Fascia Mount Bracket Guide	19 - 21
Fascia Mount w/ Bracket	23 - 27
Fascia Mount - Direct Mount	29 - 33
 Series 200 Top Rail	35 - 40
 Series 250 Top Rail	41 - 43
 Series 400 Top Rail	45 - 48
Top Rail Plates for Wood	49 - 51
LED Under Rail Lighting	53 - 56
Gate Installation	57 - 61
Cable Railing Install	63 - 65

Framework for RailFX™ Aluminum Rail and Cable System



Rail Overview

Manufactured in the USA using aircraft grade aluminum, RailFX™ Aluminum Rail and Cable System has been designed, engineered and tested specifically for use with cable and is approved in all 50 states. The aluminum framework and stainless steel cable allows for railings to be lightweight, while still retaining exceptional durability. Railings will not rust, rot, warp, or split and require minimal user maintenance.

Rail Guidelines

To comply with engineering and testing **posts must be spaced apart no more than 60" on center**. Cables are spaced at 3-3/16" on center to keep the cable from deflecting beyond 4" to meet code. Single or double posts can be used to create a 90 degree corner for surface mount posts. Two corner posts are required for direct mount fascia applications. Cable can either terminate at the corner or run continuously through the corner. Top rail is required for all installations.

Posts

RailFX™ posts for level and stair railings are all predrilled and ready for cable installation. Stairs posts do not come with base plates attached so posts can be cut to size, placed and mounted where desired for maximum installation flexibility. All posts are available for surface mount or fascia mount and available for 36" and 42" rail heights.

Top Rails - Stock

There are 3 main styles of top rail that RailFX™ railing utilizes:

Series 200 is a contemporary flat top rail most often used for level applications. Can be used for stairs with the addition of a secondary handrail system.

Series 250 is a square profile that qualifies as a graspable rail and is most commonly used for stairs.

Series 400 is a flat top rail that is designed to accept a wood or composite cap rail.

Available Colors:

Colors shown are approximate representation



Black



Bronze



White



Silver

AAMA 2604 Powder Coat Finish

RailFX™

Aluminum Railing & Cable Systems

Components Guide



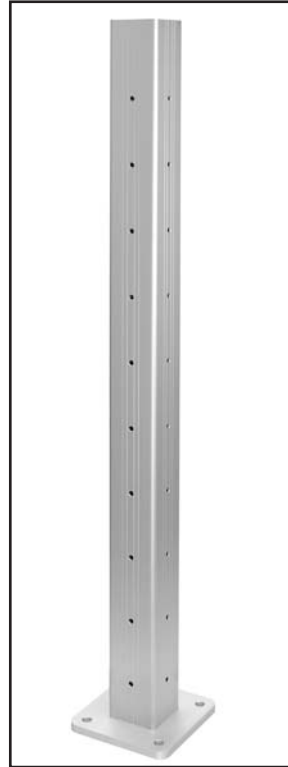
Posts



Surface Mount End Post
 2-3/8" X 35" Post - 10 Holes
 2-3/8" X 41" Post - 12 Holes
 (29/64" Pre-Drilled Holes)



Surface Mount Intermediate Post
 2-3/8" X 35" Post - 10 Holes
 2-3/8" X 41" Post - 12 Holes
 (3/16" Pre-Drilled Holes)



Surface Mount Corner Post
 2-3/8" X 35" Post - 10 Holes
 2-3/8" X 41" Post - 12 Holes
 (1/4" Pre-Drilled Holes)

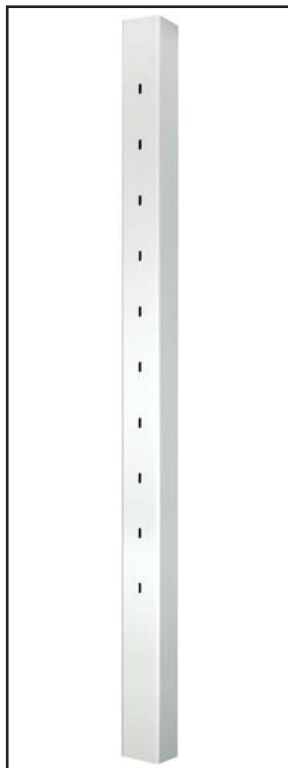


2 Piece Post Skirt
 (7/8" x 5-1/4")
 Fits 2-3/8" Posts
 Item # FXSKIRTXXX

Surface mount posts include bolt cap covers



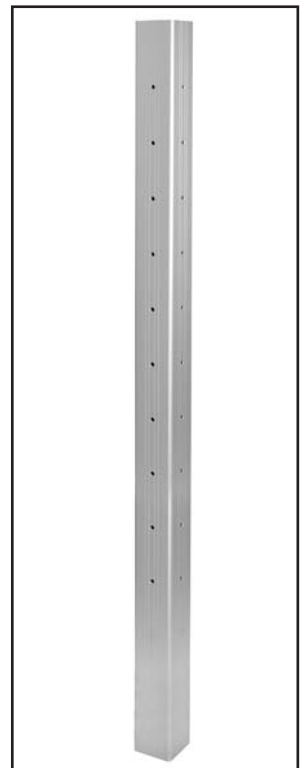
Fascia Mount End Post
 2-3/8" X 45" Post - 10 Holes
 2-3/8" X 52" Post - 12 Holes
 (29/64" Pre-Drilled Holes)



Fascia Mount Stair Post
 2-3/8" X 45" Post - 10 Holes
 2-3/8" X 52" Post - 12 Holes
 (Pre-Drilled Slotted Holes)

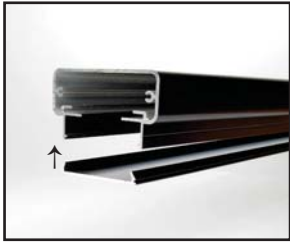


Fascia Mount Intermediate Post
 2-3/8" X 45" Post - 10 Holes
 2-3/8" X 52" Post - 12 Holes
 (3/16" Pre-Drilled Holes)



Fascia Mount Single Corner Post
 2-3/8" X 45" Post - 10 Holes
 2-3/8" X 52" Post - 12 Holes
 (3/16" Pre-Drilled Holes)

Top Rails / End Plates / Splices



**Series 200 Top Rail
w/ Flat Infill**

Item #: FXTR200XXX8KIT



**Series 200 Top Rail
End Plate Bracket**

Item #: ASEP200XXX



**Series 200 Top Rail
End Plate w/ Screws**

Item #: FXEP200XXX



**Series 250 Top Rail
w/ Flat Infill**

Item #: FXTR250XXX8KIT



**Series 200 Top Rail
Straight Splice**

Item #: FXSPL200



**Series 250 Top Rail
End Plate w/ Screws**

Item #: FXEP250XXX



**Series 200 Top Rail
90 Degree Splice**

Item #: FXSPL20090



**Series 250 Top Rail
Intermediate Post Fitting
(IPF)**

Item #: FXIPFSETXXX



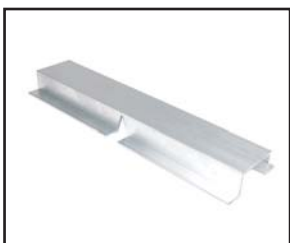
**Series 200 Top Rail
135 Degree Splice**

Item #: FXSPL200135



**Series 250 Top Rail
1" Rail Connecting
Block (RCB).**

Connects Rail to Face of Post
Item #: FXRCB1



**Series 200 Top Rail
Stair Splice**

Item #: FXSPLST



**Series 250 Top Rail
12" Rail Connecting
Block (RCB12).**

Used as Splice for Top Rail
Item #: FXRCB12

XXX = Color Code.

BLK (Black), BRZ (Bronze), WHT (White) and SIL (Silver)

Top Rails / End Plates / Splices / Lighting



**Series 400 Top Rail
w/ Flat Infill**

Item #: FXTR400XXX8KIT



**Level Top Plate to Attach
Wood Top Rail
w/ Hardware**

Item #: FXTTP3X5L2HXXX



**Series 400 Top Rail
End Plate w/ Screws**

Item #: FXEP400XXX



**Corner Top Plate to Attach
Wood Top Rail
w/ Hardware**

Item #: FXTPCORNER2HXXX



**Series 400 Top Rail
Straight Splice**

Item #: FXSPL200



**Stair Top Plate to Attach
Wood Top Rail
w/ Hardware**

Item #: FXTTP3X5S1HXXX



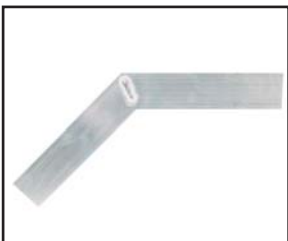
**Series 400 Top Rail
90 Degree Splice**

Item #: FXSPL20090



**Adjustable Top Plate to
Attach Wood Top Rail
w/ Hardware (1.5" x 5")**

Item #: FXIPFADJSETXXX



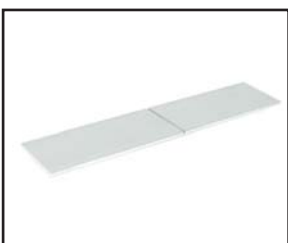
**Series 400 Top Rail
135 Degree Splice**

Item #: FXSPL200135



60" Top Rail Lighting Infill

Item #: FXFIG200XXX5



**Series 400 Top Rail
Stair Splice**

Item #: FXSPLST



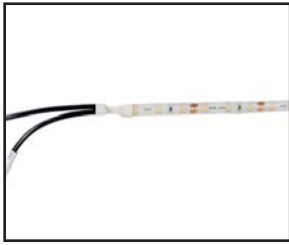
60" Diffuser Lens

Item #: FXFILENS60

XXX = Color Code.

BLK (Black), BRZ (Bronze), WHT (White) and SIL (Silver)

Lighting / Baseplates / Fascia Mounts



**55" LED Light Strip
w/ Adhesive Backing**

Item #: DP5L55



Narrow Knee Wall (3" X 7")
(Allows post to be mounted on angled knee wall)
Includes Screws & Bolt Cap Covers

Item #: FXBP3X7SLOTXXXKIT



**DekPro™ EFFEX
Transformer Kits**

Item #: DP36WTRANSKIT
Item #: DP60WTRANSKIT
Item #: DP100WTRANSKIT



Line Fascia Bracket (6" x 6")
Includes Bolt Cap Covers, Screws
and Bottom Plate

Item #: FXFMIB200XXX6



**DekPro™ EFFEX
9' Quick Connect Wire**

Item #: DP9CABLEMF



**Double Outside Corner Fascia
Bracket (6" x 6")**
Includes Bolt Cap Covers, Screws
and Bottom Plates

Item #: FXFMOCB200XXX6



Standard Base Plate (5" X 5")
(Converts fascia post to
surface mount)
Includes Screws & Bolt Cap Covers

Item #: FXBPXXXKIT



**Single Inside Corner Fascia
Bracket (6" x 6")**
Includes Bolt Cap Covers, Screws
and Bottom Plate

Item #: FXFMICBSINGLEXXX6



Knee Wall Base Plate (5" X 5")
(Allows post to be mounted on
angled knee wall)
Includes Screws & Bolt Cap Covers

Item #: FXBPKWXXXKIT



**Single Outside Corner Fascia
Bracket (6" x 6")**
Includes Bolt Cap Covers, Screws
and Bottom Plates

Item #: FXFMOCBSINGLEXXX6



Narrow Base Plate (3" X 5")
(Converts fascia post to
surface mount)
Includes Screws & Bolt Cap Covers

Item #: FXBP3X5XXXKIT



**Direct Mount Fascia
Post Kit**
Includes 7" Lags, 10" Flat Infill,
Bolt Cap Covers, Bottom Plate

Item #: FXFMFINSTKITXXX

XXX = Color Code.

BLK (Black), BRZ (Bronze), WHT (White) and SIL (Silver)

Hardware / Accessories



Flush Mount Fascia Post Bottom Plate
Includes Screws

Item #: FXFMPBPXXX



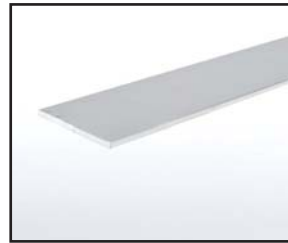
Touch up Paint
(Spray Can or Paint Pen)

Item #: FXPAINTXXX



Bolt Cap and Cup Washer
For 3/8" Diameter Fasteners

Item #: FXBOLTCAPXXXKIT



Internal Post Brace (IPB)
34" or 40" Internal Support
for Cable End Post

Item #: FXEPIF34

Item #: FXEPIF42



3/8" Stainless Steel Lag Screw

Item #: FXSCREWLAG5 (surface)

Item #: FXSCREWLAG7 (fascia)



Bee's Wax and T40 Drill Bit
(For Installing Base Plate)

Item #: FXDINSTKIT



#14 - 1" Fascia Bracket Screw

Item #: FXSSFS



Push-Lock Release Key

Item #: RFXPLKEY/R



#10 - 3/4" Screw

Item #: FXSCREWXXXW805



1/8" Cable Cutter

Item #: RFXC7HIT



Post Cap for 2-3/8" Post

Item #: FXPCXXX



Cable Gripping Pliers

Item #: RFXPLIERS

XXX = Color Code.

BLK (Black), BRZ (Bronze), WHT (White) and SIL (Silver)

RailFX™

Aluminum Railing & Cable Systems

**Surface Mount Posts
& Single Corner Post**

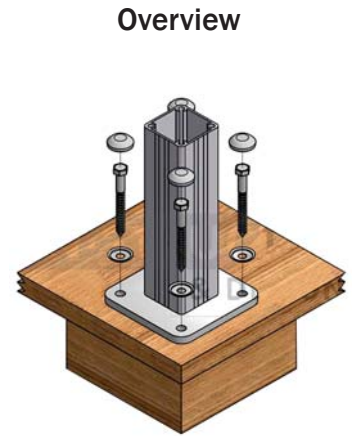


Installation Guide

Surface Mount Post Installation

For 36" RailFX™ Aluminum Railing and Cable System

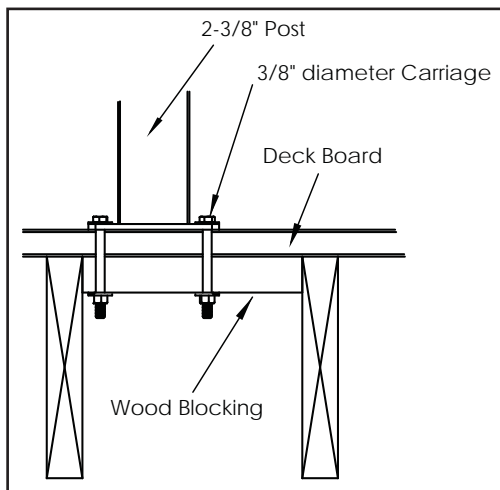
Materials needed for Installation:



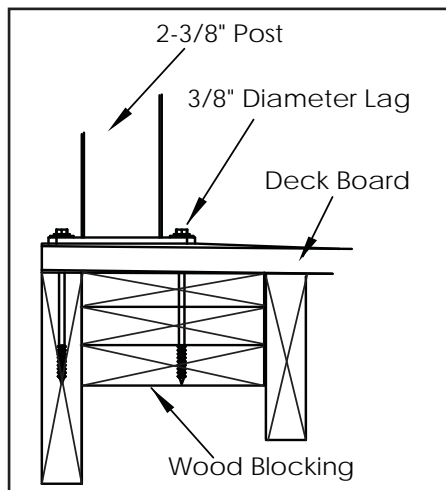
It is the responsibility of the installer to meet all code and safety requirements and to obtain all required building permits. The deck and railing installer should determine and implement appropriate techniques for each installation situation. RailFX™ or its distributors shall not be held liable for improper or unsafe installations. Determine appropriate layout and post spacing - **Maximum post spacing of 60" on center.** Ensure that proper blocking is in place before mounting post.

Post Mounting Options

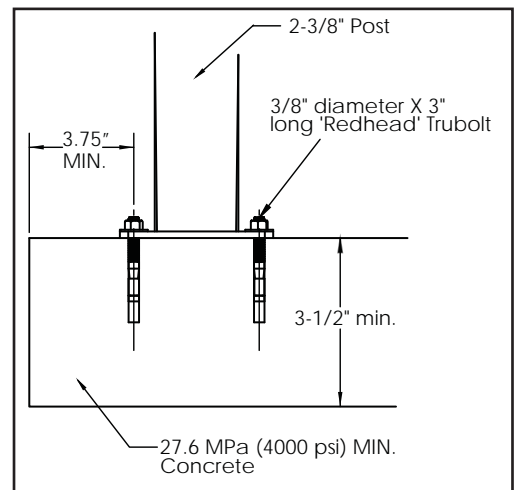
Surface Mount using Carriage Bolt



Surface Mount using Lag Bolt



Surface Mount using Concrete Anchor



- Wood blocking must be constructed with treated dimensional lumber
- Secure wood blocking to deck frame on all for sides - using #10 x 3-1/2" deck screws
 - Wood blocking must be constructed with a minimum thickness of 1-1/2"
- Base plate holes **MUST** be positioned a minimum 1/2" from the edge of deck board
 - Use only 3/8" diameter lag screws or carriage bolts to attach post
 - Secure each post with four bolts

Surface Mount Post Installation

For 36" RailFX™ Aluminum Railing and Cable System



Step 1:
Determine location of post and mark hole locations.



Step 2:
Remove post and pre-drill pilot holes to accept 3/8" diameter lag or carriage bolt.



Step 3:
Install cup washer under head of each fastener and drive fastener into blocking.



Step 4:
Ensure post is plumb, adjust as needed. Tighten fasteners and ensure proper engagement into blocking.



Step 5a:
Press bolt caps onto cup washer to finish post



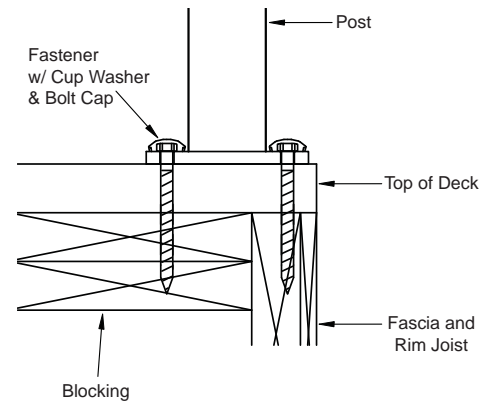
Step 5b:
Finished Installation. Unless using post skirt.



Step 6a:
Install 2 piece post skirt. Secure with 2 screws (included)



Step 6b:
Finished Installation.



Installation Guide Single Corner Post Installation

For Running Cables Through the Corner



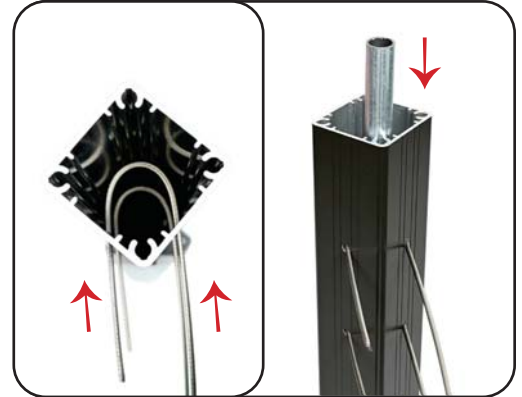
Step 1: Bend Cable

Create a slight bend in the cable to allow for cable to more easily pass through the single corner post.



Step 2: Insert Cable

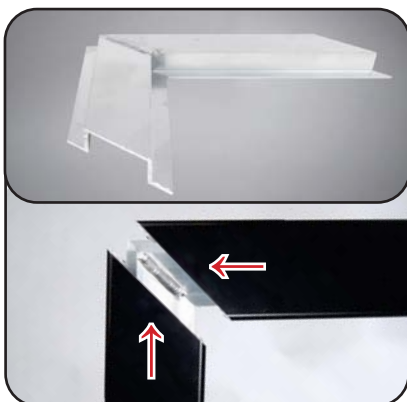
Insert the cable into the hole and pass cable through the post. Make sure not to fray the end of the cable when passing through the post.



Step 3: Insert Corner Tube

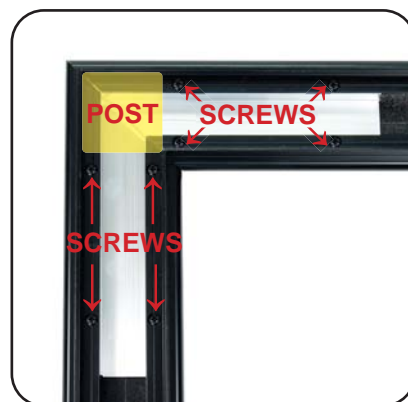
Feed cable into the post to allow for corner tube to be dropped into place. Corner tube allows for cable to pass smoothly around corners.

Series 200 Top Rail - Miter, Splice & Post Attachment



Step 1: Miter Top Rail

Miter top rails to create a 90 degree corner and slide splice into each end of the rail.



Step 2: 90 Degree Splice Install

Using 8 ea. screws, secure splice into top rail from the underside of the rail. Ensure the screws do not interfere with post placement.



Step 3: Single Corner Post

Once top rail is secured with a splice, it can be placed onto the post. Use 2 ea. screws to attach top rail to post.

RailFX™

Aluminum Railing & Cable Systems

Surface Mount for Stair



Installation Guide

Surface Mount: **Stair End Post**

For 36" RailFX™ Aluminum Railing and Cable System

Materials needed for Installation:



45" End Fascia Post



Base Plate Kit



3/8" Lags or Carriage Bolts



Bolt Caps & Cup Washers (Included w/ Baseplate)



Step 1:

Temporarily attach base plate to undrilled side of fascia end post using 2 screws (Use beeswax for easier install)



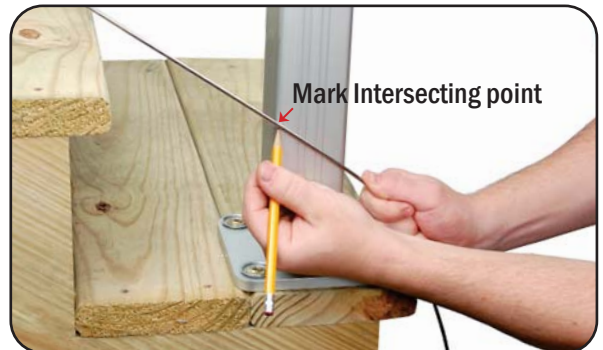
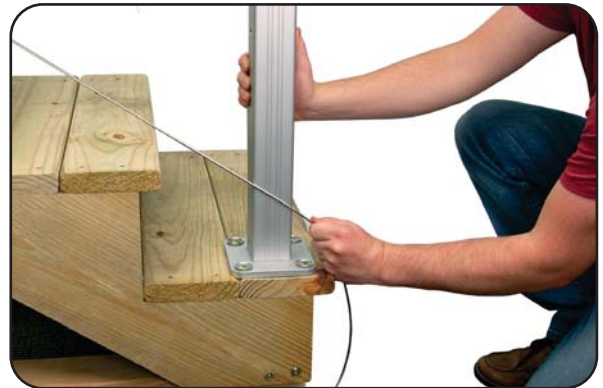
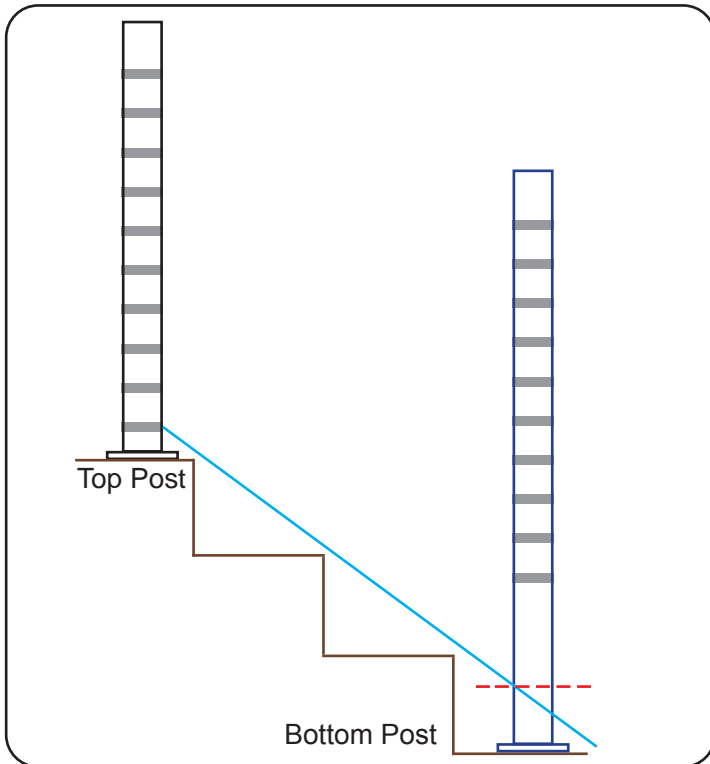
Step 2:

Determine location of bottom end post and mark base plate holes.



Step 3:

Temporarily fasten post.

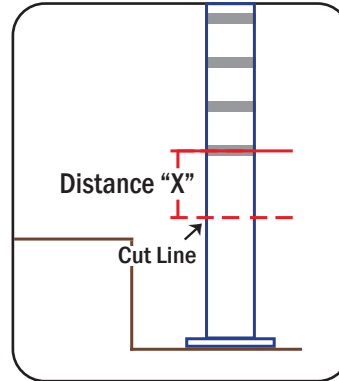
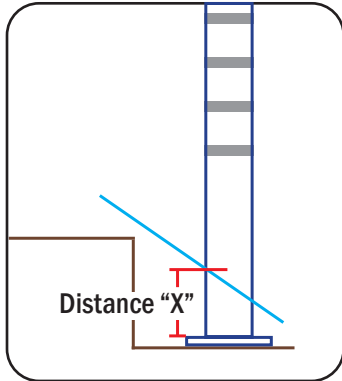


Step 4:

Insert cable into bottom hole of top end post (previously mounted) and pull tightly along side the bottom end post. Ensure that cable is evenly spaced above the nose of the treads, then mark the bottom end post where the cable intersects the post.

Surface Mount: Stair End Post

For 36" RailFX™ Aluminum Railing and Cable System



Step 5:

Measure distance (Distance "X") from the mark made in Step 4 to the top of the base plate.

Step 6:

Use Distance "X" from Step 5 and measure down from the center of the first hole (closest to the riser)



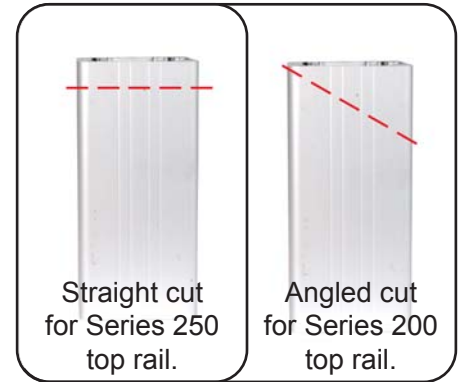
Step 7:

Remove post from tread and remove base plate from post before cutting. Then, cut post at the marked cut line from Step 6.



Step 8:

Re-attach base plate to bottom of cut post with all 4 screws. (Use beeswax for easier install)



Step 9:

Before final post attachment, the top of post will have to be cut accordingly, so cable is 3-1/2" or less from top rail.



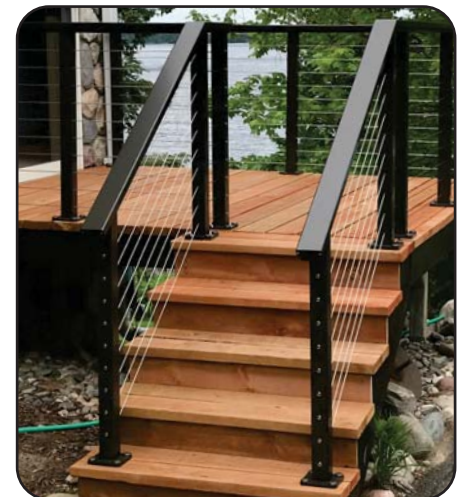
Step 10:

Attach post to surface.



Step 11:

Finished post installation. Bolt Caps (Shown) or Post Skirt



Installation Guide

Surface Mount: Stair Intermediate Post

For 36" RailFX™ Aluminum Railing and Cable System

Materials needed for Installation:



45" Stair Intermediate Fascia Post



Base Plate Kit



3/8" Lags or Carriage Bolts

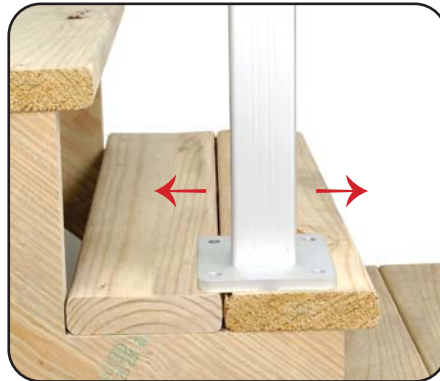


Bolt Caps & Cup Washers (Included w/ Baseplate)



Step 1:

Temporarily attach base plate to undrilled side of fascia end post using 2 screws (Use beeswax for easier install)



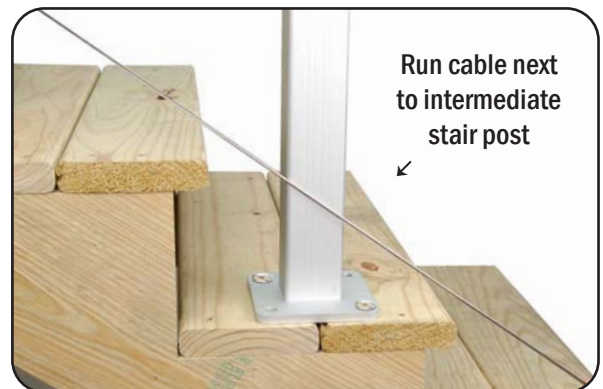
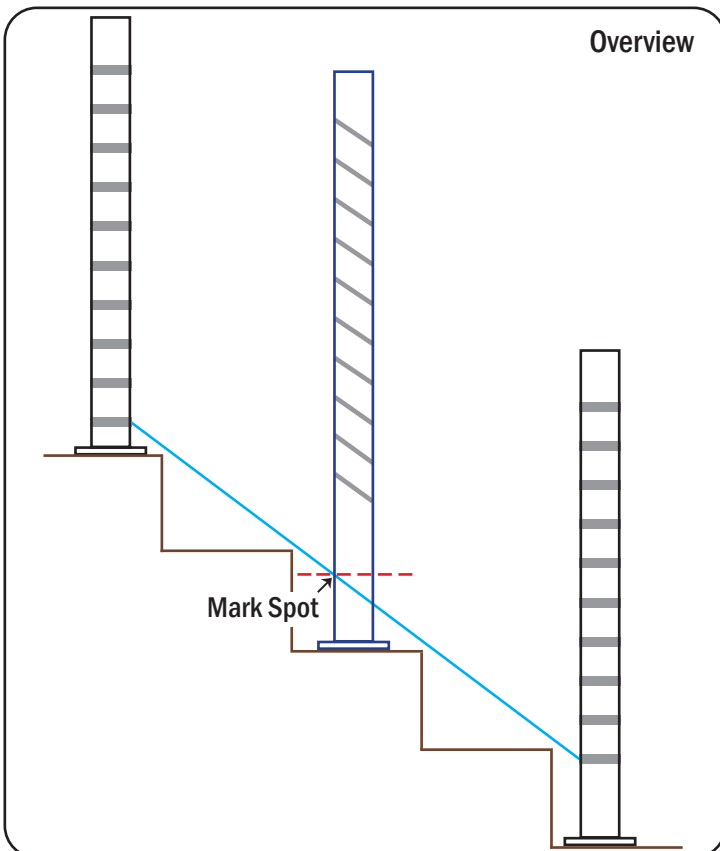
Step 2:

Determine location of intermediate stair post and mark base plate holes.



Step 3:

Temporarily fasten post to tread.

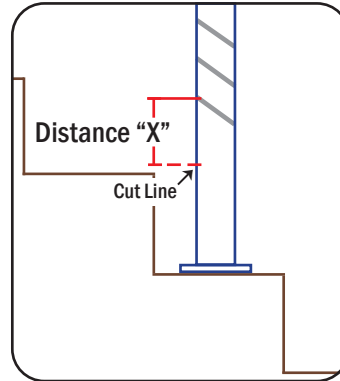
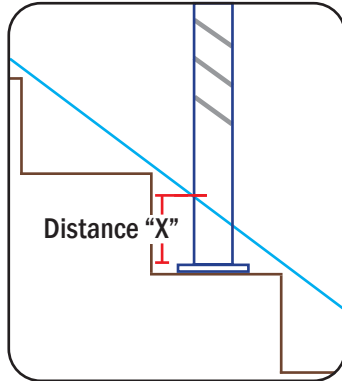


Step 4:

Insert cable into bottom hole of top and bottom end posts (previously mounted) and temporarily tighten cable with the cable running along side the intermediate stair post. Ensure that cable is evenly spaced above the nose of the treads, then mark the post where the cable intersects the post.

Surface Mount: Stair Intermediate Post

For 36" RailFX™ Aluminum Railing and Cable System



Step 5:

Measure distance (Distance "X") from the mark made in Step 4 to the top of the base plate.

Step 6:

Use Distance "X" from Step 5 and measure down from the center of the first hole (closest to the riser)



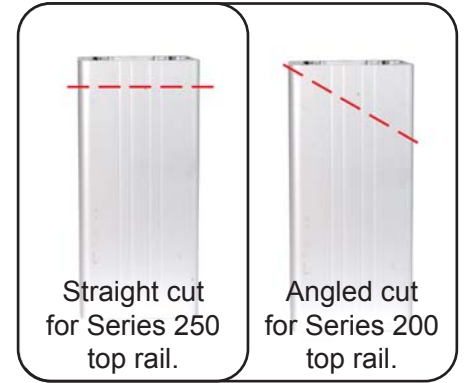
Step 7:

Remove post from tread and remove base plate from post before cutting. Then, cut post at the marked cut line from Step 6.



Step 8:

Re-attach base plate to bottom of cut post with all 4 screws. (Use beeswax for easier install)



Step 9:

Before final post attachment, the top of post will have to be cut accordingly, so cable is 3-1/2" or less from top rail.



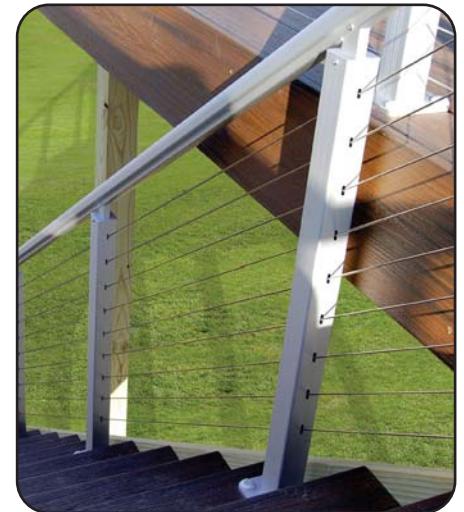
Step 10:

Attach post to tread.



Step 11:

Finished post installation. Bolt Caps (Shown) or Post Skirt





RailFX™

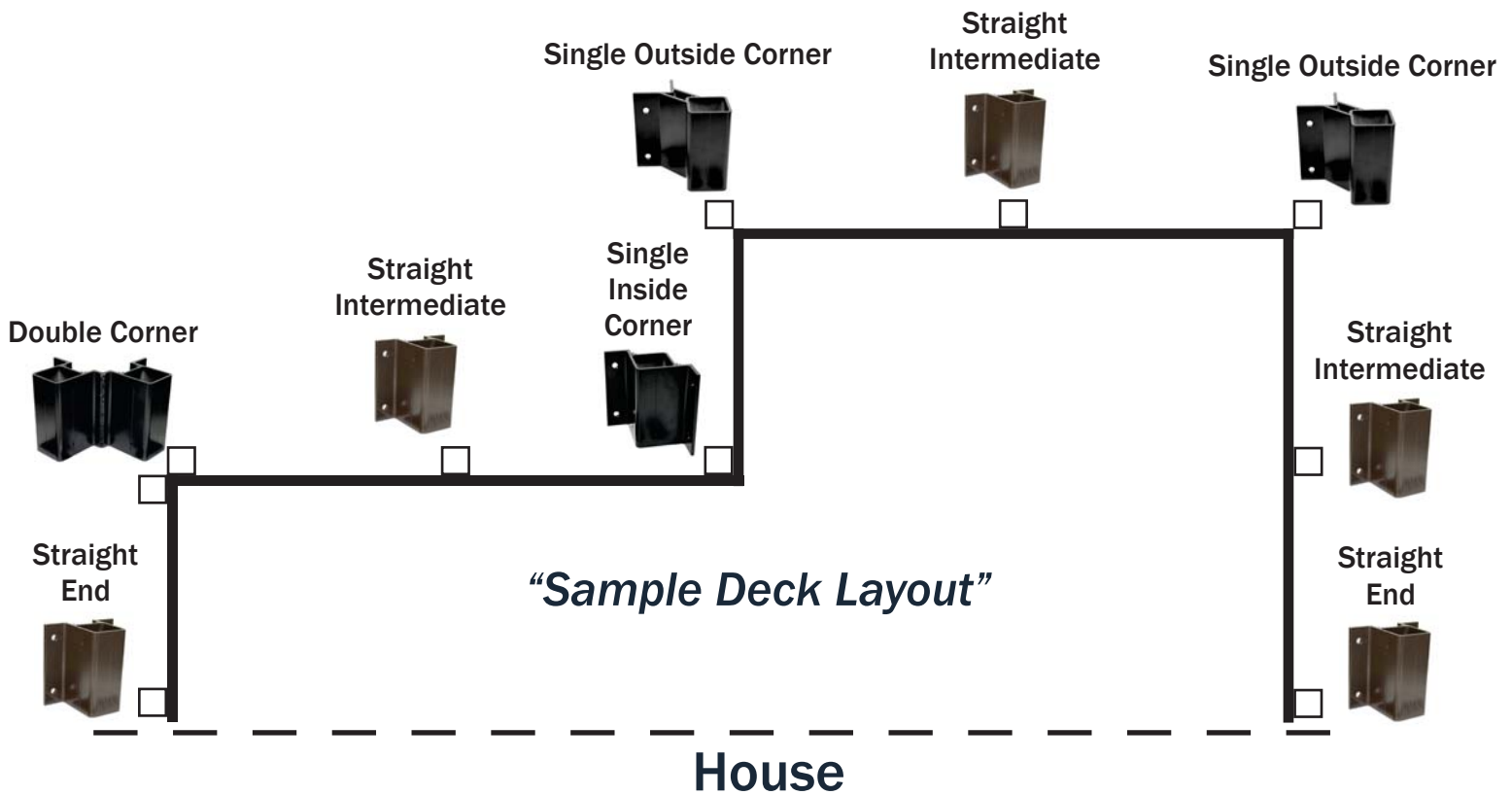
Aluminum Railing & Cable Systems

Fascia Mount Bracket Guide



Fascia Mount Bracket Guide

For RailFX™ Aluminum Railing and Cable System



Determine the Correct Brackets for Your Project:



Straight Fascia Bracket

Used For:

- End Post
- Intermediate Post
- Level & Stair
- Inside Corner when using two posts



Single Outside Corner Fascia Bracket

Used For:

- Outside Corner when using single corner post



Double Outside Corner Fascia Bracket

Used For:

- Outside Corner when using two posts



Single Inside Corner Fascia Bracket

Used For:

- Inside Corner when using single corner post

*All brackets provide a **1-1/4" offset** from the fascia to accommodate over-hanging deck boards.*

Fascia Mount Bracket Installation Overview

For RailFX™ Aluminum Railing and Cable System



Straight Fascia Bracket



Step 1:
Locate bracket.



Step 2:
Attach bracket to fascia



Double Outside Corner Fascia Bracket



Step 1:
Locate bracket.



Step 2:
Attach bracket to fascia



Single Outside Corner Fascia Bracket



Step 1:
Locate bracket.



Step 2:
Attach bracket to fascia



Single Inside Corner Fascia Bracket



Step 1:
Locate bracket.



Step 2:
Attach bracket to fascia



RailFX™

Aluminum Railing & Cable Systems

Fascia Mount w/ Brackets





Installation Guide Fascia Mount: End Post with Bracket

For 36" RailFX™ Aluminum Railing and Cable System

Materials needed for Installation:



3/8" Lags or Carriage Bolts



Bolt Caps & Cup Washers (Included)



Fascia Bracket Screws (Included)

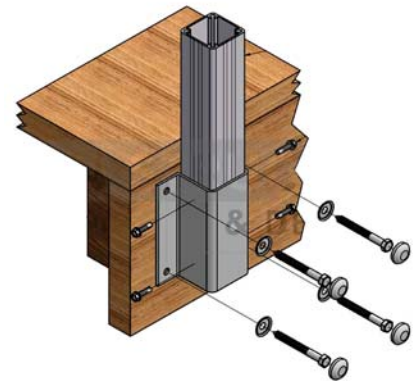


Fascia Bracket



45" End Fascia Post

Overview



Maximum post spacing of 60" on center.

Brackets provide **1-1/4" offset** from the fascia to accommodate over-hanging deck boards

Proper blocking must be in place before mounting posts.



Step 1:

Determine location of end post fascia bracket. Ensure bracket is plumb, mark holes, remove bracket and drill pilot holes to accept 3/8" diameter lag or carriage bolt.



Step 2:

Install cup washer under head of each fastener and drive fastener loosely into blocking.



Step 3:

Ensure bracket is plumb, adjust as needed. Tighten fasteners and ensure proper engagement into blocking.



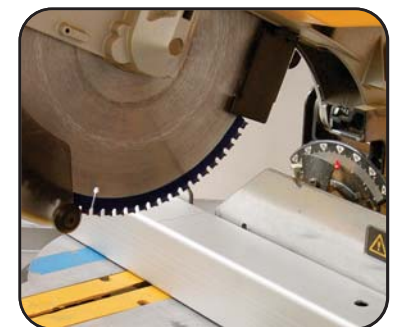
Step 4:

Install fascia end bracket at opposite end. Measure down from deck boards the same distance as the first bracket.



Step 5:

Set post into bracket upside down so the undrilled portion is at the top. Measure so that post is at 35-1/2" above deck surface to meet 36" rail height requirements. Mark post at that measurement.



Step 6:

Cut post at the mark made in Step 5 using a sharp carbide 80 tooth blade on a miter box.

Fascia Mount: End Post with Bracket

For 36" RailFX™ Aluminum Railing and Cable System



Step 7:

Set post back into bracket in the correct upright orientation with the undrilled part of the post going into the bracket.



Step 8:

Slide 2 ea. Internal Post Braces (included) into channels at the top of the post parallel with the end post holes. (These are shorter than the post and will slide to the bottom)



Step 9:

Secure post into bracket by installing 4 ea. self-drilling #14 x 1" screws at the dimpled locations on the side of bracket. Pilot with a 1/4" drill bit, if desired

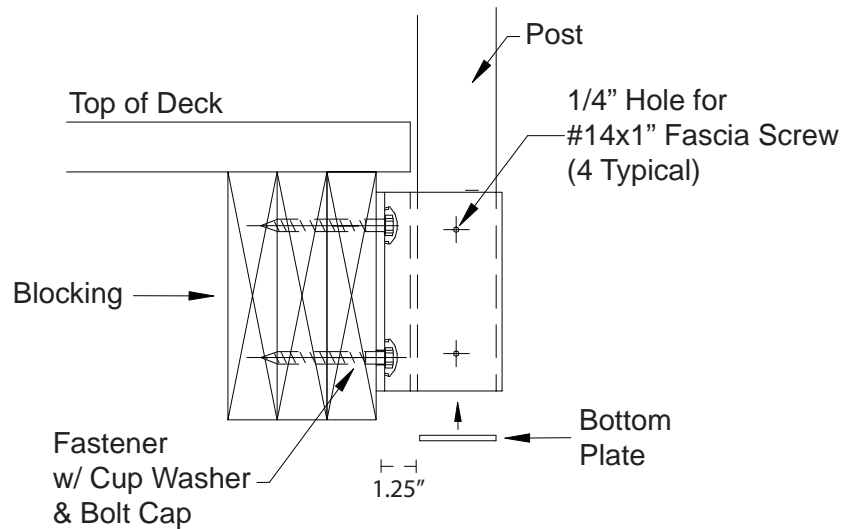


Step 10:

Install nylon bolt cap covers for a finished look.



Finished fascia mount bracket with post installed.





Installation Guide

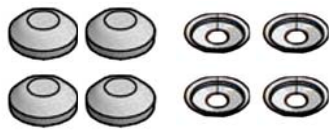
Fascia Mount: **Intermediate Post** with Bracket

For 36" RailFX™ Aluminum Railing and Cable System

Materials needed for Installation:



3/8" Lags or Carriage Bolts



Bolt Caps & Cup Washers (Included)



Fascia Bracket Screws (Included)

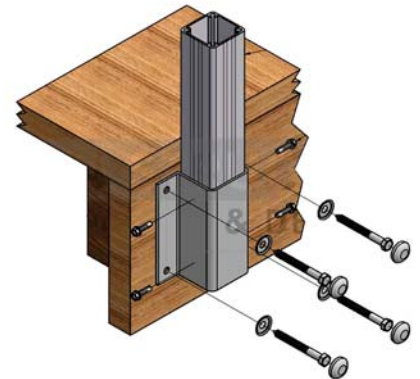


Fascia Bracket



45" Intermediate Fascia Post

Overview



Maximum post spacing of 60" on center.

Brackets provide **1-1/4" offset** from the fascia to accommodate over-hanging deck boards
Proper blocking must be in place before mounting posts.



Step 1:

End post brackets must be installed prior to intermediate bracket placement. A level string is then used to place intermediate bracket. Ensuring all brackets are on same plane.



Step 2:

Determine location of fascia bracket. Ensure bracket is level, mark holes, remove bracket and drill pilot holes to accept 3/8" diameter lag or carriage bolt.



Step 3:

Install cup washer under head of each fastener and drive fastener loosely into blocking.



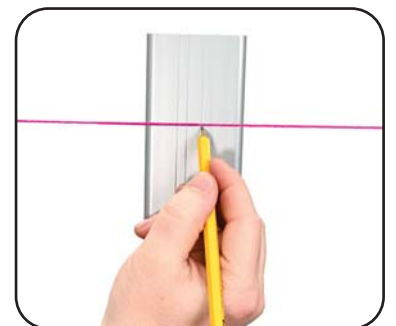
Step 4:

Ensure bracket is plumb, adjust as needed. Tighten fasteners and ensure proper engagement into blocking.



Step 5:

End posts must be installed prior to intermediate post placement. A level string can be used to properly align all intermediate posts. Place intermediate post into bracket upside down so the undrilled portion is at the top.



Step 6:

Mark the intermediate posts where the line intersects. Posts must be 35-1/2" above deck board for a 36" rail height.

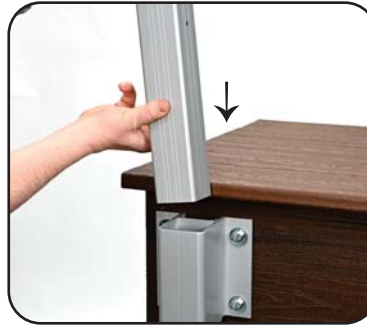
Fascia Mount: Intermediate Post with Bracket

For 36" RailFX™ Aluminum Railing and Cable System



Step 7:

Cut post at the mark made in Step 6 using a sharp carbide 80 tooth blade on a miter box.



Step 8:

Set post back into bracket in the correct upright orientation with the undrilled part of the post going into the bracket.



Step 9:

Secure post into bracket by installing 4 ea. self-drilling #14 x 1" screws at the dimpled locations on the side of bracket. Pilot with a 1/4" drill bit, if desired

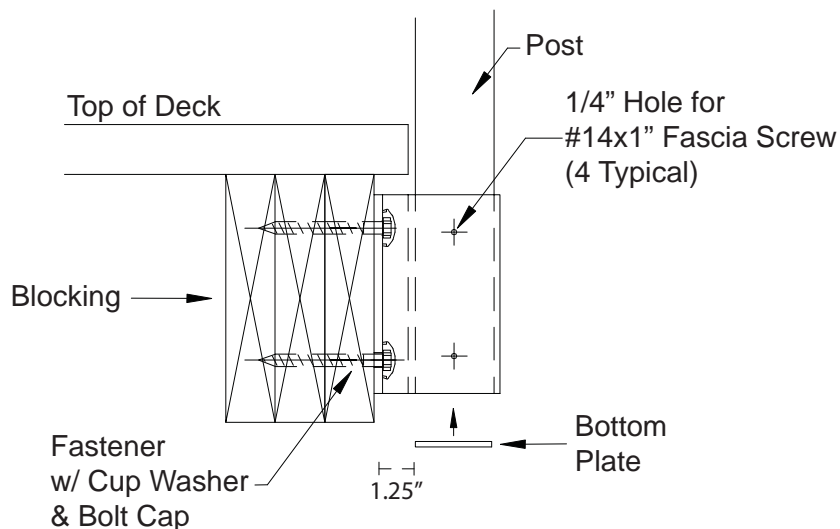


Step 10:

Install nylon bolt cap covers for a finished look.



Finished fascia mount bracket with post installed.





RailFX™

Aluminum Railing & Cable Systems

**Direct Mount
Fascia Mount w/o Brackets**

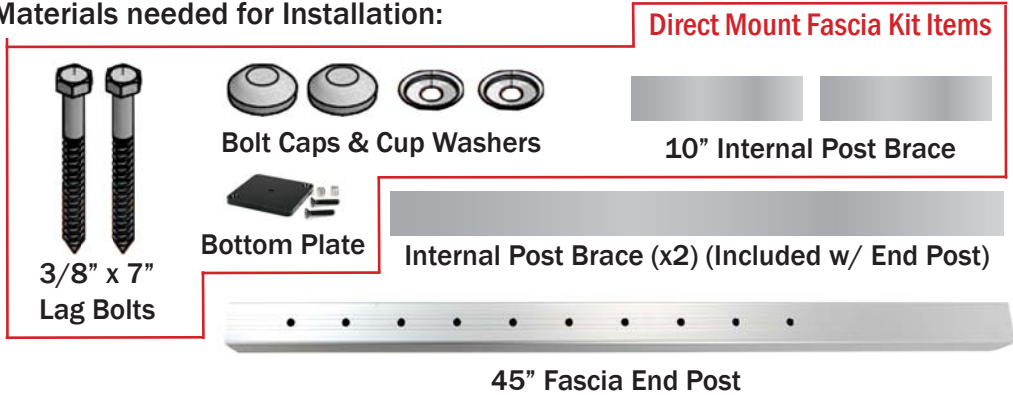


Installation Guide

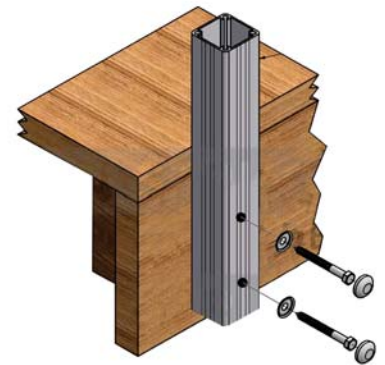
Fascia Mount: **End Post** Direct Mount

For 36" RailFX™ Aluminum Railing and Cable System

Materials needed for Installation:



Overview



Special Note:

All 90 Degree outside corners will required 2 posts to be used.

Maximum post spacing of 60" on center.

Proper blocking must be in place before mounting posts.



Step 1:

Determine location of end post. (Max. post spacing of 50" on center) Posts must be 35-1/2" above deck board for a 36" rail height.



Step 2:

Mark post at deck height to use as a reference point.



Step 3:

From the mark you created you can measure down to your first hole and mark. Second hole must be at least 4-1/2" down from the first hole.



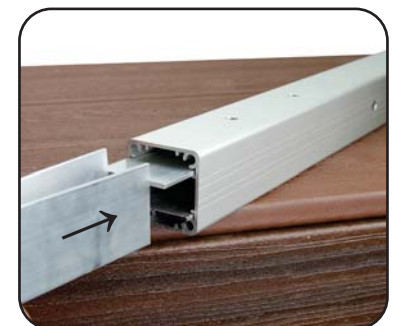
Step 4:

Drill holes. If using a drill press you can do both holes at once. Otherwise you should mark and drill both sides separately.



Step 5:

With post laying horizontally, slide 2 ea. 34" Internal Post Braces (IPB) into existing channels perpendicular to pre-drilled fastener holes. IPB's provide necessary rigidity for posts.

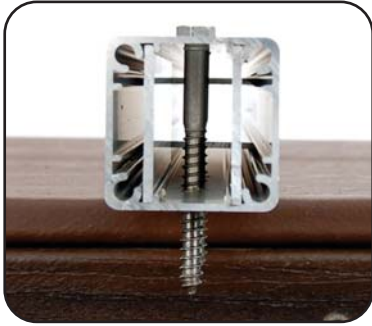


Step 5a:

Then, slide 2 ea. 10" Internal Post Braces (IPB) into other channels parallel to pre-drilled fastener holes. IPB's provide support for posts.

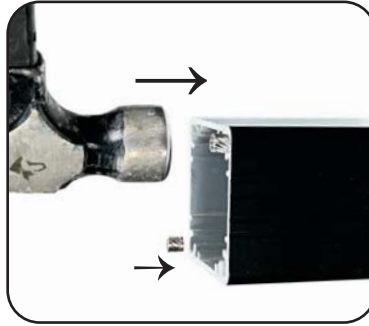
Fascia Mount: End Post Direct Mount

For 36" RailFX™ Aluminum Railing and Cable System



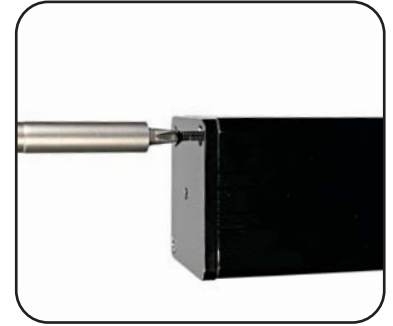
Step 5b:

This cross section from the view looking up from the bottom of the post shows how the IPB's crisscross inside the post.



Step 6:

At the bottom of the post, tap 2 ea. screw inserts into the post screw bosses using a hammer until flush with the post.



Step 7:

Attach fascia post bottom plate to the bottom of the post using 2 ea. included screws.



Step 8:

Confirm location of fascia post. (Max. post spacing of 60" on center) Mark holes, remove post and drill pilot holes to accept 3/8" lag or carriage bolt.



Step 9:

Install cup washer under head of each fastener and drive fastener loosely into blocking.



Step 10:

Plumb post, adjust as needed. Tighten fasteners and ensure proper engagement into blocking.



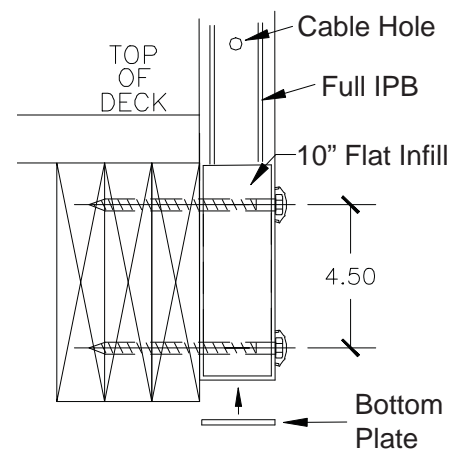
Step 11:

Install nylon bolt cap covers for a finished look.



Step 12:

Finished fascia mount post installed.





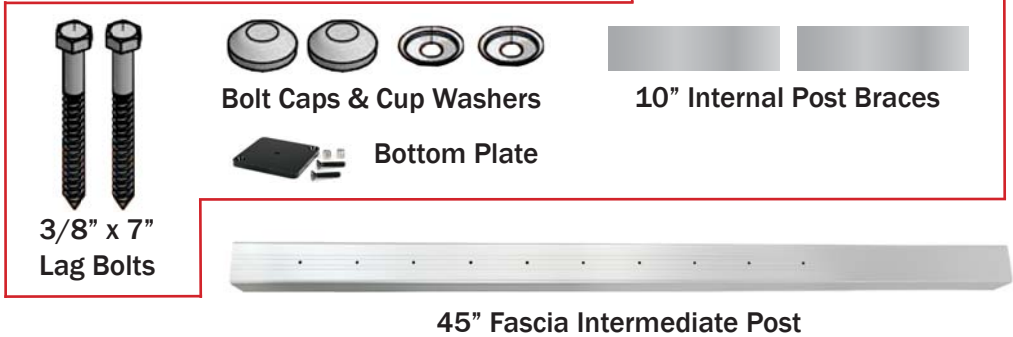
Installation Guide

Fascia Mount: Intermediate Post Direct Mount

For 36" RailFX™ Aluminum Railing and Cable System

Materials needed for Installation:

Direct Mount Fascia Kit Items



Overview



Special Note:

All 90 Degree outside corners will required 2 posts to be used.

Maximum post spacing of 60" on center.

Proper blocking must be in place before mounting posts.



Step 1:

End posts must be installed prior to intermediate post placement. A level string can be used to properly align all intermediate posts. Posts must be 35-1/2" above deck board for a 36" rail height.



Step 2:

Mark post at deck height to use as a reference point.



Step 3:

From the mark you created you can measure down to your first hole and mark. Second hole must be at least 4-1/2" down from the first hole.



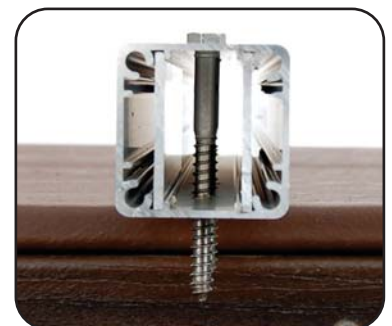
Step 4:

Drill holes. If using a drill press you can do both holes at once. Otherwise you should mark and drill both sides separately.



Step 5:

With post laying horizontally, slide 2 ea. 10" Internal Post Braces (IPB) into existing channels parallel to pre-drilled fastener holes. IPB's provide necessary rigidity for posts.

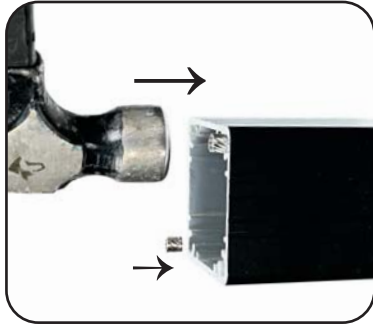


Step 5a:

This cross section from the view looking up from the bottom of the post shows how the IPB's look inside the post.

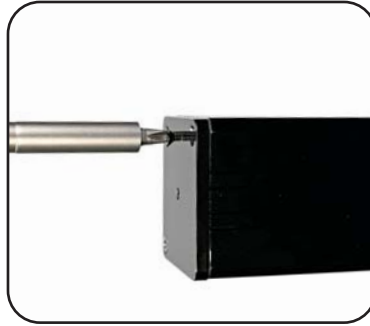
Fascia Mount: Intermediate Post Direct Mount

For 36" RailFX™ Aluminum Railing and Cable System



Step 6:

At the bottom of the post, tap 2 ea. screw inserts into the post screw bosses using a hammer until flush with the post.



Step 7:

Attach fascia post bottom plate to the bottom of the post using 2 ea. included screws.



Step 8:

Determine location of fascia post. (Max. post spacing of 60" on center) Mark holes, remove post and drill pilot holes to accept 3/8" lag or carriage bolt.



Step 9:

Install cup washer under head of each fastener and drive fastener loosely into blocking.



Step 10:

Plumb post, adjust as needed. Tighten fasteners and ensure proper engagement into blocking.



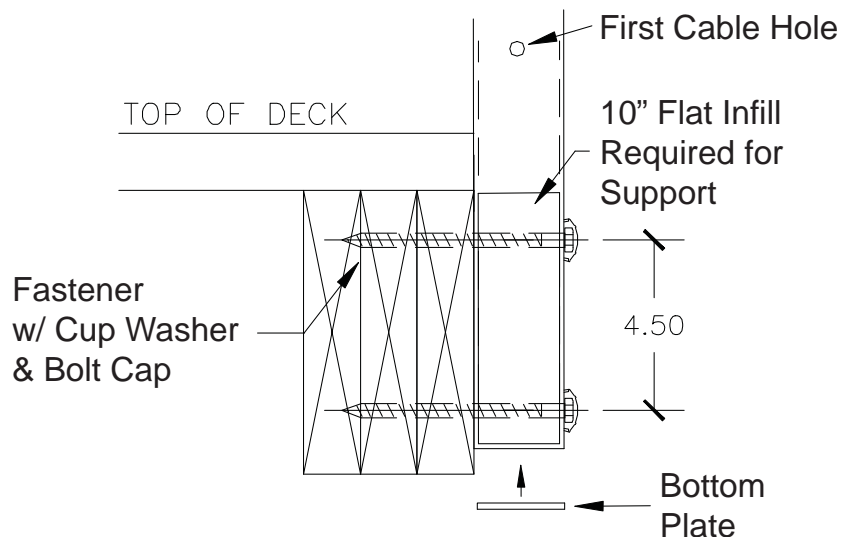
Step 11:

Install nylon bolt cap covers for a finished look.



Step 12:

Finished fascia mount post installed.





RailFX™

Aluminum Railing & Cable Systems

Series 200 Top Rail

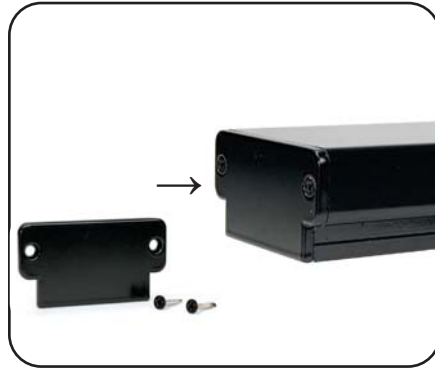


Series 200 Top Rail for Level Applications



Attaching to End Post

Rail slides over top of post and attaches with 2 ea. screws. 1 screw on each side. Top rail end plate can be attached before or after installation.



Attaching End Plate

End plate goes on open end of top rail. Use 2 ea. included machine screws to attach to top rail.



Attaching to Intermediate Post

Rail slides over top of post and attaches with 2 ea. screws. 1 screw on each side.



Series 200 Level Splice - Step 1

Level splice slides into each end of the rail. Splice must be secured into place with 8 ea. screws from the underside of the top rail.



Underside View

Series 200 Level Splice - Step 2

Use 8 ea. screws to secure splice into rail from the underside.



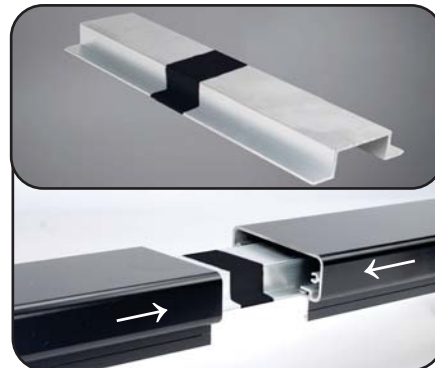
Option to Splice Over a Post

Splice must be installed into rail and then rail mounts to post.



Splice Between Posts

Use splice to connect rails together where the rails meet between posts.



Painting Splices (Optional)

Paint a section of the splice where the connection is being made. Applies to all colors.



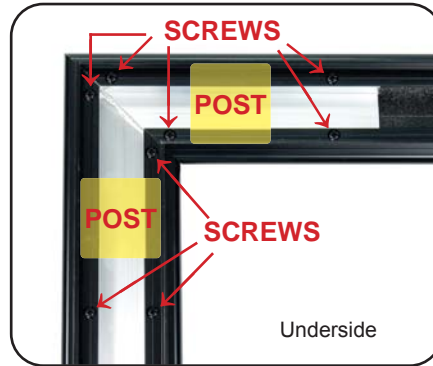
Painting Top Rail Ends (Optional)

Paint the rail ends on all splices or an inconspicuous splice. Also prevents oxidation. Applies to all colors.

Series 200 Top Rail Splicing



200 - 90 Degree Splice - Step 1
Splice slides into each end of the rail.
Splice must be secured into place with 8 ea. screws from underside.
(Top rail must be mitered).



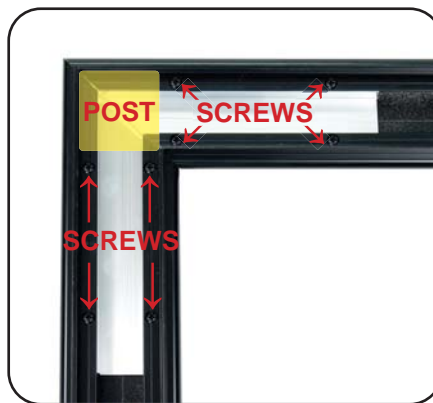
200 - 90 Degree Splice - Step 2
Splice must be secured into place with 8 ea. screws from underside.
Ensure screw spacing allows for posts to attach to top rail.



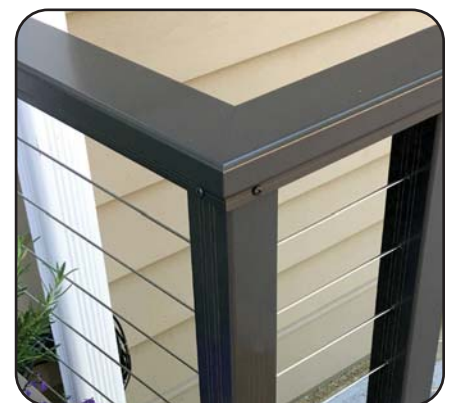
90 Degree Splice - Application
Finished look using 90 degree splice to connect rails.
Single Corner Post Option Also See Below



Single Corner Post - Step 1
Miter top rails to create a 90 degree corner and slide splice into each end of the rail.



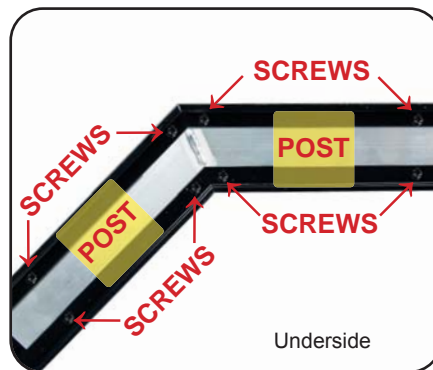
Single Corner Post - Step 2
Using 8 ea. screws, secure splice into top rail from the underside of the rail. Ensure the screws do not interfere with post placement.



Single Corner Post - Application
Once top rail is secured with a splice, it can be placed onto the post. Use 2 ea. screws to attach top rail to post.
(Surface Mount Post Only)



200 - 135 Degree Splice - Step 1
Splice slides into each end of the rail.
Splice must be secured into place with 8 ea. screws from underside.
(Top rail must be mitered).



200 - 135 Degree Splice - Step 2
Splice must be secured into place with 8 ea. screws from underside.
Ensure screw spacing allows for posts to attach to top rail.

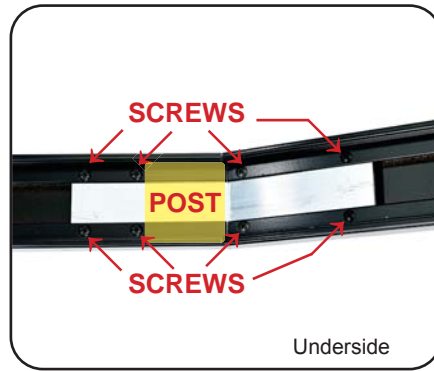


135 Degree Splice - Application
Finished look using 135 degree splice to connect rails.

Series 200 Top Rail for Stair Applications



Series 200 - Stair Splice - Step 1
Splice slides into each end of the rail. Bend splice to the correct angle of the stairs and secure splice into place with 8 ea. screws.



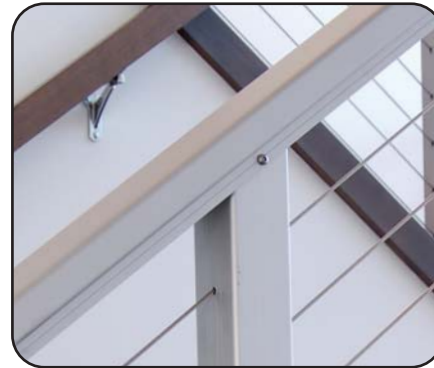
200 - Stair Splice - Step 2
Splice must be secured into place with 8 ea. screws from underside. Ensure screw spacing allows for post to attach to top rail.



200 - Stair Splice - Application
Example of rail mitered down the stairs in a continuous line.



Series 200 Stair Posts
Post must be cut at the angle of the stairs to allow for proper top rail attachment.



Series 200 Stair Intermediate Post
Post must be cut at the angle of the stairs. Rail slides over top of post and attaches with 2 ea. screws. 1 screw on each side.



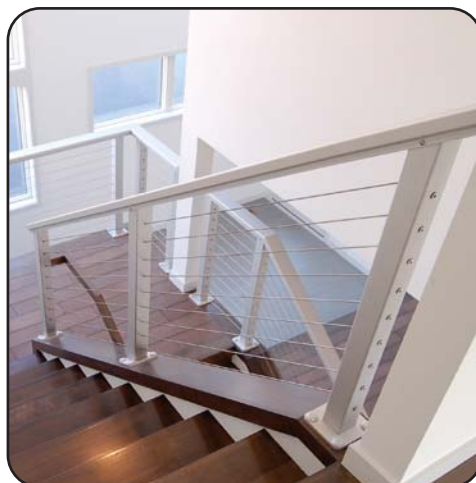
Series 200 Stair End Post
Post must be cut at the angle of the stairs. Rail slides over top of post and attaches with 2 ea. screws. 1 screw on each side.

Please Note

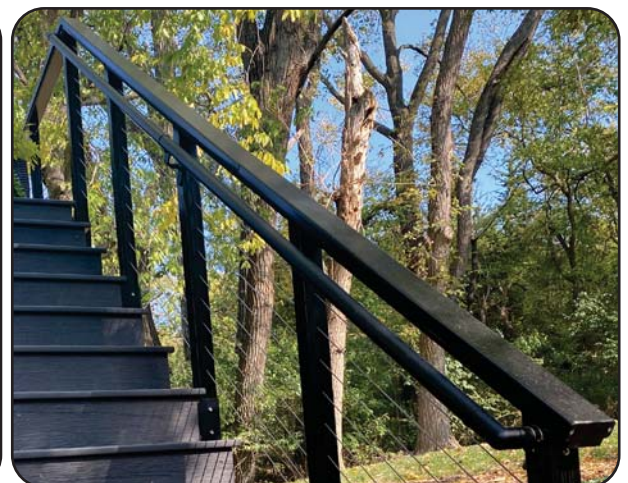
Series 200 Top Rail does not qualify as a graspable rail down the stairway. A secondary handrail must be used or Series 250 top rail can be used.

Please Note

Painting the ends of railing that has been cut will help to prevent oxidation.



Series 200 Top Rail for Level and Stair Rail - Anodized



Series 200 Top Rail for Level and Stair Rail - Black

Series 200 End Plate Bracket



Series 200 End Plate Bracket

Aluminum end plate bracket used to connect series 200 top rails perpendicularly. Used at the top of the stair where the level and stair rails meet at 90 degrees. Allows for single corner post use at top of stairs. Includes 2 color matched screws.



Scenario # 1 - Single Corner Stair Post (Install method #1)



Scenario # 2 - 90 Return to Stair (Install method #2)



Install Method #1



Install Method #2



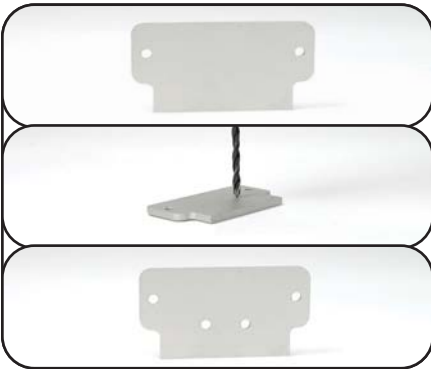
Series 200 End Plate Bracket - Continued



Scenario # 3 - Between Existing Rails (Install method #1)

Similar to Scenario #2 but eliminates any splicing. The brackets allow for a small section of top rail to be placed inbetween existing railings. Most commonly seen at the top of stairs. These short sections can use either aluminum vertical balusters (Shown) or cable railing for infill.

Series 200 Top Rail Terminating Into Post or Column



Series 200 Terminating into Post Step 1

Convert end plate into a bracket by drilling holes through the end plate for screws.



Series 200 Terminating into Post Step 2

Use 2 ea. included screws to attach end plate to top rail. Then use holes that were created to connect top rail into post or column.



Series 200 Terminating into Post Step 3

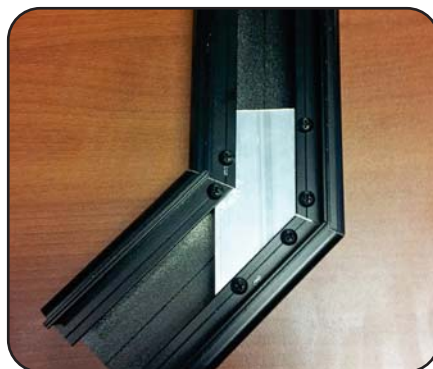
Finished look of attached top rail to existing post or column.

Series 200 Infill



Series 200 - Flat Infill

Cut flat infill to length and snap into bottom side of top rail. **Install prior to tensioning the cables.**



Series 200 - Unique Splice

Series 200 - Unique Splice with End Post Infill

If Series 200 top rails need to be spliced at a unique / shallow angle a piece of flat aluminum stock can be used to achieve this installation. The flat aluminum will need to be cut accordingly and then secured into place using 6 - 8 self-drilling screws from the underside.

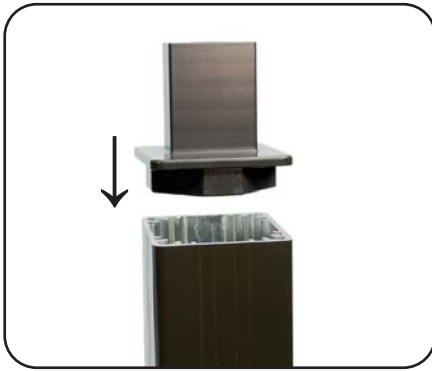


RailFX™

Aluminum Railing & Cable Systems

Series 250 Top Rail





Intermediate Post Fitting (IPF)

IPF fitting slides down into post. Secure fitting in place with 2 ea. screws included. 1 screw on each side. Post will have to be cut accordingly, so cable is 3-1/2" or less from top rail



Attaching Top Rail to Post

Rail slides over IPF fitting and attaches with 2 ea. screws. 1 screw on each side.



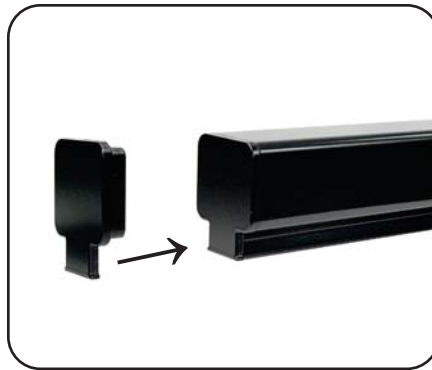
Series 250 - Intermediate Post

Once top rail is installed on post, snap in the bottom infill for a finished look.



Series 250 - End Post

Rail slides over IPF fitting and attaches with 2 ea. screws. 1 screw on each side. Top rail end plate can be attached before or after installation.



Series 250 End Plate

Use adhesive to secure end plate to top rail.



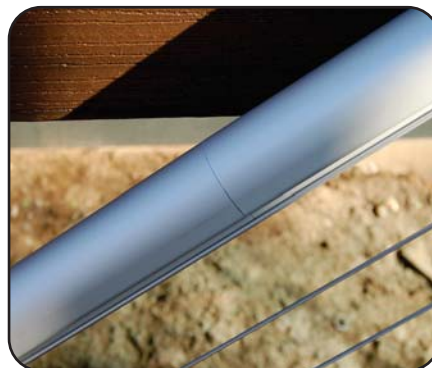
Series 250 - Flat Infill

Cut flat infill to length and snap into bottom side of top rail. **Install prior to tensioning the cables.**



Series 250 Rail Connecting Block (RCB)

Use RCB12 to splice rails together. RCB12 slides into both top rails and then secures with 8 ea. screws.



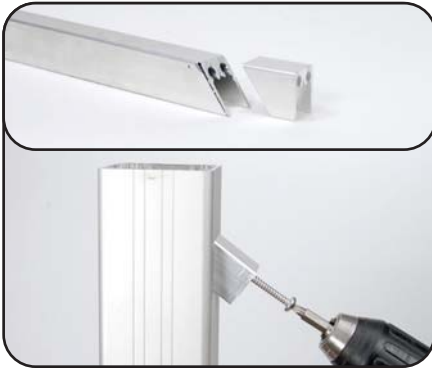
Series 250 Splice between Posts

RCB12 slides into each end of the rail. RCB12 must be secured into place with 8 ea. screws. Allows rails to be spliced between posts.



Connecting on IPF Fitting

Top rails may also be spliced on top of a post using the IPF fitting. This does not require the use of a splice.



Top Rail Terminating into Post Step 1

Use 12" Rail Connecting Block (RCB12) to cut an angled piece out of. Then screw the cut piece to the post with 2 ea. screws.



Top Rail Terminating into Post Step 2

Top rail mounts into the side of the post using the rail connecting block. Attach rail with 2 ea. screws. 1 screw on each side.



Post Cap Installation

If terminating series 250 top rail into the post, a post cap must be installed to finish the rail. Use adhesive to secure post cap into post.



RailFX™ Silver - Series 250 (Graspable Stair)

Series 250 Top Rail Over the post using IPF Fitting



Series 200 Top Rail - Level Series 250 Rail - Stair



Series 250 Rail - Stair



Series 250 Rail - Terminating Into End Posts

Please Note Painting the ends of railing that has been cut will help to prevent oxidation.



RailFX™

Aluminum Railing & Cable Systems

Series 400 Top Rail



Series 400 Top Rail Applications



Series 400 Top Rail

Allows for a wood / composite cap rail to be attached to the RailFX rail system. Cap rail can be screwed directly to top rail or dadoed out.



Attaching to End Post

Rail slides over top of post and attaches with 2 ea. screws. 1 screw on each side.



Attaching to End Post

Wood / Composite cap rail attaches to series 400 top rail by screws from the bottom side.



Attaching to Intermediate Post

Rail slides over top of post and attaches with 2 ea. screws. 1 screw on each side.



Attaching to Intermediate Post

Wood / Composite cap rail attaches to series 400 top rail by screws from the bottom side.



Screwing from bottom Side

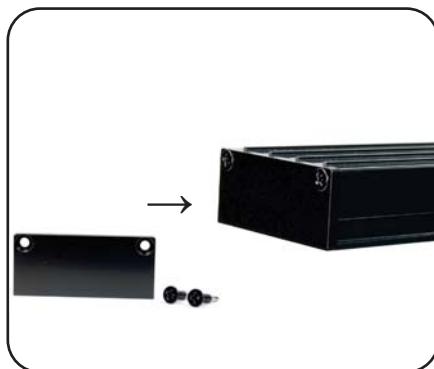
Wood / Composite cap rail attaches to series 400 top rail by screws from the bottom side.

Do this before installing flat infill.



Series 400 - Flat Infill

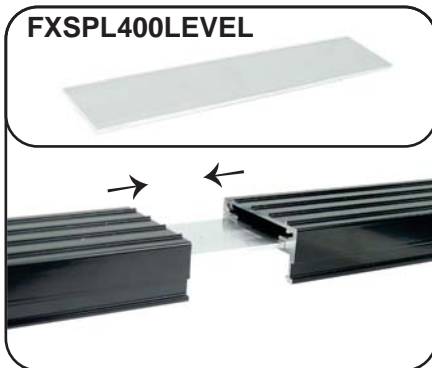
Cut flat infill to length and snap into bottom side of top rail. **Install prior to tensioning the cables.**



Attaching End Plate

End plate goes on open end of top rail. Use 2 ea. included machine screws to attach to top rail.

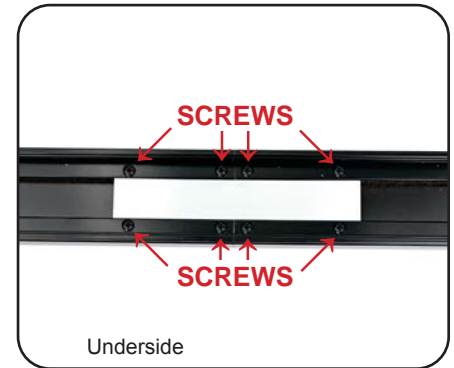
Series 400 Top Rail Splicing Applications



400 Straight Splice - Step 1
Both top rails slide over top of post and attaches with screws. 1 screw on each side. (Total of 4 ea. screws).



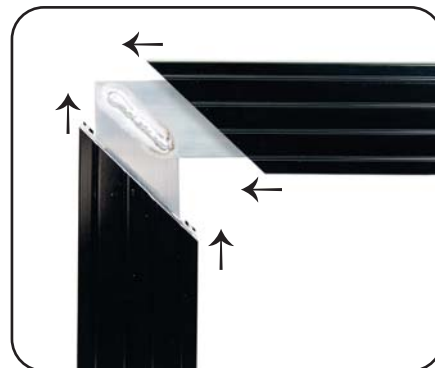
Painting Top Rail Ends (Optional)
It is recommended to paint the rail ends / splices for an inconspicuous splice seam. Also prevents oxidation. Applies to all colors.



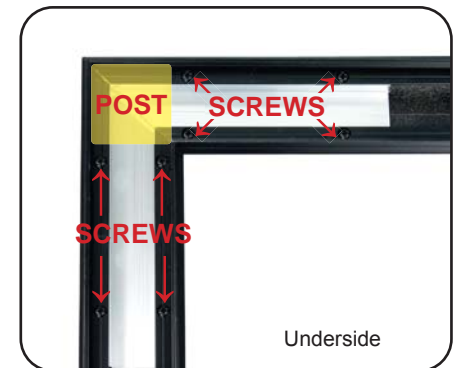
400 Straight Splice - Step 2
Splice must be secured into place with 8 ea. screws from underside. Splice is made from a cut piece of IPB (flat aluminum stock).



400 - 90 Degree Splice - Step 1
90 Degree Splice used to connect series 400 top rail in the corners of the RailFX railing system



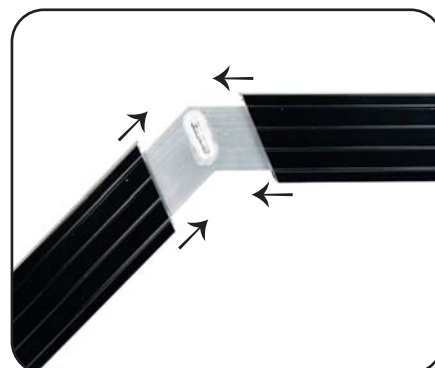
400 - 90 Degree Splice - Step 2
Top rails must be mitered to create a 90 degree corner. Splice slides into splice channels of top rail at each end of the rail.



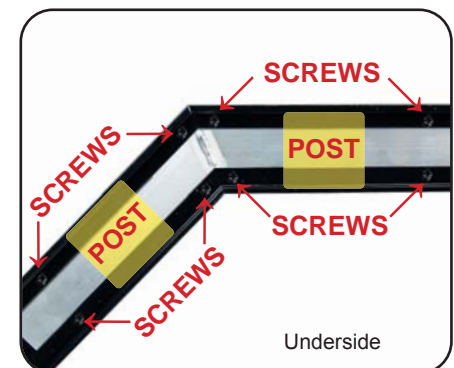
400 - 90 Degree Splice - Step 3
Splice must be secured into place with 8 ea. screws from underside. Ensure screw spacing allows for posts to attach to top rail.



400 - 135 Degree Splice - Step 1
135 Degree Splice used to connect series 400 top rail in the corners of the RailFX railing system



400 - 135 Degree Splice - Step 2
Top rails must be mitered to create a 135 degree angle. Splice slides into splice channels of top rail at each end of the rail.



400 - 135 Degree Splice - Step 3
Splice must be secured into place with 8 ea. screws from underside. Ensure screw spacing allows for posts to attach to top rail.

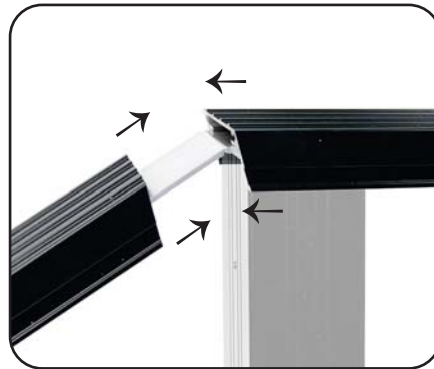
Series 400 Top Rail Splicing Applications



FXSPL400STAIR

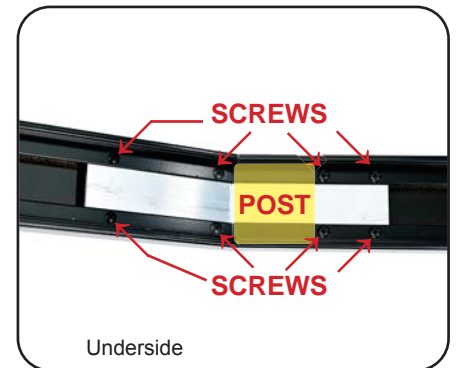
400 - Stair Splice - Step 1

135 Degree Splice used to connect series 400 top rail in the corners of the RailFX railing system



400 - Stair Splice - Step 2

Top rails must be mitered to create a stair angle. Splice slides into splice channels of top rail at each end of the rail. Bend Splice to correct angle.



Underside

400 - Stair Splice - Step 3

Splice must be secured into place with 8 ea. screws from underside. Ensure screw spacing allows for post to attach to top rail.

Series 400 Top Rail Terminating Into Post or Column



Series 400 Terminating into Post Step 1

Convert end plate into a bracket by drilling holes through the end plate for screws.



Series 400 Terminating into Post Step 2

Use 2 ea. included screws to attach end plate to top rail. Then use holes that were created to connect top rail into post or column.



Series 400 Terminating into Post Step 3

Finished look of attached top rail to existing post or column.

Special Notes:

- Cap rail **MUST add 1/2"** or more to overall rail height to reach the required rail heights for both 36" and 42" rails.
- A scarf joint should be used to allow for expansion and contraction of cap rail.
- Butt joints of the cap rail and top rail should be staggered.
- Painting the ends of railings that have been cut will help to prevent oxidation.

RailFX™

Aluminum Railing & Cable Systems

Top Plates for Wood





Level Top Plate - Step 1

Attach level top plate to post using 4 ea. 5/16" x 2" stainless steel screws. Use T40 Torx bit for installation. (Use beeswax for easier install)



Level Top Plate - Step 2

Set wood top rail onto plate and mark hole locations. Pre-drill holes if desired.



Level Top Plate - Step 3

Wood top rail attaches to level top plate using 2 ea. screws from the bottom side. (Screws not included)



Corner Top Plate - Step 1

Attach corner top plate to post using 2 ea. 5/16" x 2" stainless steel screws. Use T40 Torx bit for installation. (Use beeswax for easier install)



Corner Top Plate - Step 2

Top rails must be mitered to fit corner. Set wood top rail onto plate and mark hole locations. Pre-drill holes if desired.



Corner Top Plate - Step 3

Wood top rail attaches to level top plate using 2 ea. screws from the bottom side. (Screws not included)



Stair Top Plate - Step 1

Attach stair top plate to post using 4 ea. 5/16" x 2" stainless steel screws. Post must be cut to match stair angle. Use T40 Torx bit for installation. (Use beeswax for easier install)



Stair Top Plate - Step 2

Screw heads are not flush with plate and wood top rail must be relieved to fit flush on plate. Screw heads could also be ground down flush with plate.



Stair Top Plate - Step 3

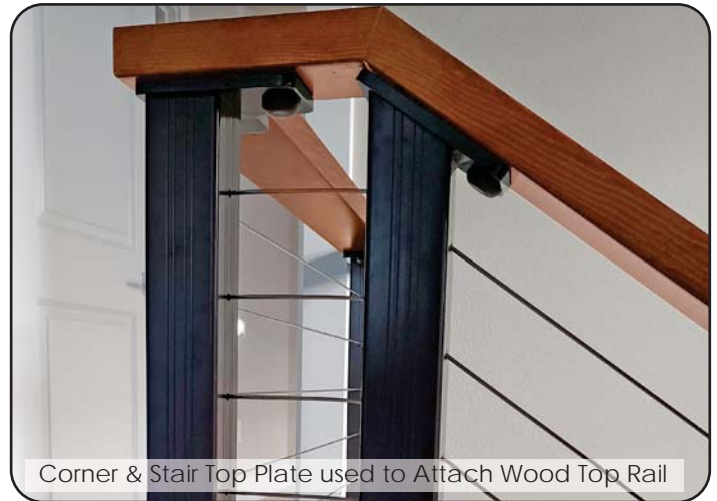
Set wood top rail onto plate and mark hole location. Pre-drill holes if desired.



Stair Top Plate - Step 4
Wood top rail attaches to level top plate using 1 ea. screws from the bottom side.
(Screw not included)



Level Top Plate used to Attach Wood Top Rail



Corner & Stair Top Plate used to Attach Wood Top Rail

Adjustable Top Plate Installation



Adjustable Top Plate - Step 1
Tap Screw inserts down into the post screw bosses using a hammer until flush with the post.



Adjustable Top Plate - Step 2
Adjustable top plate mounts onto the post using 4 ea. screws.
(Top Plate is 1.5" x 5")



Adjustable Top Plate - Step 3
Wood cap rail attaches to Adjustable top plate using 4 ea. screws from the bottom side.
(Screws not included)



RailFX™

Aluminum Railing & Cable Systems

LED Lighting Strip



Installation Guide

Under Rail Lighting For RailFX Rail

DekPro™ EFFEX LED Low Voltage Lighting Strip

Materials needed for Installation:



Series 200 Top Rail (Top)



60" Top Rail Lighting Infill



60" Diffuser Lens



55" Light Strip

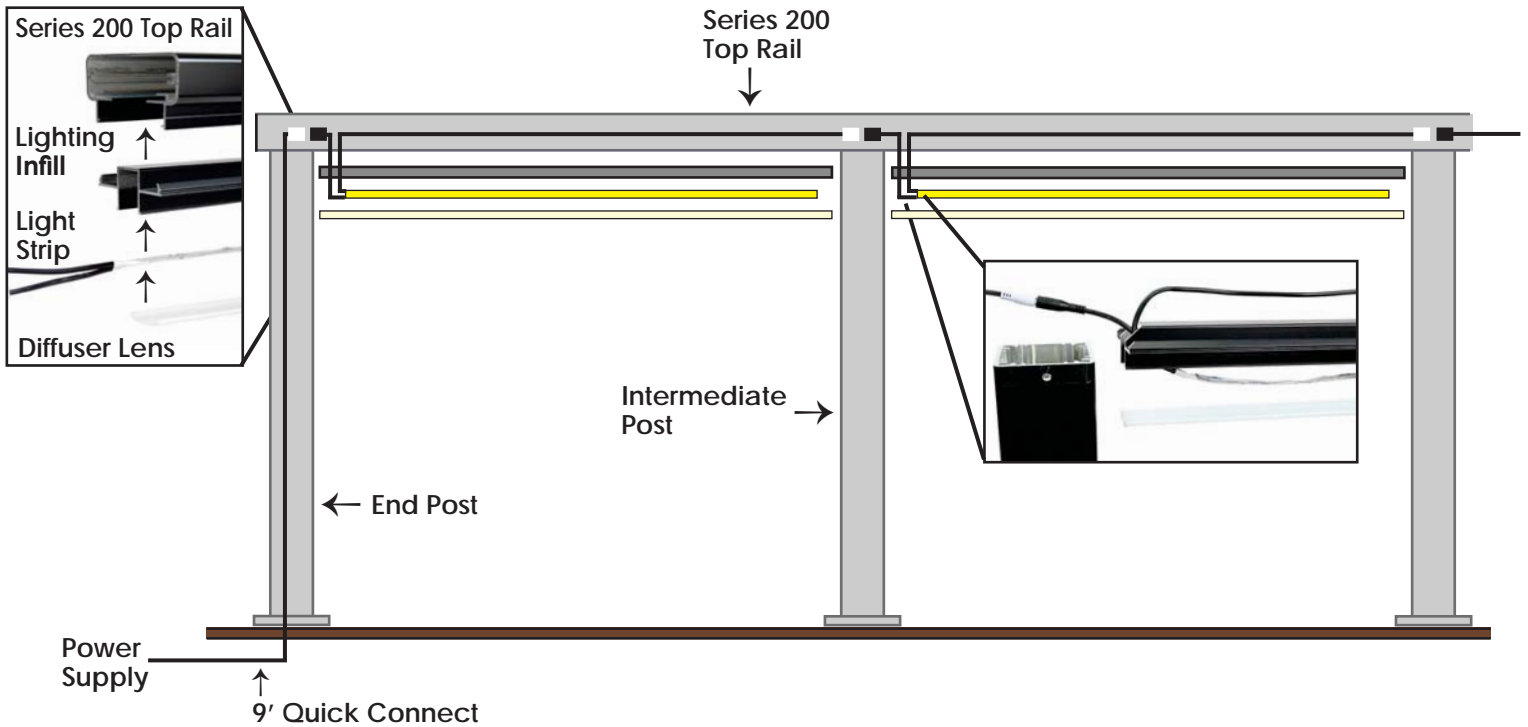


9' Quick Connects

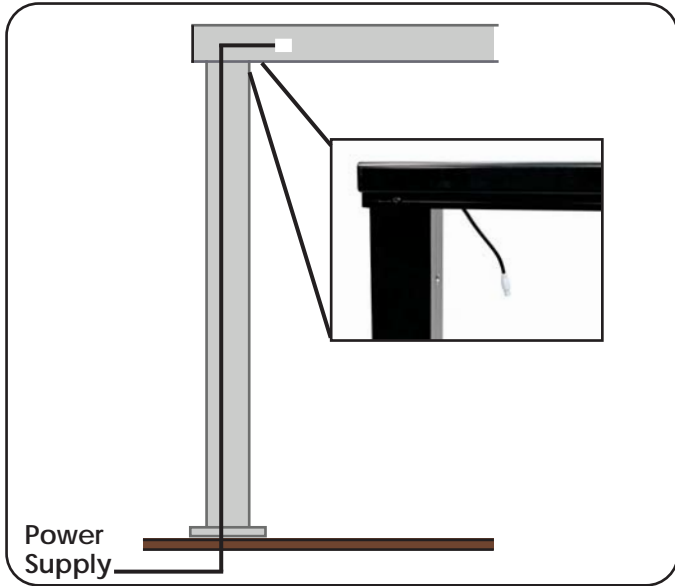


Transformer Kit

RailFX Lighting Overview

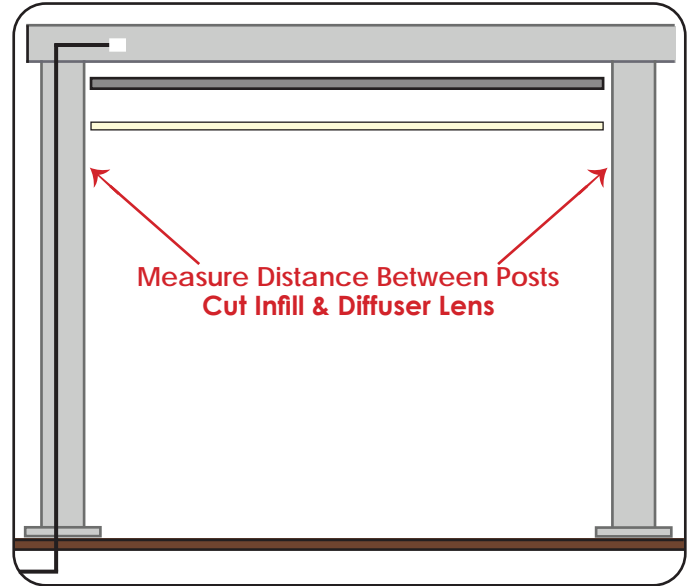


Before beginning to run low voltage wiring, posts and top rail framework must be in place. It is best to install lighting before stainless steel cable infill. This will provide for easier access to run the lighting components. If stainless steel cable infill is in place - Do Not tension the cable railing until lighting is installed.



Step 1: Run Wire Up First Post

Run wiring from the transformer to the first post. Fish the wire up the post so you have access to the white end plug. (It's best to do this during post installation or Top rail will have to be temporarily removed)



Step 2: Cut Infill Components to Size

Measure the distance between posts and cut lighting infill to that length. Ensure the cut for the aluminum infill is made on the end without the 45 degree notch for lighting. The diffuser lens can also be cut to this same length.



Step 3: Cut Strip Light to Length

- A.) Lay Strip Light into lighting infill to determine length of strip Light.
- B.) Strip light can be trimmed down in 2" increments on the non-wired end. (Must be cut on indicated cut line)

It is recommended to leave 2" - 3" between the end of the strip light and the post to avoid "Hot Spots"

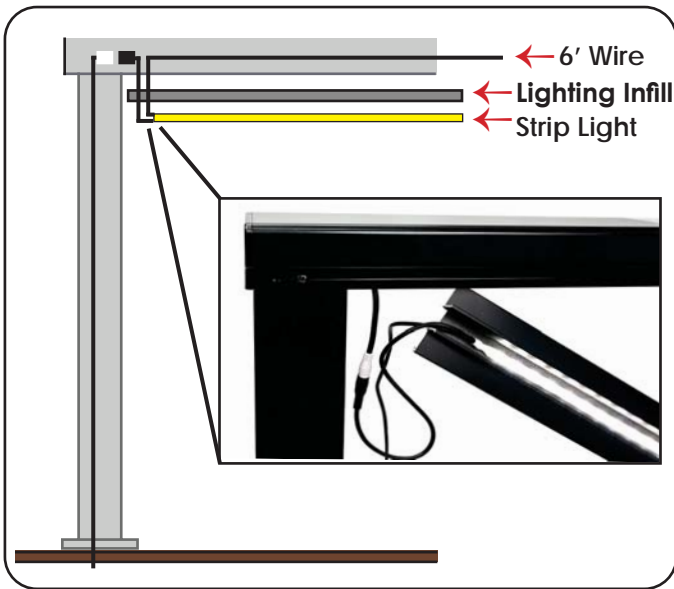


Step 4: Adhere Strip Light to Light Infill

With Strip light trimmed to length, remove backing to expose 3M adhesive. Adhere Strip light to lighting infill. Ensure the lighting infill has been properly cleaned with denatured alcohol and dried for best results.

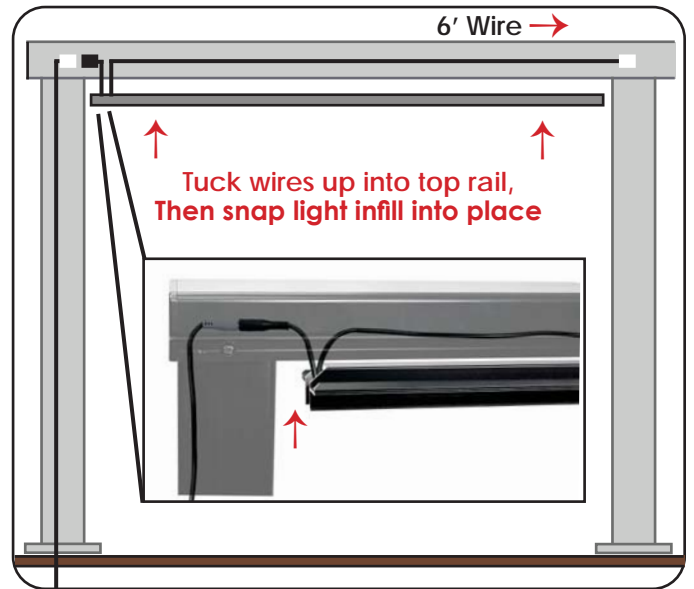
Under Rail Lighting For RailFX Rail

DekPro™ EFFEX LED Low Voltage Lighting Strip



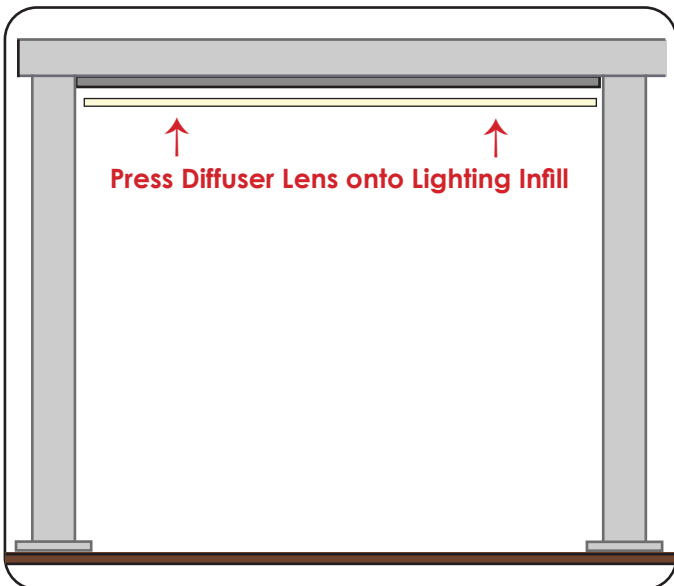
Step 5: Connect Wiring

Connect the shorter 12" wire from the strip light and ensure the lights are working properly once connected with the power source.



Step 6: Snap Lighting Infill into Place

With wires connected and lighting working correctly snap the lighting infill into the bottom side of the top rail. Run the 6' lead wire up and over the flat infill to the next post to continue lighting connections.



Step 7: Snap Diffuser Lens On

The diffuser lens can be snapped onto the lighting infill to complete the light installation. Continue this process until all lights are connected



Finished Look

RailFX™

Aluminum Railing & Cable Systems

Gate Installation





Installation Guide Gate For RailFX Rail

For 36" RailFX™ Aluminum Railing and Cable System

Materials needed for Installation:



45" End Fascia Posts - Pre-Drilled
(x2)



Hinge Set



Latch



Series 200 Top Rail (Top)



Series 200 Top Rail End caps



22405 Cable Kits (x9)



Series 400 Top Rail (Bottom)



Series 400 Top Rail End caps

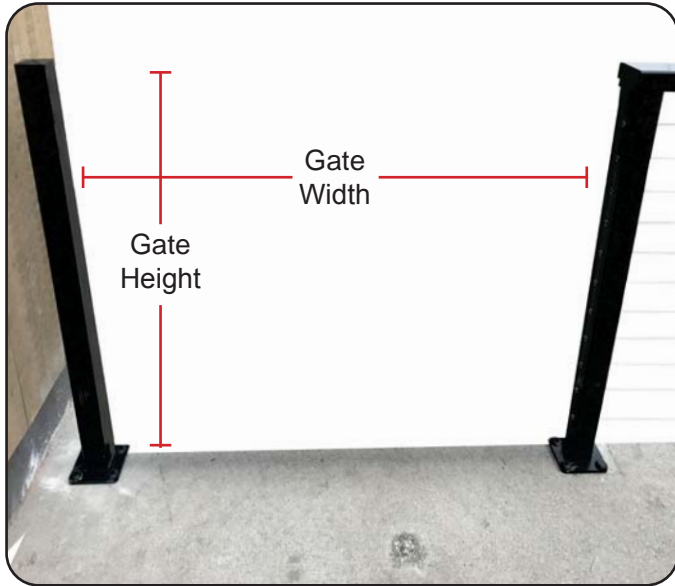
RailFX Gate Overview



It is the responsibility of the installer to meet all code and safety requirements, and to obtain all required building permits. The deck and railing installer should determine and implement appropriate techniques for each installation situation. RailFX™ or its distributors shall not be held liable for improper or unsafe installations.

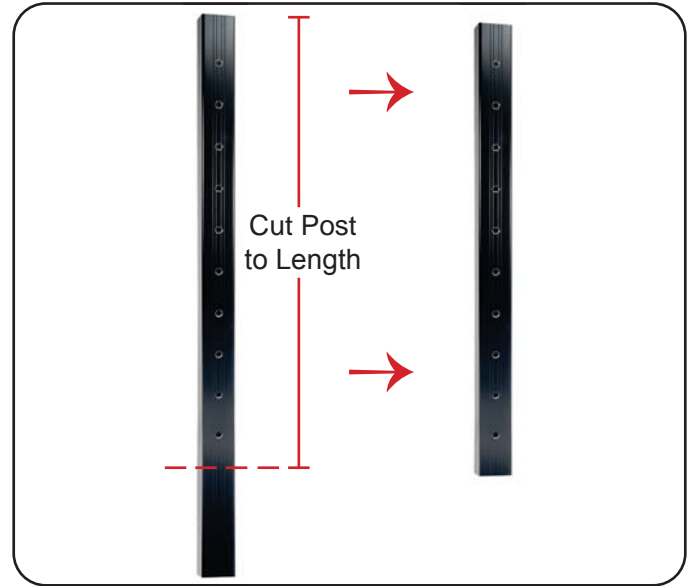
Gate for RailFX Rail

For 36" RailFX™ Aluminum Railing and Cable System



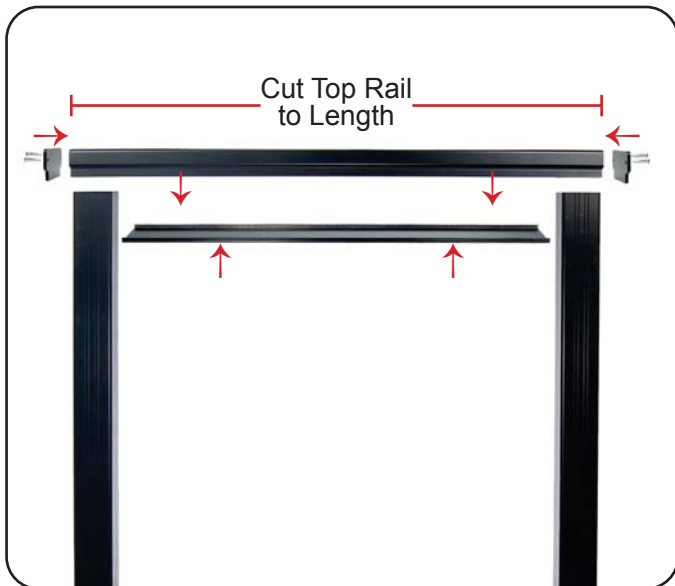
Step 1: Determine Gate Size

Measure the distance between posts to find the gate opening size. (Factor in the distance from bottom rail to surface and leave 1/2" space on each side between the gate and the end post to allow for hinges and latch)



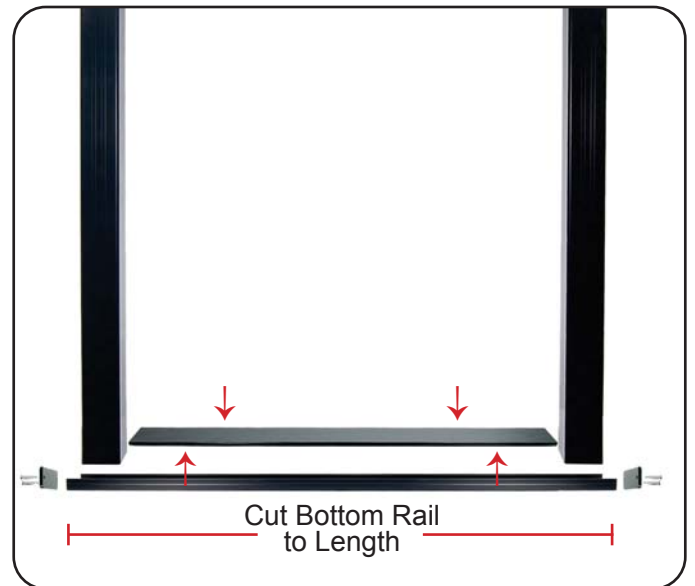
Step 2: Cut Gate End Posts to Size

Gate posts are 45" fascia end posts. Determine the height desired, then cut post to correct length for gate installation. Ensure the pre-drilled holes are centered.



Step 3: Cut Top Rail to Length

After determining the gate width, cut the top rail to proper length. Attach top rail to gate posts using 2 ea. screws on both sides of the post. Then attached top rail end plates. Once attached measure between posts to determine the length of the flat infill piece, cut it to length and snap it into the rail.



Step 4: Cut Bottom Rail to Length

Series 400 top rail can be used for the bottom rail of a gate. Cut the rail to length and attach it to the bottom of the gate posts using 2 ea. screws on both sides of the post to secure it into place. Once attached measure between posts to determine the length of the flat infill piece, cut it to length and snap it into the rail.

Gate for RailFX Rail

For 36" RailFX™ Aluminum Railing and Cable System



Step 5: Cable Infill

With the gate frame complete, install the cable. Typically 9 runs of cable are used for a 36" gate height. Please follow cable railing installation instructions included with the cable kits.



Step 6: Hinge and Latch

With gate completed, attach the hinges and latch as desired. Use hinges with 1" legs to avoid contact with cable fittings in post. *(Keep hinges close to top and bottom of post to maximize strength)*



Completed Gate Assembly
(Latch & Hinge on Opposite Side)

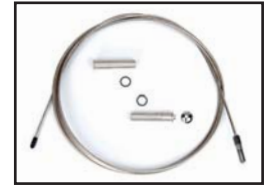
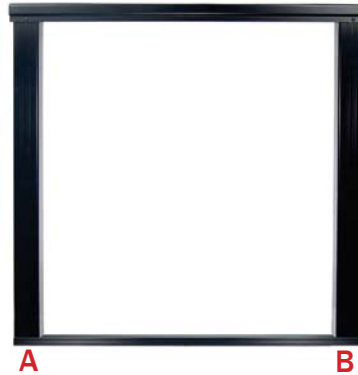
Gate for RailFX Rail Anti-Sag Kit for Gates (Optional)

Cable Anti-Sag Kit for Gate

Step 1: Follow Gate Installation Instructions

Follow gate installation instructions thru Step #4 to get you to this point in the installation where the gate posts and rails are cut to the proper lengths.

** Denote which gate post will have the hinges and which will have the latch. In this example "Gate Post A" will have the hinges and "Gate Post B" will have the latch.*



Cable Anti-Sag Kit Includes:

- 1 - 5' Stainless Steel Cable
- 1 - Tensioning Receiver Fitting
- 1 - Pull-lock Fitting w/ End Cap
- 2 - Washers

Step 2: Locate and Drill Holes for Anti-Sag Cable Kit

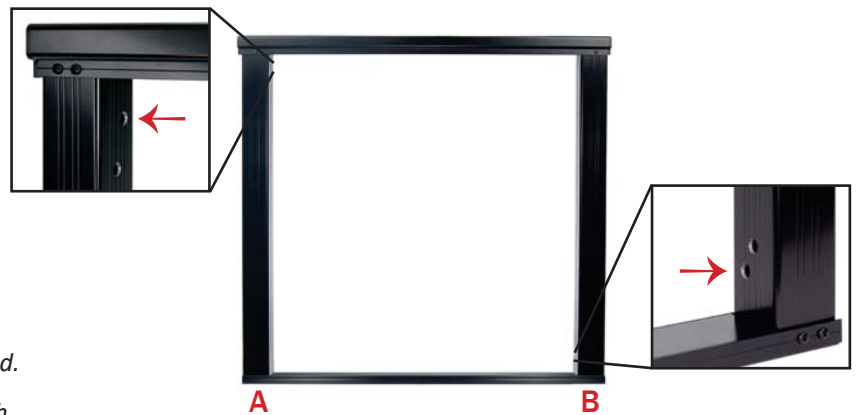
Upright A: Measure down from top rail 1.5" and in from the edge of the post 3/4"

Upright B: Measure up from bottom rail 1.5" and in from the edge of the post 3/4"

Ensure that the holes are drilled in the proper orientation. Either on the front or back side of gate.

** Once location of holes has been noted; Gate can be disassembled for easier post drilling, if desired.*

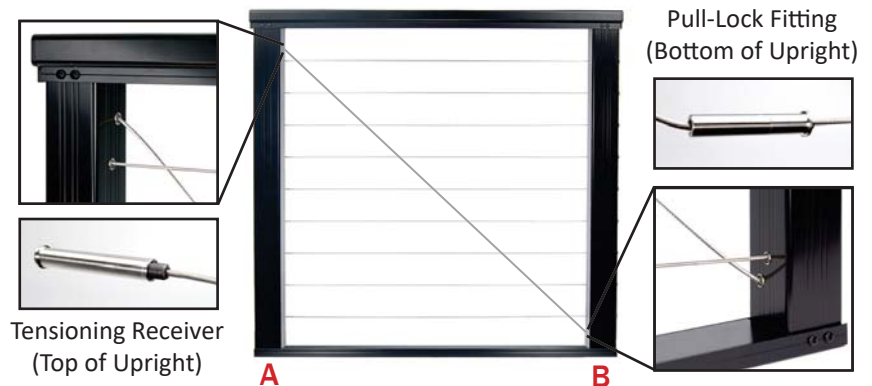
** Tools required: 29/64" drill bit, PI-key, & 3/16" hex wrench*



Step3: Install Cable Anti-Sag Kit

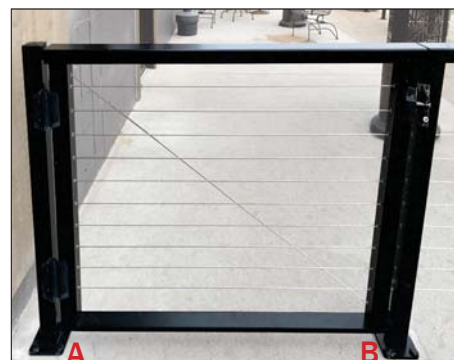
Assemble the gate and install all cables. Turn the cable into the receiver 3-4 threads to engage it into the fitting. Pass the open end of cable through the pull-lock fitting and pull the cable tight. Cut excess cable from pull-lock fitting.

** Tensioning receiver should be used on "Gate Post A" which is the gate post with the hinges.*



Step4: Install Gate and Tension Anti-Sag Cable

Install the gate between posts. Tension the anti-sag cable until the gate sits level between the railings. The anti-sag cable can be tensioned as needed throughout the life of the gate using 3/16" hex wrench.





RailFX™

Aluminum Railing & Cable Systems

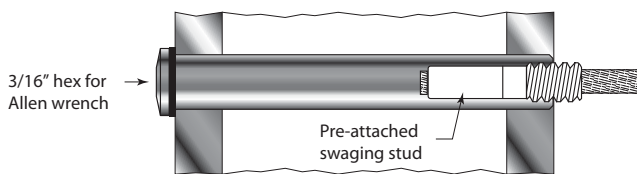
Cable Installation Guide



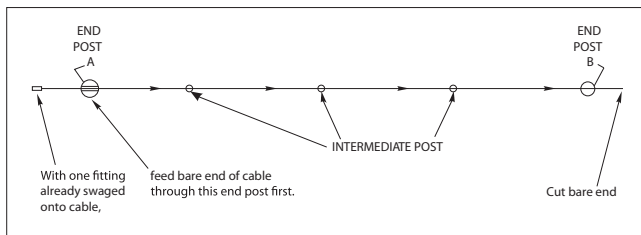
Kit 224 Series Installation Instructions for 2 3/8" Metal Posts



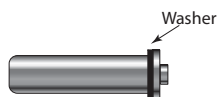
1. Install the tensioning end first with the 2 3/8" long Receiver.
2. Slip the Delrin washer over the body of the Receiver and insert the Receiver into the post.
3. Start the threaded stud attached to the cable into the Receiver and turn 3 complete turns. This will thread about 1/2 of the stud into the Receiver.



4. Run the bare end of the cable through all your intermediate posts and through the end post where you will be installing the Pull-Lock fitting.

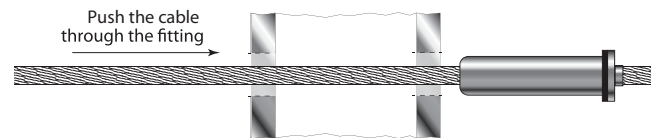


5. Slip the Delrin washer over the body of the Pull-Lock fitting.

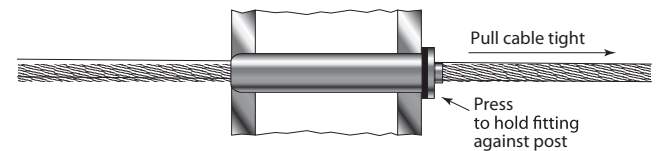


- 6a. Slip the Delrin washer over the body of the Pull-Lock before running cable through the fitting.

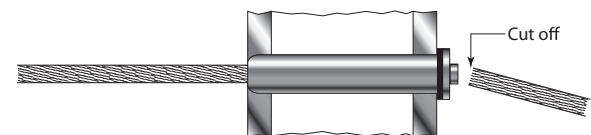
- 6b. Push the cable into the hole in front of the Pull-Lock fitting. Twist the cable in the right hand direction as you push it into the fitting. If the cable begins to "unravel" you are rotating it the wrong way. Push the cable until it is through the fitting.



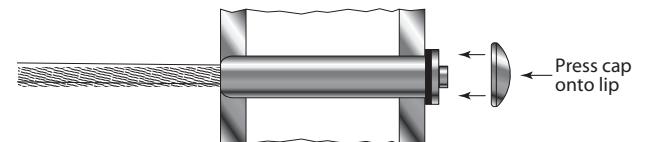
7. Once cable is through the fitting, pull cable while holding the Pull-Lock fitting firmly into the hole in your post. Hold the fitting in place with your hand while pulling the cable through as tightly as you can.



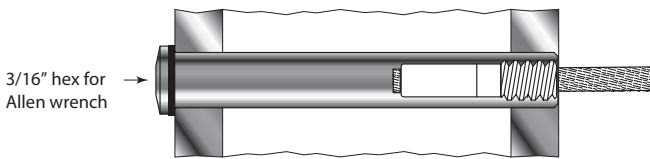
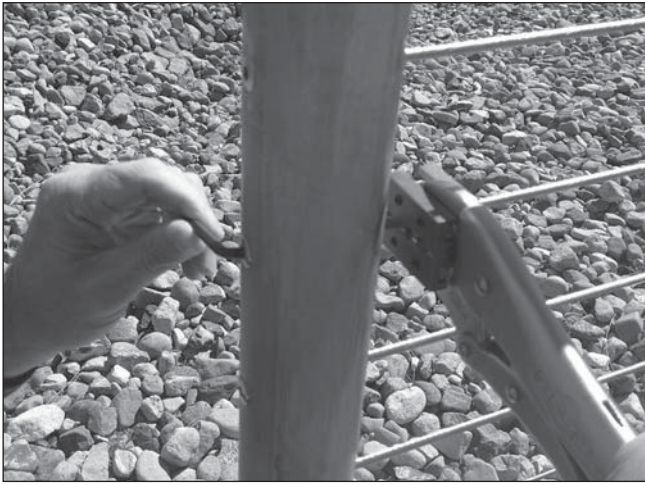
8. Cut the cable flush with the hole in the back of the fitting using a cut-off wheel.



9. Press the cap onto the lip of the Pull-Lock fitting.

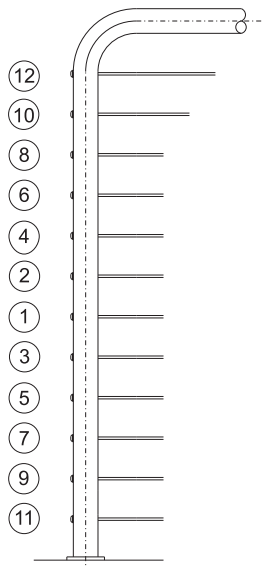


- Go to the other end and tension the cable by holding the cable securely to prevent it from turning while you turn the Receiver with an Allen hex wrench. Be careful to protect the cable from damage while tensioning.



The swaging stud will be pulled into the Receiver by the tensioning.

- Tension in sequence, beginning with the center cable and moving back and forth toward the top and bottom. As you tension each cable, give it a sharp pull downward mid-span to help set the locking wedges in the Pull-Lock fitting. Then re-tension as necessary in the same sequence.



RECOMMENDED TENSIONING SEQUENCE



Cable Railing
By: Ultra-tec.

Please contact ADI with any questions:

Ph: 1-800-335-5909

Web: www.absolutedist.com

Fax: 800-203-4495

Email: sales@absolutedist.com



Marketed and Distributed by:

