



FastenMaster® and PAMFast™ are trademarks of OMG Inc.
Copyright © 2021 OMG Inc. All rights reserved.
OMG Inc., 153 Bowles Road, Agawam, MA 01001
800-518-3569 FastenMaster.com

FMPAMAFMAN (0322)

PAMFast™ AutoFeed System
Owner's Manual

TABLE OF CONTENTS

Safety.....	1
Precautions.....	2
In the Box.....	3-4
Getting to Know Your <i>PAMFast</i> Tool.....	5-6
Setup and Adjustment.....	7-10
Operating Instructions.....	11-12
Parts Diagram.....	13-14
Tips/Common Wear Parts/Cleaning	15-16
Troubleshooting	17-18
Warranty	19-20



Warning

For your safety, read all instructions before use

Safety

- Do not plug into AC outlet or install battery prior to reading.
- Do not operate any *PAMFast* tool without reading and understanding all safety warnings and operating instructions. Failure to abide by the warnings and operating instructions in this manual may result in personal injury, injury to others, or property damage.
- Any screw gun that is supplied with any *PAMFast* tool is not manufactured or warranted by FastenMaster. Screw gun manufacturer warranties, operating instructions, and safety warnings are provided by the manufacturer and must be read and understood prior to operating. Failure to abide by the screw gun manufacturer's safety warnings and operating instructions may result in personal injury, injury to others, or property damage.
- Always disconnect power by unplugging from AC outlet or removing battery prior to performing any adjustments, driver bit changes, maintenance, or repairs.
- Always be aware of job site risks. Active job sites present a number of safety risks, including but not limited to those that may result in trips, falls, cuts, slips, etc. Some job sites present greater hazards than others. The use of appropriate personal protective equipment (PPE) including protective eye-wear, non-slip protective footwear, and protective head-wear is required when using any *PAMFast* AutoFeed tool. Additional PPE may be required depending on the conditions of the job site. Refer to the Occupational Safety and Health Administration (OSHA) or prevailing governing body for a full list of PPE requirements and safety guidelines.
- Always be aware of what lies below the surface. Electrical, gas, and plumbing utilities may present a danger. Never install any fastener prior to assessing potential risks.
- Ensure that all work surfaces are stable, secure, and free from debris that may lead to trips, falls, or other injury.

- Never point or press the tool in the direction of yourself or another person.

Contact FastenMaster at 800-518-3569 with any questions related to the safe operation of the PAMFast tool prior to use.



Precautions:

- Only use genuine *PAMFast* collated fasteners approved for the *PAMFast* AutoFeed tool. The use of any other fastener is not advised and will void the *PAMFast* limited warranty.
- Only use genuine *PAMFast* AutoFeed driver bits approved for the *PAMFast* AutoFeed tool. The use of any other driver bit will result in poor performance and will void the *PAMFast* limited warranty.
- Only use screw guns that are supplied with the *PAMFast* AutoFeed tool or recommended by FastenMaster. The use of any other screw gun may result in poor performance and will void the *PAMFast* limited warranty.
- Always disconnect power prior to loading collated screw strips into the belt guide, replacing driver bits, or performing any adjustments or maintenance.

In the Box:



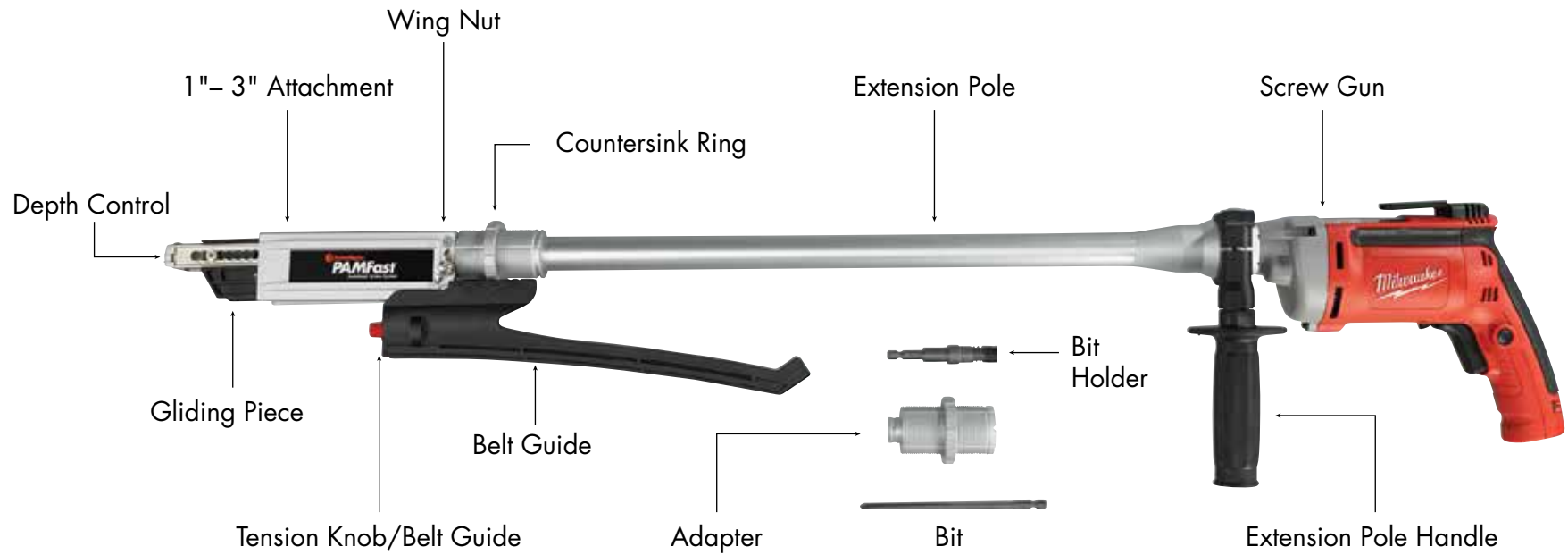
Screw Gun Options:

- SD-20-P13KUE
- SD-20-MAC13KUE
- SD-20-DWC13KUE
- SD-20-DWC13KIT
(motor not included)
- SD-20-MAC13KIT
(motor not included)

Reference Guide:

1. PAMFast Owner's Manual
2. Screw gun manufacturer owner's manual
3. PAMFast AutoFeed tool (fully assembled)
4. Replacement bits & multi-tool
5. Bit holder for short tool
6. Short Tool Adapter

Getting to Know Your PAMFast Tool



Cordless Drill Options:

DeWALT Screw gun



Makita Screw gun



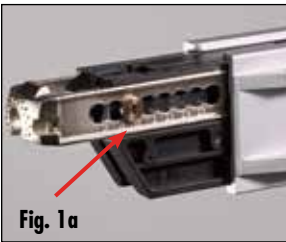
Batteries not included

Corded Drill Option:



Milwaukee Screw gun

1) Screw Size Adjustment for Depth Control



Start by adjusting the *PAMFast* AutoFeed attachment to accommodate the correct screw length. The screw length is always displayed on the side of the box of your genuine *PAMFast* collated screws.

Loosen the shoulder screws on both sides of the Depth Control and slide it to the appropriate setting using the numbers stamped on the Depth Control (Fig 1a).



When appropriately adjusted, the tip of the fastener will be approximately 1/8" inside the face of the nose piece (Fig 1b).

⚠ Note that the screws holding the Depth Control/ Nosepiece have collars so be sure that the collars of the screws sit down in the cutouts of the Depth Control. If they are not fully recessed, the gliding piece will not go back into the housing fully and screw will not countersink.

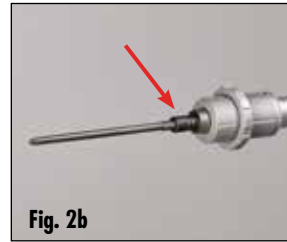
2) Bit Replacement



For smooth operation and to reduce cam-out, FastenMaster recommends replacing drive bits after every 1,000 screws.

- Loosen the Wing Nut on the side of the attachment assembly (Fig 2a).

2) Bit Replacement (continued)



- Remove the attachment assembly to reveal the bit (Fig. 2b).
- Depress the lock collar and remove the bit. After inserting the new bit, release the collar to lock the bit into place.

⚠ Use only genuine PAMFast bits. Every tool comes with one *PAMDrive* bit installed on tool. Additional bits such as Phillips and Torx may be purchased.

- Bit should be approximately the same length as housing.
- Ensure bit type (Phillips, Torx or *PAMDrive*) matches screw recess.

3) Belt Guide Adjustment

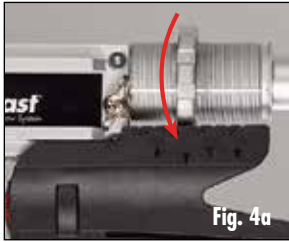


Belt tension on the *PAMFast* AutoFeed tool is preset for 1 3/4" fasteners. Use of alternate size fasteners may require adjustment of the belt tension.

Turn the red Tension Knob clockwise to increase belt tension, or counter-clockwise to reduce belt tension. (Fig 3a).

⚠ Do not overtighten This will prevent the collated screw strip from properly feeding through the belt guide. Proper tension prevents excessive slack in the collated strip and ensures precise advancement of the strip between drives.

4) Countersink Adjustment



Prior to operating the PAMFast AutoFeed tool, ensure that the countersink ring is set to the proper screw length.

- Turn the countersink ring clockwise to increase and counterclockwise to decrease. Each click represents $\frac{1}{64}$ " adjustment to the countersink depth.

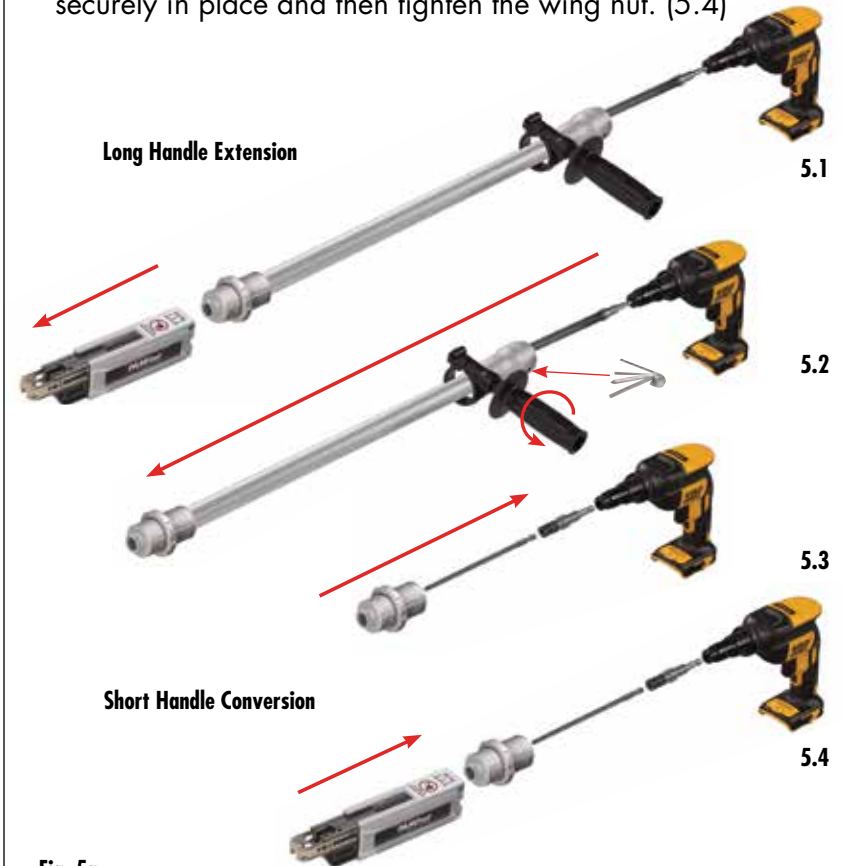
5) Extension (Changing between stand-up tool & short tool)

The extension pole can be removed for applications that require a shorter version of the tool. (Fig 5a)

- Remove the 1-3" attachment from the end of the PAMFast tool by loosening the wingnut and pulling the attachment. (5.1)
- Twist the extension handle counterclockwise to loosen the handle assembly. Slide the handle assembly away from the screw gun motor to expose two hex screws. (5.2)
- Using the 3mm Allen wrench provided with your PAMFast tool, loosen the two hex screws. Use caution when loosening these screws as not to drop them. (5.2)
- Pull the extension pole away from the motor by twisting and pulling simultaneously. The extension pole is designed to require some force to pull away from the motor.
- Remove the inner rod by pulling it away from the motor.
- Insert the drive bit into the short bit holder. (5.2)

Extension (Continued)

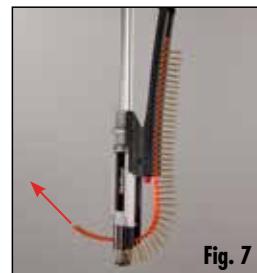
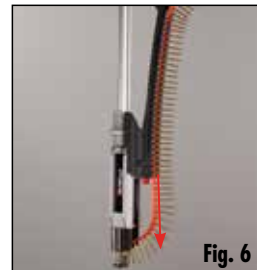
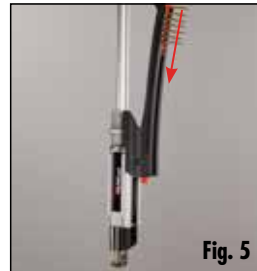
- Remove the drive bit from the end of the extension pole and insert it into the short bit holder. The short bit holder and adapter will replace the inner rod and extension pole respectively. (5.3)
- Slide the 1-3" attachment over the bit until it sets securely in place and then tighten the wing nut. (5.4)



⚠ Warning Improper set up of the PAMFast tool will lead to incorrectly installed screws and could damage the PAMFast tool. Please call 800-518-3569 or visit fastenmaster.com to contact a technical specialist if assistance is needed.

6) Loading Fasteners

- Feed the fastener strip into the belt guide and load into the 1-3" attachment. (Fig 5-6). The fastener strip advances on the down stroke, so the first screw should be one spot prior to the drive position.
- If it is necessary to remove screws from the PAMFast tool, pull the strip forward, not backwards (Fig.7).



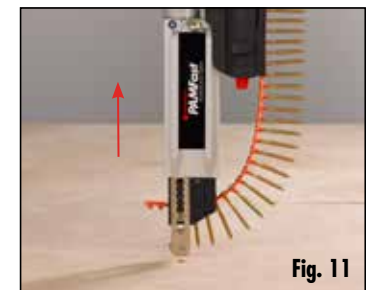
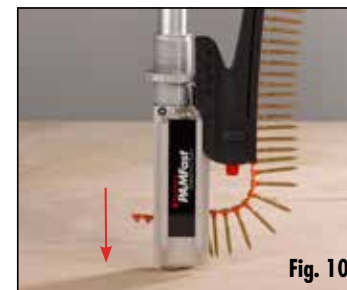
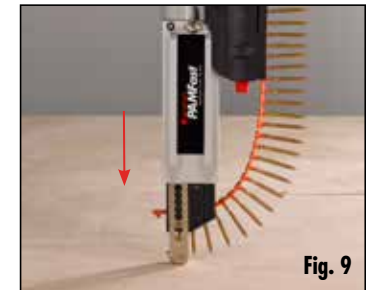
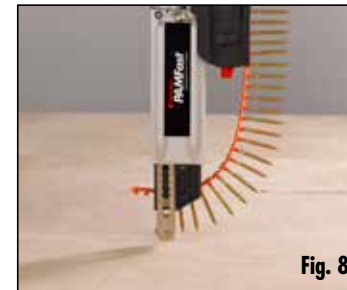
⚠ Warning Only use genuine PAMFast collated screws. Use of any other brand fastener is not advised and will void the limited warranty on your PAMFast tool.

7) Driving Fasteners

- **Confirm that the motor is set to run in the forward direction.** Set the screw gun to "auto on" or "continuous" drive mode. Refer to screw gun manufacturer's operating instructions.
- With the motor running at full speed, apply and maintain continuous pressure to drive the fastener until the drive bit automatically disengages. For proper drive, it is critical that the operator applies continuous pressure to fully depress the nose piece when driving the fastener.
- When driving multiple fasteners consecutively, keep the motor power on between drives. Some screw guns offer an "auto on"

feature. If utilizing this feature the screw gun will automatically turn off between drives and start upon depressing the nose piece. FastenMaster recommends utilizing a continuous drive mode or "auto on" mode when using the PAMFast Autofeed tool.

- Between drives it is critical that the tool is fully lifted from the surface to allow the nose piece to completely recoil. (Fig 8-11)



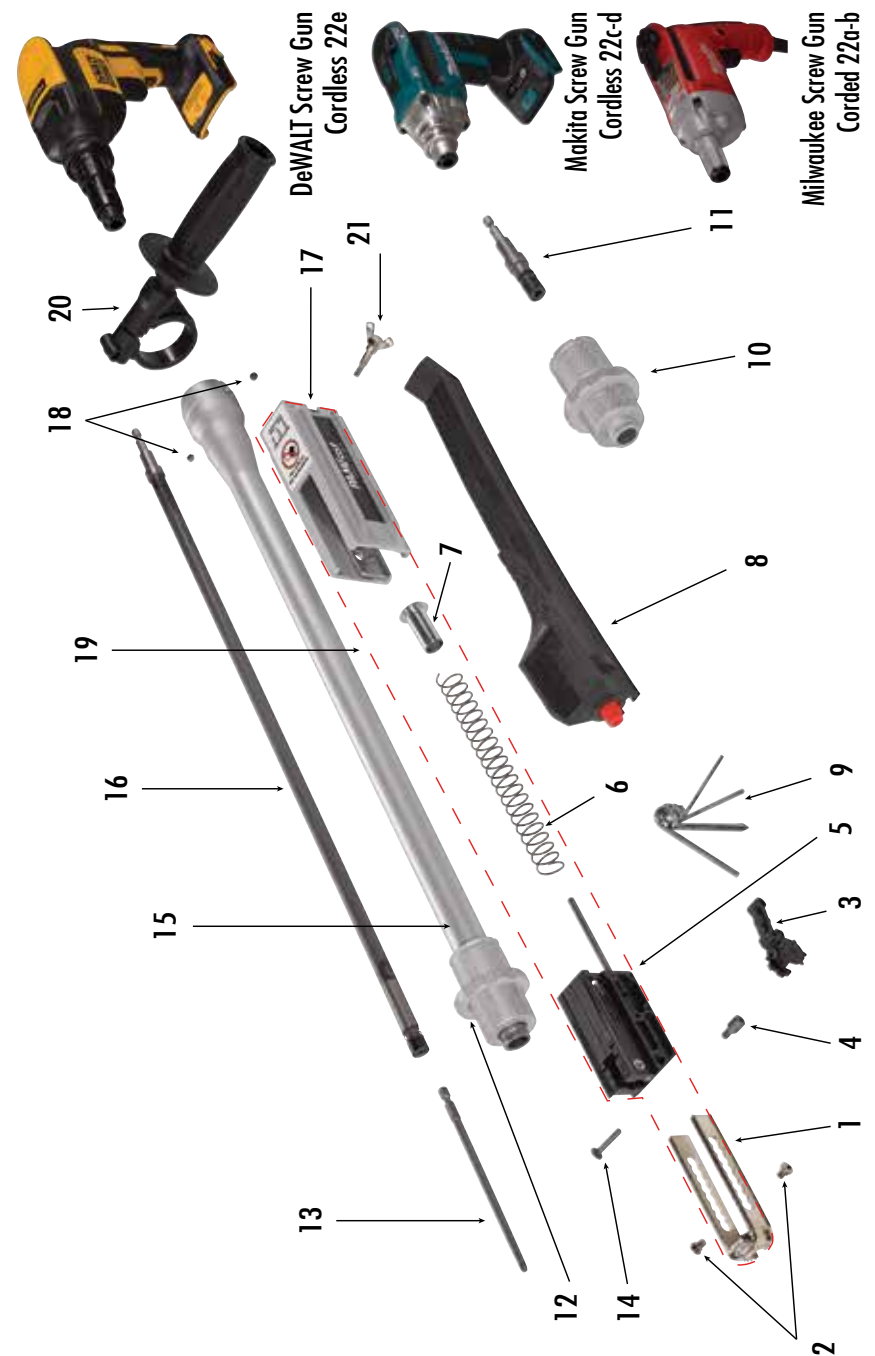
For a video demonstration on how to setup and operate the PAMFast Autofeed tool visit:



Parts Diagram

POS. #	PART #	DESCRIPTION	USED WITH
1	BGS0081	Depth Control 1"- 2"	All 12K Series
1	BGS0083	Depth Control 1"- 3"	All 13K Series
2	KFS0060	Depth Control Screws (2x)	All Screw Guns
3	FXS0008	Gear Wheel Unit	All Screw Guns
4	KFS0004	Screw with Roller	All Screw Guns
5	EXS0070	Gliding Piece	All 12K Series
5	EXS0060	Gliding Piece	All 13K Series
6	NFS0305	Strong Yellow Spring *	All 13K Series
6	NFS0227	Blue Spring	All 12K Series
7	KBS0015	Spring Guide	All Screw Guns
8	DXS0043P	Plastic Belt guide	All Screw Guns
9	BZS0002	Allen Key Set	All Screw Guns
10	BAS0266	Milwaukee Adapter	P12K & P13K Series
10	BAS0270	Adapter-F/Makita FS2200/	MAC13K/ MAC13K4
10	BAS0280	Adapter-F/Dewalt DCF622	DWC13K
11	BDS0012	BH- F/Milwaukee & DeWALT DCF622	P13K & DWC13K Series
11	BDS0068	BH- F/Makita FS4200	MAC13K Series
12	GXS0010	Stop Nut	All Screw Guns
13	BITD2120	#2 x 120mm bit PAM Drive	All 12K Series
13	BITP2120	#2 x 120mm bit Phillips Drive	All 12K Series
13	BITD2140	PD #2X140mm F/P13 Series	All 13K Series
13	BITP2140	PH #2X140mm F/P13 Series	All 13K Series
14	KDS0022	Pin for Gear Wheel Unit	All Screw Guns
15	BHS0218	Ext Pole-Milwaukee	All screw Guns w/ Milwaukee 6740 Motor
15	BHS0219	Ext Pole- Makita FS2200/FS4200	All Screw Guns w/ Makita XFS04 Motor
15	BHS0225	Ext Pole- Dewalt Cordless	All Screw Guns w/ DeWALT DCF622 Motor
16	BHS0208	Inner Rod	All 13K Series
17	CXS0016	Housing Complete w/back plate & curve	All 12K Series
17	CXS0064	Housing Complete w/ back plate & curve	All 13K Series
18	NAS0394	Set Screw (2x)	All 13K Series
19	ABS0044	1" - 2" Blank Attachment	All 12K Series
19	ABS0047	1" - 3" Blank Attachment	All 13K Series
20	BCS0011	Handle	All 13K Series
21	KFS0066	Wing Nut Screw	All Screw Guns
22a	MILW01	Milwaukee 2500 rpm	P12K/P13K/KDE/KUE
22b	MILW02	Milwaukee 4000 rpm	P12K4/P13K4
22c	XSF04Z	Makita 0-2500 rpm Bare Motor	MAC13K Series
22d	XSF03Z	Makita 0-4000 rpm Bare Motor	MAC13K4
22e	DCF622B	Dewalt 0-2000 rpm Bare Motor	DWC13K

Parts Diagram (continued)



Tips/Common Wear Parts

Nose Piece or Depth Control:

Nose Piece or Depth Control naturally wears over time due to constant abrasion of the screws and contact with the surface being screwed down. If the nibs on the front of the nose piece or the fastener channel are worn, the nose piece may be replaced. If it's the channel that is worn, the fastener may drive into the material off vertical, causing countersink problems, jamming, and excessive bit wear.



Gear Wheel:

The gear wheel may wear with use. If the gear wheel is worn, it will either seize or spin freely instead of deliberately advancing from one position to the next. If the gear wheel does not advance properly, it is likely damaged and may need to be replaced. The purpose of the gear wheel is to advance the fastener belt forward but not allow it to roll back during or after the advancing movement.



Spring for the Gliding Piece:

Over time, the spring for the gliding piece may become fatigued. (Refer to part #6 in the Parts Diagram shown on page 14) This may prevent the tool from properly recoiling between drives. If the spring has worn replacement may be necessary.

Cleaning

⚠ Warning: Do Not Use Oil

Oil will hold dirt and interfere with tool operation

- Graphite may be used to lubricate.
- To maintain proper operation of the PAMFast tool, ensure that the gear wheel, inner spring, and gliding piece remain free from debris and obstructions.
- Gliding piece must move freely in the housing. Check periodically for damage. If burrs or obstructions are found, smooth with a file.

Troubleshooting

Symptom	Remedy
Motor turns and bit engages, but screw does not insert or falls to the side when tool is raised	<ul style="list-style-type: none"> • Check that motor reversing switch is in forward position. • Check Depth Control screw setting as it may be too long.
Screw inserts but does not go in all the way	<ul style="list-style-type: none"> • Confirm the bit is the correct length for the attachment. • Check to be sure that collars on the depth control/nose pieces screws are seated correctly (see Set Up, Depth Control Adjustment).
Screw strip falls forward out of belt guide when tool is raised into position	<ul style="list-style-type: none"> • Turn orange knob attached to the front of belt guide to increase tension.
Screw does not countersink properly	<ul style="list-style-type: none"> • Turn countersink adjustment ring until the proper countersink is achieved. • Check bit to be sure it is the right type and length.
Screw tip drags on surface before installation of screw	<ul style="list-style-type: none"> • Screw tip is likely beyond the outside of the Depth Control. Adjust Depth Control until screw tip protrudes halfway into Depth Control Throat.
First few screws advance then the belt stops moving	<ul style="list-style-type: none"> • Loosen tension control on the belt guide to allow movement. • Check gear wheel movement as described under Cleaning and Repair.

Call 800-518-3569 or access fastenmaster.com for a technical specialist if assistance is needed

Troubleshooting (continued)

Symptom	Remedy
Gliding piece will not retract fully into housing on down-stroke	<ul style="list-style-type: none"> • Check that screws holding Depth Control in place are fully seated into cut outs.
Gliding piece jams or is difficult to move in the housing.	<ul style="list-style-type: none"> • Check first that there are no burrs on the front of the housing that are interfering with the movement of the gliding piece. • Check the width of the housing opening to ensure that a bump or blow from something else has not forced the front of the housing inward.
Screw is inserted only part way before bit tip starts to spin in recess.	<ul style="list-style-type: none"> • Maintain constant downward pressure while screw is being inserted. Too little or inconsistent pressure on down-stroke will cause bit tip to lose full contact with screw recess and potentially strip out recess.
Jammed fastener	<ul style="list-style-type: none"> • Stop motor. • Pull screws completely through Gliding Piece. Reinsert in belt guide and gliding piece. • To avoid jamming, be sure motor is running before down stroke begins.
Screw becomes jammed in Depth Control, gliding piece or housing	<ul style="list-style-type: none"> • Remove the fastener and test the tool. Most of time the jam will cause no damage.

Warranty

FastenMaster FrameFAST and PAMFast 3-year limited Warranty:
Effective 04/07/2022:

This warranty applies only to the following FastenMaster products:

FMFFTOOL-T2TP, FMFFTOOL-T2TP-MILC, FMFFTOOL-T2TP-DWC,
FMFFHEAD-P2R, FMFFHEAD-S2P, FMFFHEAD-T2TP, SD-20-P12K,
SD-20-P12K4, SD-20-P13K, SD-20-P13K4, SD-20-P13KUE, SD-20-
MAC13KUE, SD-20-DWC13KUE, (the "Products").

OMG Inc. dba FastenMaster ("FastenMaster") warrants that the Products tool shall be free from defects in materials and workmanship for a period of three (3) years from the date of purchase (the "Warranty Period"). You must notify FastenMaster in writing about any warranty claim within 30 days after you notice a problem. If, after receiving prompt written notice, FastenMaster determines that the Products are not as warranted, FastenMaster will either, at its sole option, (a) repair the failed Product, or (b) replace the failed Product, free of charge. The remedy under this limited warranty is available only for those Products actually exhibiting a manufacturing defect as set forth above. Any repaired or replaced Product will be warranted only for the remainder of the original warranty period. FastenMaster's liability under the terms of this limited warranty will be limited to the direct cost of repairing or replacing the failed Product.

This limited warranty does not apply where the Products have: (a) been subjected to abuse, misuse, neglect, negligence, accident, improper testing, improper installation, improper storage, improper handling, abnormal physical stress, abnormal environmental conditions (including corrosive or aggressive atmospheric conditions such as chemical fumes or direct salt spray), metal dust and shavings, or any use contrary to any instructions issued by FastenMaster; (b) been reconstructed, repaired or altered by persons other than FastenMaster or its authorized representative; (c) been used with any third- party product, hardware or product that has not been previously approved in writing by FastenMaster; or (d) been damaged by other trades or materials substituted for, or used in addition to, the Products. This limited warranty only covers the Products and does not cover any other material obtained from other sources.

Warranty (continued)

This warranty applies only to the original end-use purchaser. Original proof of purchase is required. Proof of purchase must clearly indicate purchase location, purchase date, and purchase price. The purchase date indicated on the original proof of purchase represents the start date of the Warranty Period. For the avoidance of doubt, the screw gun supplied with the Products, as the case may be, is not manufactured by or warranted by FastenMaster.

This limited warranty is exclusive and replaces all other warranties, conditions, representations and guarantees, whether express or implied, whether by statute, at law or in equity, including the implied warranties of merchantability or fitness for a particular purpose. This limited warranty is your exclusive warranty from FastenMaster and represents the sole remedy available to any purchaser of the products. FastenMaster makes no other representations, conditions, guarantees or warranties of any kind other than stated herein. FastenMaster will not be liable in any event for consequential, punitive, special, incidental, or other similar damages of any kind, including damage to the interior or exterior of any building, whether any claim against it is based upon breach of this warranty, negligence, strict liability in tort, or for any other cause. Some jurisdictions do not allow limitations on or the exclusion of incidental or consequential damages, so the above limitations may not apply to you.

For warranty assistance contact FastenMaster at 800-518-3569 or email your request to info@fastenmaster.com.

FastenMaster
153 Bowles Road
Agawam, MA 01001
800-518-3569

