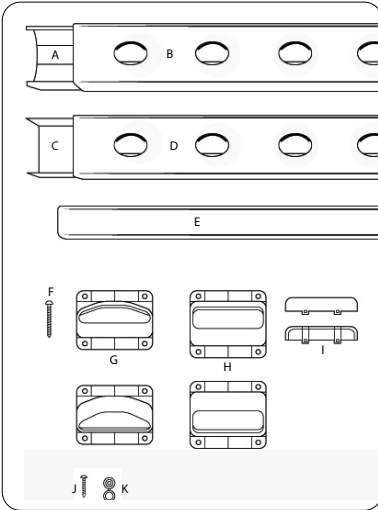


Instructions for Tuscany & Verona | Stair Rail



Component List:

- A) Aluminum Top Insert - 1 - Verona
- B) Vinyl Top Rail 1-1/2" x 3" - 1 - Verona
- C) Aluminum Bottom Insert - 1 - Verona 2 - Tuscany
- D) Vinyl Bottom Rail 2" x 3" - 1 - Verona 2 - Tuscany
- E) Baluster - count varies
- F) 1-1/2" x #8 Bracket Screw - 16
- G) Top Mounting Bracket - 2 - Verona
- H) Bottom Mounting Bracket - 2 - Verona 4 - Tuscany
- I) Bracket Covers - 8
- J) 3/4" x #6 Self Drilling Rail Screw - 8
- K) Hinged Screw Cap - 8

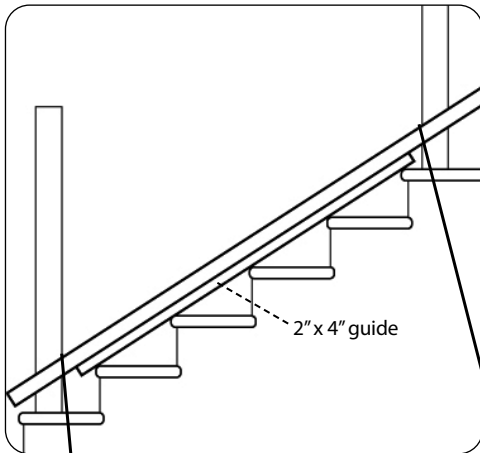
Tools Required:

- Measuring tape
- Pencil
- Drill
- Phillips drive bit
- #2 Square drive bit
- Power miter saw
- 10" 80 tooth carbide blade
- Always wear safety goggles*

Installer is responsible for quality workmanship and meeting all building codes.

MADE IN THE USA

1 Measure Bottom Rail



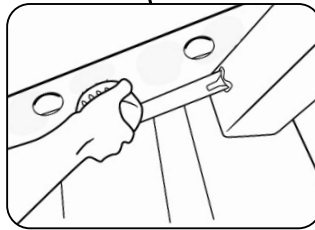
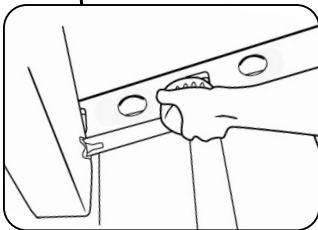
Place a 2" x 4" on the steps – this will be your guide for the bottom rail length and angle of cut.

Place the bottom rail on the 2 x 4.

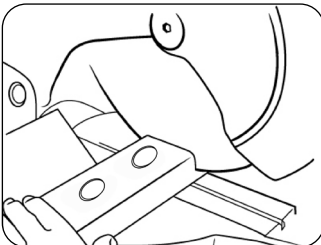
Measure the gap on each end and adjust until this is equal in distance.

This should result in a 1 3/4" gap from bottom rail to leading edge of tread "bullnose".

Draw a line at each end that shows the cut required for each end.

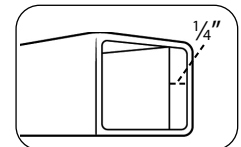


2 Cut Bottom Rail

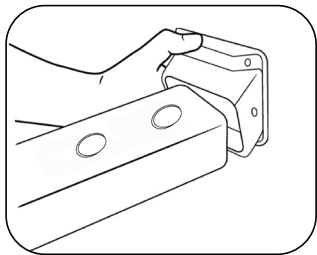


Leave aluminum in while cutting. Make first cut, then slide aluminum 1/4" in from first cut before making second cut.

Shortened aluminum prevents aluminum from scratching posts when installing.



3 *Attach Bottom Rail to Post*

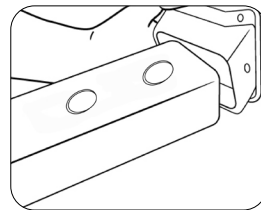


Place rail brackets on ends of bottom rail.

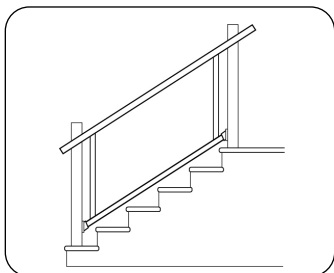
Place bottom rail on 2" x 4" spacer as shown in Step 1 and install bottom rail.

Attach bracket and rail to post. Apply 4 screws per bracket.

Slightly offset bottom rail (1/16") to start securing brackets. Screws will angle into bracket and then will center as tightened.



4 *Measure Top Rail*



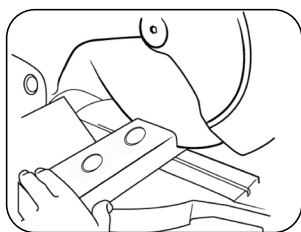
Insert balusters into openings at each end in bottom rail.

Insert balusters into top rail and measure the gap between each baluster on the end.

Make sure the gap dimension is equal on both sides and the bottom rail.

Mark with a pencil the cut line to fit in-between the posts.

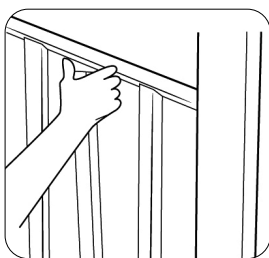
5 *Cut Top Rail*



Leave aluminum in while cutting. Make first cut, then slide aluminum 1/4" in from first cut before making second cut.

Shortened aluminum prevents aluminum from scratching posts when installing.

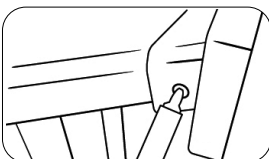
6 *Insert Balusters & Attach Top Rail to Post*



Insert balusters into bottom rail.

Angle balusters away from you. Starting on one end, insert balusters into top rail.

Place brackets on ends of top rail.



Slide rail into position. Be sure aluminum is centered to avoid scratching posts.

Screw brackets to post (See #3).



Place self-drilling screw through hinge cap. Insert cap and screw into side hole of bracket and secure. Make sure self-drilling screw penetrates both vinyl rail and aluminum insert.

Snap button cap until secure. Repeat on all top and bottom rail brackets.

Install bracket covers onto brackets. The same cover fits both top and bottom rail brackets.

